

High Bay Series

High Bay



HB11

Housing:

Heavy Duty Die Cast Aluminum Housing, Chromate Conversion Coating, Electrical Box with Malleable Hook

Reflector:

Anodized Aluminum, Aluminum with White Powdercoat Finish, or Clear Prismatic Acrylic Refractor (Sold Separately)

Lens:

Choice of Flat Tempered Glass Lens with gasket, Acrylic Conical Lens, or Acrylic Drop Lens (Sold Separately).

Aluminum Clampband (Sold Separately).

Socket:

Porcelain 5KV Pulse Rated Mogul Base Socket with Nickel Plated Screw Shell & Adjustable Accessory Bracket

Mounting:

Mount with Included Malleable Hook (Included) or Optional Swivel Pendant Mount & Downrod

Wattage:

High Pressure Sodium: 100 to 400w

Metal Halide: 100 to 400w

Pulse Start: 250 to 400w

Ratings:

CSA: Listed for Dry Locations

Access Fixtures

Kit(s)	Description
HB11	Deluxe High Bay Kit

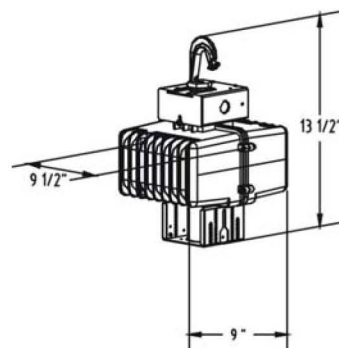
Complete Units
Ordering Information

Example: HB11M400QR16GL

HB11	M	400	Q	R16	G	L
Model	Lamp Type	Watts	Volts	Optics	Options	Lamp
	M=Metal Halide	MH/HPS	Q= Quad	R16= 16"	D= Acrylic Drop Lens	L= Lamp Included
	H=High Pressure Sodium	100	(120/208/240/277V)	Aluminum Reflector	G= Glass Lens	
	P=Pulse Start	150	48= 480V	R22= 22"	O= Open-Rated Lamp	
		175		Aluminum Reflector		
		250		C16=16"		
		400		Acrylic Refractor		
		PS		22"		
		250		Acrylic Refractor		
		320				
		350				
		400				

Other Wattages & Custom Colors Available Upon Request.

Dimensions



HB11

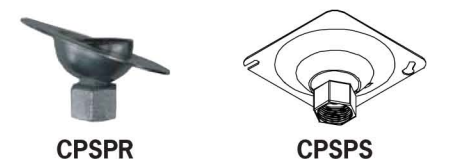
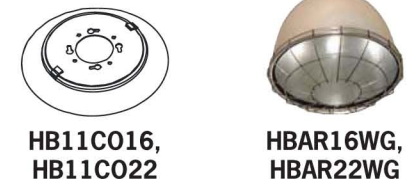
Access Fixtures
40 Jackson Street
Worcester, MA 01608
888-521-2582
sales@accessfixtures.com
www.AccessFixtures.com

Access Fixtures

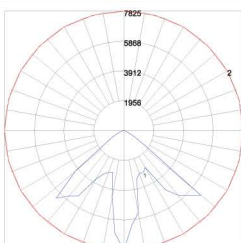
High Bay Series

High Bay

Catalog #	Description
HB11AR16*	16" Reflector
HB11AR22*	22" Reflector
*White Reflectors: Add W to End of Above Part Numbers	
HBARF22	22" Faceted Reflector
HBARF22GL	22" Hinged Glass Lens for HBARF22
HBACR16	16" Acrylic Refractor
HBACR22	22" Acrylic Refractor
HBDL16	16" Acrylic Drop Lens
HBDL22	22" Acrylic Drop Lens
HBCL16	16" Acrylic Conical Lens
HBCL22	22" Acrylic Conical Lens
HBGL16	16" Flat Glass Lens & Gasket
HBGL22	22" Flat Glass Lens & Gasket
HBCB16	16" Clampband
HBCB22	22" Clampband
HB11CO16	Collar for 16" Acrylic Refractors, White Powdercoat Steel
HB11CO22	Collar for 22" Acrylic Refractors, White Powdercoat Steel
HBAR16WG	Wire Guard for 16" Reflector
HBAR22WG	Wire Guard for 22" Reflector
CPMH1	3/4" NPT Malleable Hook with Screw
LBSB	Low Bay Socket Bracket
CPCS1633	Cord Set, Blunt Cut, 3', 16/3 600V STW Cord
CPCS16310P110	Cord Set, 3-Prong Polarized, 10' Cord
CPCS1633P120	Cord Set 120v Twist-Lock L5-15P Plug, 3' Cord
CPCS1633P240	Cord Set 240v Twist-Lock L6-15P Plug, 3' Cord
CPCS1633P277	Cord Set 277v Twist-Lock L7-15P Plug, 3' Cord
CPSPR	Swivel Pendant Mount - Round, for Angled or Straight Ceilings, Fits 3/4" Conduit, Includes Reducer Bushing (to 1/2") & Set Screw
CPSPS	Swivel Pendant Mount - Square, for Angled or Straight Ceilings, Fits 3/4" Conduit, Includes Reducer Bushing (to 1/2") & Set Screw

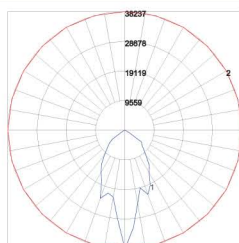


Photometrics



Maximum Candela = 7824.02 Located At Horizontal Angle = 0, Vertical Angle = 0
1 - Vertical Plane Through Horizontal Angles (0 - 180) (Through Max. Cd.)
2 - Horizontal Cone Through Vertical Angle (0) (Through Max. Cd.)

HB11AR16MH250



Maximum Candela = 26237.47 Located At Horizontal Angle = 0, Vertical Angle = 0
1 - Vertical Plane Through Horizontal Angles (0 - 180) (Through Max. Cd.)
2 - Horizontal Cone Through Vertical Angle (0) (Through Max. Cd.)

HB11AR22MH400

Access Fixtures
40 Jackson Street
Worcester, MA 01608
888-521-2582
sales@accessfixtures.com
www.AccessFixtures.com