

High Bay Series

Low Bay



**LB20
with Reflector & Drop Lens**

Housing:

Heavy Duty Die Cast Aluminum Housing, White Powdercoat Finish Over Chromate Conversion Coating, Electrical Box with Malleable Hook

Reflector:

Anodized Aluminum, Aluminum with White Powdercoat Finish, or Clear Prismatic Acrylic Refractor (Sold Separately)

Lens:

Choice of Flat Tempered Glass Lens with Gasket, Acrylic Conical Lens, or Acrylic Drop Lens (Sold Separately).

Aluminum Clampband (Sold Separately).

Socket:

5 KV Pulse Rated Mogul Base Socket with Nickel Plated Screw Shell & socket plate

Mounting:

Mount with Included Malleable Hook (Included) or Optional Swivel Pendant Mount & Downrod

Wattage:

High Pressure Sodium: 100 to 400w

Metal Halide: 100 to 400w

Pulse Start: 250 to 400w

Ratings:

CSA: Listed for Dry Locations

Access Fixtures
40 Jackson Street
Worcester, MA 01608
888-521-2582
sales@accessfixtures.com
www.AccessFixtures.com

Access Fixtures

Kit(s)

Catalog # Description

LB20	Low Bay Kit
------	-------------

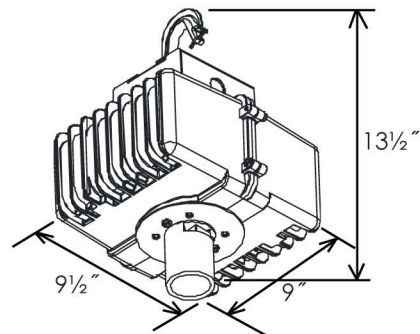
Complete Units
Ordering Information

Example: LB20M400QR16GL

LB20	M	400	Q	R16	G	L
Model	Lamp Type	Watts	Volts	Optics	Options	Lamp
	M=Metal Halide	<u>MH/HPS</u> 100	Q= Quad (120/ 208/ 240/ 277V)	R16= 16" Aluminum Reflector	D= Acrylic Drop Lens	L= Lamp Included
	H=High Pressure Sodium	150	48= 480V	R22= 22" Aluminum Reflector	G= Glass Lens	
	P=Pulse Start	250	<u>PS</u> 250	C16=16" Acrylic Refractor	O= Open- Rated Lamp	
		320		C22= 22" Acrylic Refractor		
		350				
		400				

Other Wattages & Custom Colors Available Upon Request.

Dimensions



LB20

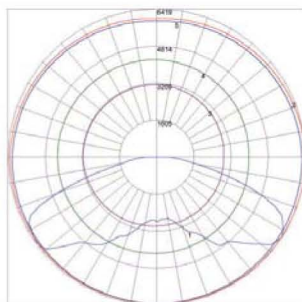
Access Fixtures

High Bay Series

Low Bay

Catalog #	Description
HB11AR16*	16" Reflector
HB11AR22*	22" Reflector
*White Reflectors: Add W to End of Above Part Numbers	
HBACR16	16" Acrylic Refractor
HBACR22	22" Acrylic Refractor
HBDL16	16" Acrylic Drop Lens
HBDL22	22" Acrylic Drop Lens
HBCL16	16" Acrylic Conical Lens
HBCL22	22" Acrylic Conical Lens
HBGL16	16" Flat Glass Lens & Gasket
HBGL22	22" Flat Glass Lens & Gasket
HBCB16	16" Clampband
HBCB22	22" Clampband
HB11CO16	Collar for 16" Acrylic Refractors, White Powdercoat Steel
HB11CO22	Collar for 22" Acrylic Refractors, White Powdercoat Steel
HBAR16WG	Wire Guard for 16" Reflector
HBAR22WG	Wire Guard for 22" Reflector
CPMH1	3/4" NPT Malleable Hook with Screw
LBSB	Low Bay Socket Bracket
CPCS1633	Cord Set, Blunt Cut, 3', 16/3 600V STW Cord
CPS16310P110	Cord Set, 3-Prong Polarized, 10' Cord
CPCS1633P120	Cord Set 120v Twist-Lock L5-15P Plug, 3' Cord
CPCS1633P240	Cord Set 240v Twist-Lock L6-15P Plug, 3' Cord
CPCS1633P277	Cord Set 277v Twist-Lock L7-15P Plug, 3' Cord
CPSPR	Swivel Pendant Mount - Round, for Angled or Straight Ceilings, Fits 3/4" Conduit, Includes Reducer Bushing (to 1/2") & Set Screw
CPSPS	Swivel Pendant Mount - Square, for Angled or Straight Ceilings, Fits 3/4" Conduit, Includes Reducer Bushing (to 1/2") & Set Screw

Photometrics



Maximum Canable = 8418.5 Located At Horizontal Angle = 0, Vertical Angle = 37.5
 #1 - Vertical Plane Through Horizontal Angle (0° - 180°) (Through Max. Cd)
 #2 - Horizontal Plane Through Vertical Angle (37.5°) (Through Max. Cd)
 #3 - Horizontal Plane Through Vertical Angle (15°)
 #4 - Horizontal Plane Through Vertical Angle (30°)
 #5 - Horizontal Plane Through Vertical Angle (60°)

LB20AR16MH400AC



Access Fixtures
 40 Jackson Street
 Worcester, MA 01608
 888-521-2582
sales@accessfixtures.com
www.AccessFixtures.com

Option availability is subject to change without notice.