

## Wall Pack Series

### Acclaim Wall Pack Half-Cutoff Frame



**WPR40HC**

#### Housing:

15" Diameter Die Cast Aluminum Housing & Half-Cutoff Top Frame, 1/2" Coin Plugs with O-rings for Conduit & Photocell, Textured Powdercoat Finish Over a Chromate Conversion Coating

#### Reflector:

White Powdercoat Steel Reflector

#### Lens:

Clear Prismatic Molded or Frost Prismatic Molded Borosilicate Glass Lens

#### Socket:

HID: Porcelain 4 KV Pulse Rated Mogul Base Socket or 5 KV Pulse Rated Mogul Socket with Nickel Plated Screw Shell, Adjustable Socket Bracket  
PL: Plug-In Type, GX24Q-4

#### Mounting:

Cast-in Template for Mounting Directly Over a 4" Recessed Outlet Box, or use 1/2" Surface Conduit.

#### Wattage:

High Pressure Sodium: 35 to 150w

Metal Halide: 70 to 175w

Pulse Start: 175w

Compact Fluorescent: 1 x 26 to 42w,

2 x 26 to 42w

#### Listings & Ratings:

CSA: Listed for Wet Locations

Add: PC1 120V Photocell (Field Installed)

PC2 208-277V Photocell (Field Installed)

QRS Quartz Restrike Module

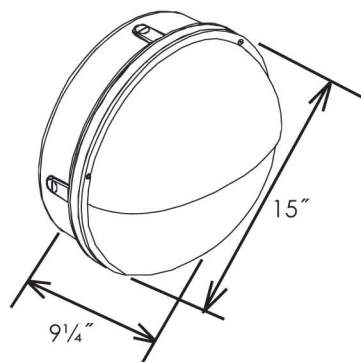
Access Fixtures  
40 Jackson Street  
Worcester, MA 01608  
888-521-2582  
sales@accessfixtures.com  
www.AccessFixtures.com

# Access Fixtures

Kit(s)				
Catalog #	Description			
WPR40HC*□◇	Acclaim Wall Pack, Open Frame, HID Kit			
WPR40HCF*□◇	Acclaim Wall Pack, Open Frame, Fluorescent Kit			
* Specify Socket: MD= Medium, MG=Mogul				
□ Specify Color: BZ=Bronze, WH=White, BK=Black				
◇ Specify Lens: C=Clear, F=Frost				
Complete Units (Lamps Included)				
Catalog #	Wattage	Voltage	Lamp	Ballast
WPR40HCH35R120L □◇	35	120	HPS	R-NPF
WPR40HCH50R120L □◇	50	120	HPS	R-NPF
WPR40HCH70R120L □◇	70	120	HPS	R-NPF
WPR40HCH100R120L □◇	100	120	HPS	R-NPF
WPR40HCH150R120L □◇	150	120	HPS	R-NPF
WPR40HCH50DL □◇	50	120/277	HPS	HX-HPF
WPR40HCH70QL □◇	70	Quad	HPS	HX-HPF
WPR40HCH100QL □◇	100	Quad	HPS	HX-HPF
WPR40HCH150QL □◇	150	Quad	HPS	HX-HPF
WPR40HCM70QL □◇	70	Quad	MH	HX-HPF
WPR40HCM100QL □◇	100	Quad	MH	HX-HPF
WPR40HCM150QL □◇	150	Quad	MH	HX-HPF
WPR40HCM175QL □◇	175	Quad	MH	CWA
WPR40HCP175QL □◇	175	Quad	PS	CWA
WPR40HCF26EL □◇	1 x 26	120-277	PL	Electronic
WPR40HC32EL □◇	1 x 32	120-277	PL	Electronic
WPR40HCF42EL □◇	1 x 42	120-277	PL	Electronic
WPR40HCF52EL □◇	2 x 26	120-277	PL	Electronic
WPR40HCF64EL □◇	2 x 32	120-277	PL	Electronic
WPR40HCF84EL □◇	2 x 42	120-277	PL	Electronic
□ Specify Color: BZ=Bronze, WH=White, BK=Black				
◇ Specify Lens: C=Clear, F=Frost				

Other Wattages & Custom Colors Available Upon Request.

#### Dimensions



**WPR40HC**

# Access Fixtures

Catalog #	Description
WPR40GLC	Clear Prismatic Molded Borosilicate Glass Lens
WPR40GLF	Frosted Prismatic Molded Borosilicate Glass Lens
3EBBE	Battery Backup Pack, 120 or 277V

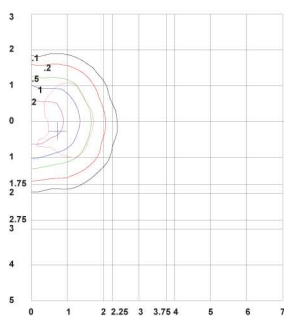
## Wall Pack Series

### Acclaim Wall Pack Half-Cutoff Frame



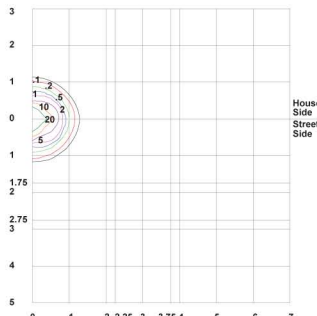
**WPR40GLC,  
WPR40GLF**

## Photometrics



Distance In Units Of Mounting Height  
Values Based On 10 Foot Mounting Height  
1/2 Maximum Candela Trace Shown As Dashed Curve

**WPR40HCF84EL**



Distance In Units Of Mounting Height  
Values Based On 10 Foot Mounting Height

**WPR40HCM175**

Access Fixtures  
40 Jackson Street  
Worcester, MA 01608  
888-521-2582  
sales@accessfixtures.com  
www.AccessFixtures.com