

## Wall Pack Series

### 12" Square Wall Pack



**WPS30**

**Housing:**

Die Cast Aluminum Housing & Front Frame with Hood, 1/2" Coin Plugs with O-rings for Conduit & Photocell, Textured Architectural Bronze Powdercoat Finish Over a Chromate Conversion Coating

**Reflector:**

Aluminum Reflector

**Lens:**

Polycarbonate Prismatic Lens

**Socket:**

HID: Porcelain 4KV Pulse Rated Mogul Base Socket with Nickel Plated Screw Shell

PL: Plug-In Type, GX24Q-4

**Mounting:**

Mount Over a 4" Recessed Outlet Box, or use 1/2" Surface Conduit.

**Wattage:**

High Pressure Sodium: 35 to 150w

Metal Halide: 50 to 175w

Pulse Start: 175w

Compact Fluorescent: 1 x 26 to 42w,

2 x 26 to 42w

**Listings & Ratings:**

CSA: Listed for Wet Locations

# Access Fixtures

**Kit(s)**

Catalog #	Description
WPS30	12" Square Wall Pack, HID Kit
WPS30F1	12" Square Wall Pack, Fluorescent Kit, Single Lamp
WPS30F2	12" Square Wall Pack, Fluorescent Kit, Twin Lamp

**Complete Units (Lamps Included)**

Catalog #	Wattage	Voltage	Lamp	Ballast
WPS30H35R120L	35	120	HPS	R-NPF
WPS30H50R120L	50	120	HPS	R-NPF
WPS30H70R120L	70	120	HPS	R-NPF
WPS30H100R120L	100	120	HPS	R-NPF
WPS30H150R120L	150	120	HPS	R-NPF
WPS30H50DL	50	120/277	HPS	HX-HPF
WPS30H70QL	70	Quad	HPS	HX-HPF
WPS30H100QL	100	Quad	HPS	HX-HPF
WPS30H150QL	150	Quad	HPS	HX-HPF
WPS30M50DL	50	120/277	MH	HX-HPF
WPS30M70QL	70	Quad	MH	HX-HPF
WPS30M100QL	100	Quad	MH	HX-HPF
WPS30M150QL	150	Quad	MH	HX-HPF
WPS30M175QL	175	Quad	MH	CWA
WPS30P175QL	175	Quad	PS	CWA
WPS30F26EL	1 x 26	120-277	PL	Electronic
WPS30F32EL	1 x 32	120-277	PL	Electronic
WPS30F42EL	1 x 42	120-277	PL	Electronic
WPS30F52EL	2 x 26	120-277	PL	Electronic
WPS30F64ELD	2 x 32	120-277	PL	Electronic
WPS30F84ELD	2 x 42	120-277	PL	Electronic

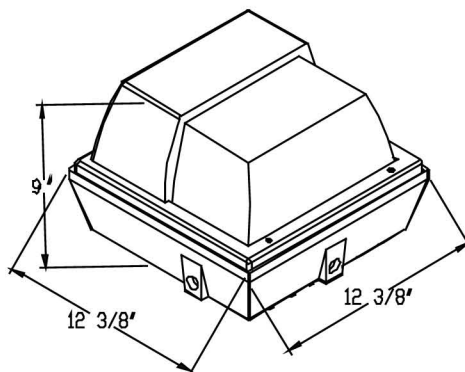
Add: PC1 120V Photocell (Field Installed)

PC2 208-277V Photocell (Field Installed)

QRS Quartz Restrike Module

Other Wattages & Custom Colors Available Upon Request.

**Dimensions**



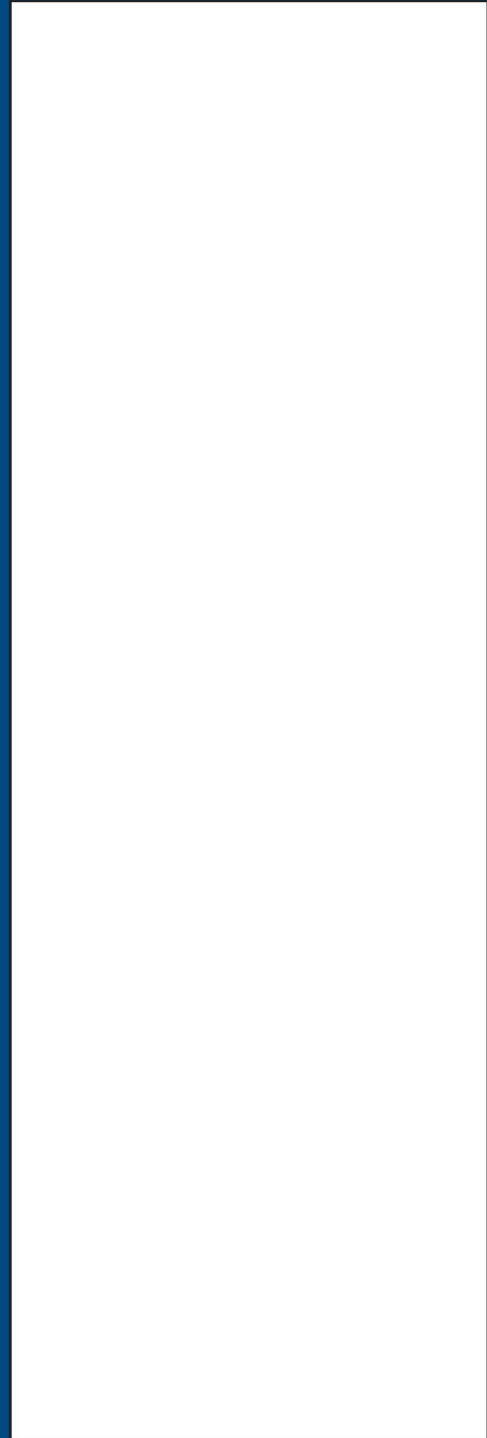
**WPS30**

Access Fixtures  
 40 Jackson Street  
 Worcester, MA 01608  
 888-521-2582  
 sales@accessfixtures.com  
 www.AccessFixtures.com

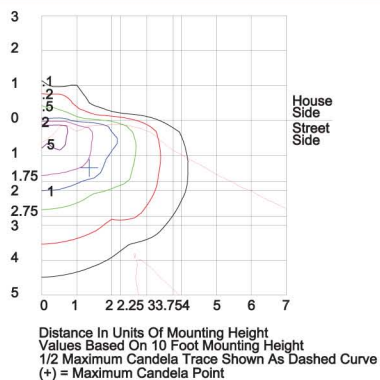
# Access Fixtures

Wall Pack Series

12" Square Wall Pack



## Photometrics



**WPS30M175**

Access Fixtures  
40 Jackson Street  
Worcester, MA 01608  
888-521-2582  
sales@accessfixtures.com  
www.AccessFixtures.com

Option availability is subject to change without notice.