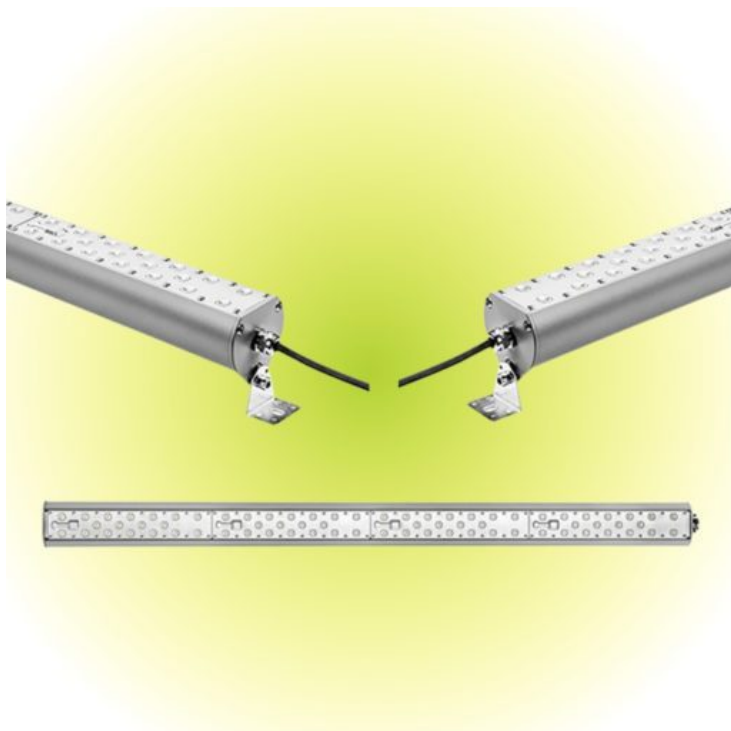


EPTA 120 No UV - No Light Below 450nm Linear LED Light - 120-277v



SKU: AF72XBCA120-NoUV

Product Tags: [No UV](#)

Product Page: <https://www.accessfixtures.com/p/120-no-uv-linear-led-light/>

Product Description

EPTA 120 No UV - No Light Below 450nm Linear LED Light - 120-277v is a linear fixture for commercial and industrial use.

No UV - No Light Below 450nm: This fixture utilizes broad spectrum no-UV technology for no UV light or degradation EVER.

Choice of Optics and Flicker Free: Flicker free, and available in fourteen different choices of optics including glare-free diffuser.

IP67 for Clean Rooms: This linear fixture is sealed completely and IP67 rated for

clean rooms.

EPTA 120 No UV - No Light Below 450nm Linear LED Light - 120-277v

Features:

- 120 system watts - Die-cast aluminum housing - 120-277v - Up to 7,150 lumens - 50,000 L70 hours - IP67/UL/ CUL/ DLC/ LM79/ CB/ CE/ SAA/ RoHS / IK10 - Controls-ready - 4 modules - 5 year warranty

Light Below 450nm Linear LED Light - 120-277v Options:

- Black, White, Bronze or Gray - Fourteen options for optics and light distribution - Surface, knuckle, or wire mount - Choice of surge protection - Optional photocell - Extra length for power cord - Vandal resistant screws - Marine grade finish
- Access Fixtures Warranty

Access Fixtures is proud to assemble high quality, long lasting lighting products which are covered by a 5-year warranty. In accordance with our warranty policy, we will offer repair, replacement, or refund for qualifying claims. Please contact our friendly customer service team, located in Worcester, MA, to address any questions or concerns you may have. We can be reached at 800-468-9925 Monday-Friday 9-5 EST or via email at sales@accessfixtures.com. Click here to view Access Fixtures' [complete warranty policy](#). Need a Photometric Analysis for Your Project?

A photometric analysis is a computer simulation of a particular project. Whether using these fixtures to illuminate a parking lot, athletic field, rail yard, dock, or something else entirely, a photometric analysis is an easy way to quantify your light levels before making a big purchase. This service will provide average footcandles, max/min (uniformity) ratios, minimum footcandles, light trespass levels, and more. When the report(s) are generated, a lighting specialist will walk you through them, page by page, so you know exactly what you will be receiving. Call us at 800-468-9925 or email customerservice@accessfixtures.com for more information about ordering a photometric analysis for your project.

Ready to Order an EPTA 120 No UV - No Light Below 450nm Linear LED Light - 120-277v or Speak to a Lighting Specialist?

If you need some additional information about this fixture, give us a call at

800-468-9925. Of course, you can place your order online, right here, but our team is available to answer any questions that may come up. Does your project require multiple fixtures? Ask us about quantity discounts. We are here to provide anything you need to purchase fixtures and illuminate your project with confidence.

Product Attributes

- Dimensions: 43.9 × 3.17 × 3.45 in
- Weight: 10 lbs
- Availability: Typically ships in 6-8 weeks.
- Available Finishes: Black, Gray
- Ballast/Driver: 530mA Driver
- Housing: Extruded aluminum housing, Finish meets 1000-hour salt-spray certification per ASTM B117/ ISO 9227:2012
- Light Source: No UV LED Lights
- Light Source Included: LED Array Included
- Light Source Lumens: 7,150
- Listings: CSA - listed for wet Locations, IP67, ETL Listed, RoHS, UL Listed
- Mounting: 1/2" NPS knuckle mount, Adjustable 10' Suspension Cables, Swivel Bracket
- Rated Life: 50,000 Hours
- System Watts: 120
- Voltage: 120-277v
- Warranty: 5-Year Limited Warranty

Product Gallery





**EPTA
Diffuser Lens**





**EPTA
Hanging Wire
Mount**

**EPTA
Swivel Bracket
Mount**



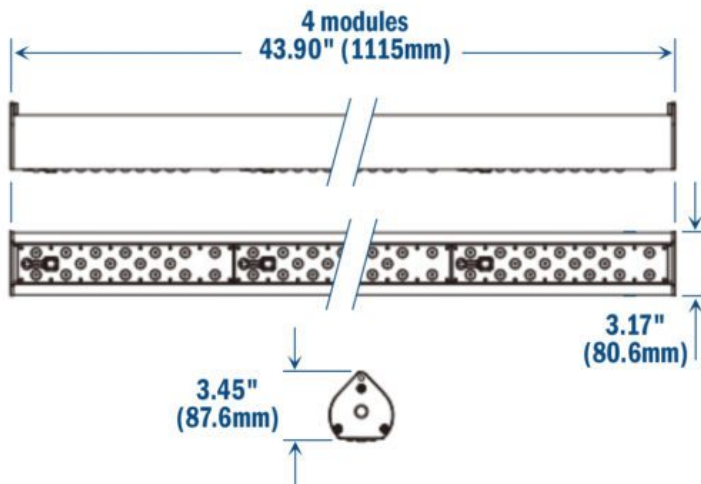
EPTA 120 No UV Linear LED Light

No UV - No Light
Under 460nm



EPTA 120 No UV LED Linear Light

No UV - No Light Under 460nm



Broad Spectrum No UV Visibility



White Light Visibility



White Light Visibility



Broad Spectrum No UV Visibility



