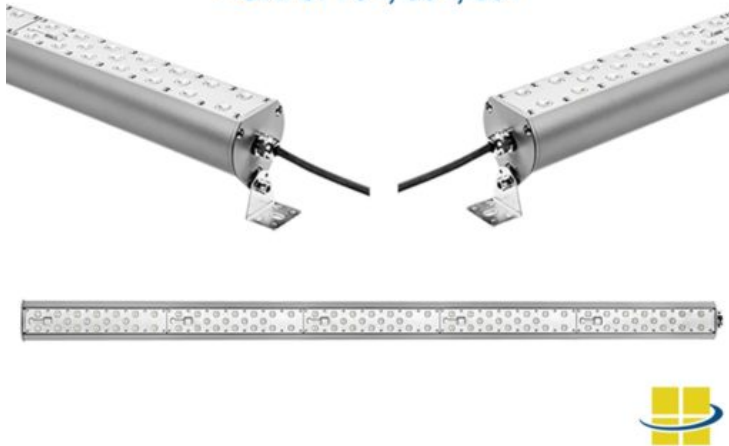


EPTA 150 Linear LED Fixture 120-277v: 200,000-Hr. Life, 3K/4K/5K

EPTA Linear LED Fixture

- 200,000+ Hour Lifetime
- 3000K, 4000K, 5000K
- 5-Year Warranty
- CRI of 70+, 80+, 90+



SKU: AF72XBCA150

Product Page: <https://www.accessfixtures.com/p/141w-linear-led-fixture-epta/>

Product Description

Overview: EPTA 150 Linear LED Fixture 120-277v

EPTA 150 Linear LED Fixture 120-277v represents the latest in linear LED lighting technology. With an astonishing L70 life of 200,000 hours, intuitive and modular LED arrays, easy mounting, an IP67 rating and salt-spray certification, easily customized housing color and Kelvin temperature, and quick shipping, these fixtures make sign lighting, wall-wash lighting, flood lighting, and bay lighting easier than ever. EPTA's waterproof construction makes them a great choice for swim areas and other wet locations. For more information always feel free to fill out

an Access Fixtures RFQ form or call 800-468-9925 to be connected with a member of the Access Fixtures team.

Lumen Output and Light Distribution Options: EPTA 150 Linear LED Fixture 120-277v

These linear LED fixtures operate at over 130 lumens per watt. This efficacy gives means you get more light for less money. EPTA fixtures are available in a range of wattages, too, making it easy to select the ones that are best for your particular project.

EPTA can be fitted with your choice of beam angle, too. If you need a wide swath of light, select a wider beam angle using the drop-down options at the top of the page. If, however, you need a narrower beam spread, select a lower degree. If you're looking to reduce glare, select the Anti-Glare Diffusion Lens (T5D) from the drop-down menu above. Of course, if you aren't sure what the heck would be best for your application, give Access Fixtures a call and our team will gladly help you select the best options for your project.

You also have the option of selecting your own Kelvin temperature. 3000K is a warm white and is popular for interior lighting; 4000K is a neutral white and is popular for exterior lighting; 5000K is cool white and is the brightest, highest-lumen option. Read more about [Kelvin temperature here](#) or call 800-468-9925 to learn more about these choices.

Additionally, select your choice of [color rendering index \(CRI\)](#). This is a measure of how well colors appear under a light source and is measured on a scale of 1-100. EPTA fixtures come standard at CRIs of 70+ but can be easily upgraded to 80+ or 90+. Some projects benefit from high CRIs, while others may not; call us at 800-468-9925 to discuss!

Housing Design and Weather Resistance: EPTA 150 Linear LED Fixture 120-277v

The EPTA 150 Linear LED Fixture 120-277v is designed for easy maintenance, durability, and reliability. Its die-cast aluminum housing has a corrosion-resistant polyester powder coating in your choice of color. You can select the housing color

by using the drop-down menu at the top of the page.

EPTA linear LED fixtures come with a standard IP rating of IP67. The IP rating system defines how protected a fixture is against dust and water ingress.

Luminaires like the EPTA 150 Linear LED Fixture 120-277v with an IP67 rating are completely dust-proof and waterproof. These units are weather resistant and safe against rain, snow, and water spray from any angle; they can even be fully immersed in a pool of water for a short amount of time. Ever need to clean these units off? Just get your garden hose and spray them down! Perhaps more impressive than this, they meet 1,000-hour salt spray certification per ASTM B117 and ISO 9227-2012.

EPTA 150 Linear LED Fixture 120-277v has a thin profile (just 3.45 inches in height), which makes it unobtrusive in many locations. Call Access Fixtures today for more information about the EPTA 150 Linear LED Fixture 120-277v housing, design, or its preparedness for the weather.

Mounting Your EPTA 150 Linear LED Fixture 120-277v

The EPTA 150 Linear LED Fixture 120-277v comes with a handful of different mounting options. The standard mount comes with two brackets (one on either end of the fixture) and allows you to secure the EPTA to almost any surface. With this mount, you can tilt the EPTA and lock it in place to direct the light where you need it. If you'd like to hang your EPTA fixtures from a ceiling, select the Adjustable 10' Suspension Cables mount. Finally, the Knuckle Mount option can fit over certain pole toppers or ground stakes. Ask an Access Fixtures lighting specialist for more information about these options.

Access Fixtures Warranty

Every EPTA comes with a five-year warranty. Our customer service team located in Worcester, MA, is always here to help address any after-sale questions or concerns that come up. However, if your product is found to have a manufacturing defect, we will either replace components, the entire product, or issue a refund. We stand behind the quality of our products and pride ourselves in both customer service and open communication. If you have any questions, feel free to give us a call at

800-468-9925.

Need a Photometric Analysis for Your Project?

A photometric analysis is a computer simulation of a particular project. Whether using these fixtures to illuminate a parking lot, athletic field, rail yard, dock, or something else entirely, a photometric analysis is an easy way to quantify your light levels before making a big purchase. This service will provide average footcandles, max/min (uniformity) ratios, minimum footcandles, light trespass levels, and more. When the report(s) are generated, a lighting specialist will walk you through them, page by page, so you know exactly what you will be receiving. Call us at 800-468-9925 or email customerservice@accessfixtures.com for more information about ordering a photometric analysis for your project.

Ready to Order an EPTA 150 Linear LED Fixture 120-277v or Speak to a Lighting Specialist?

If you need some additional information about this fixture, give us a call at 800-468-9925. Of course, you can place your order online, right here, but our team is available to answer any questions that may come up. Does your project require multiple fixtures? Ask us about quantity discounts. We are here to provide anything you need to purchase fixtures and illuminate your project with confidence.

Product Attributes

- Dimensions: 54.7 × 3.17 × 3.45 in
- Weight: 10.67 lbs
- Availability: Typically ships in 4-6 weeks
- Available Finishes: Black, Gray
- Ballast/Driver: Electronic 50/60 Hz
- Color Rendering Index (CRI): 70+, 80+, 90+
- Color Temperature (K): 3000K, 4000K, 5000K
- Housing: Extruded aluminum housing, Finish meets 1000-hour salt-spray certification per ASTM B117/ ISO 9227:2012

- LED Type: LED Array
- Light Source: White Light Spectrum
- Listings: IP67, ETL Listed, RoHS, UL Listed
- Mounting: 1/2" NPS knuckle mount, Adjustable 10' Suspension Cables, Mounting Bracket
- Rated Life: 200,000+ Hours
- System Watts Filter: 141
- Voltage: 120-277v
- Warranty: 5-Year Warranty
- Light Source Included: LED Array Included
- Light Source Lumens: 19035

Product Gallery





**EPTA 110w Linear
LED Fixture with Bracket
Mount**



**EPTA Linear LED
Fixture with
Knuckle Mount**

