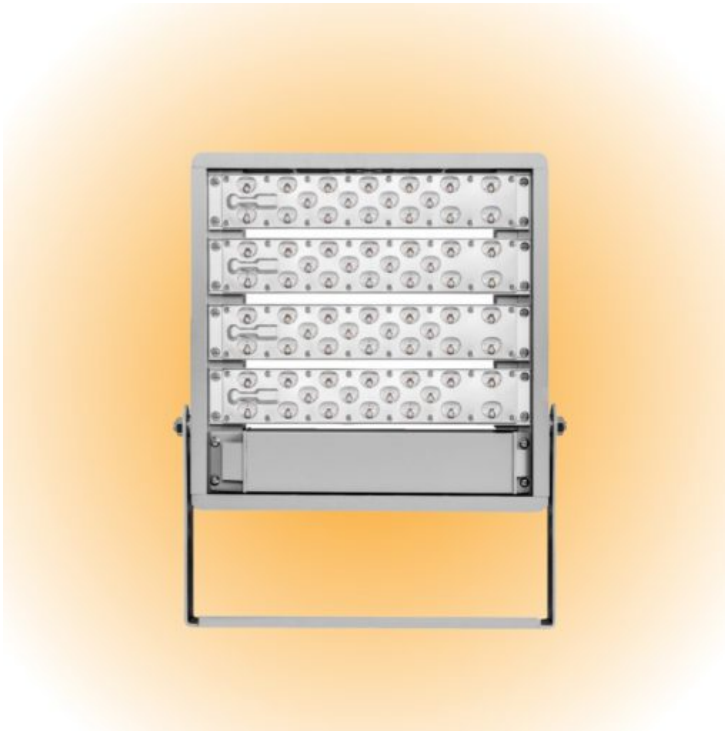


APTA-V 160 590nm Amber Flood Light, 347-480v



SKU: AF72XFLC160C-TURTLE

Product Page:

<https://www.accessfixtures.com/p/156w-marine-turtle-flood-light-347-480v-apta/>

Product Description

APTA-V 160 590nm Amber Flood Light, 347-480v is a bracket mount flood and area light fixture for commercial and industrial use.

590nm Amber: This fixture is available in 590nm amber which cannot be seen by turtles and other wildlife.

Choice of Optics: APTA-V is available with fourteen different choices of optics.

IP67: This fixture is sealed completely and IP67 rated against water and dust.

APTA-V 160 590nm Amber Flood Light, 347-480v Features:

- Die-cast aluminum housing - 120-277v - 95 lumens per watt - 50,000 L70

hours - IP67/UL/ CUL/ DLC/ LM79/ CB/ CE/ SAA/ RoHS / IK10 - Controls-ready -
Vertical bracket mount - 5 year warranty APTA-V 160 590nm Amber Flood
Light, 347-480v Options:
- Black, White, Bronze, or Gray - Fourteen options for optics and light
distribution - 0-10v dimming - Vandal resistant screws - Surge protection -
Photocell - Marine grade finish Access Fixtures Warranty

Access Fixtures is proud to assemble high quality, long lasting lighting products which are covered by a 5-year warranty. In accordance with our warranty policy, we will offer repair, replacement, or refund for qualifying claims. Please contact our friendly customer service team, located in Worcester, MA, to address any questions or concerns you may have. We can be reached at 800-468-9925 Monday-Friday 9-5 EST or via email at sales@accessfixtures.com. Click [here](#) to view Access Fixtures' [complete warranty policy](#). Need a Photometric Analysis for Your Project?

A photometric analysis is a computer simulation of a particular project. Whether using these fixtures to illuminate a parking lot, athletic field, rail yard, dock, or something else entirely, a photometric analysis is an easy way to quantify your light levels before making a big purchase. This service will provide average footcandles, max/min (uniformity) ratios, minimum footcandles, light trespass levels, and more. When the report(s) are generated, a lighting specialist will walk you through them, page by page, so you know exactly what you will be receiving. Call us at 800-468-9925 or email customerservice@accessfixtures.com for more information about ordering a photometric analysis for your project.

Ready to Order an APTA-V 160 590nm Amber Flood Light, 347-480v or
Speak to a Lighting Specialist?

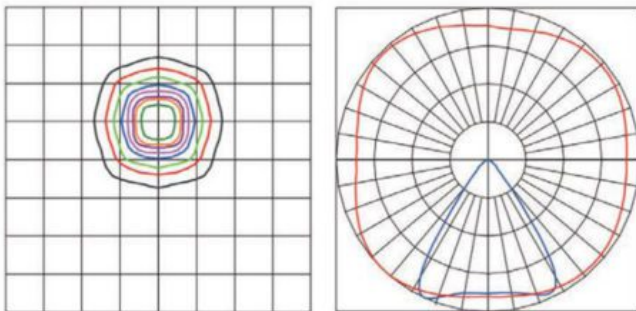
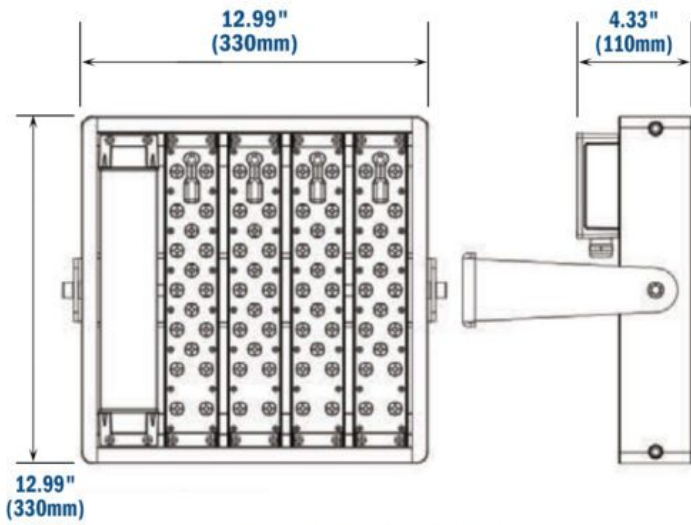
If you need some additional information about this fixture, give us a call at 800-468-9925. Of course, you can place your order online, right here, but our team is available to answer any questions that may come up. Does your project require multiple fixtures? Ask us about quantity discounts. We are here to provide anything you need to purchase fixtures and illuminate your project with confidence.

Product Attributes

- Dimensions: 12.99 × 12.99 × 4.33 in
- Weight: 15.79 lbs
- Availability: Typically ships in 6-8 weeks.
- Available Finishes: Black, Bronze, Gray, White
- Ballast/Driver: Electronic 50/60 Hz
- Housing: Modular design, Vandal resistant screws optional, Die cast aluminum housing, Finish meets 1000-hour salt-spray certification per ASTM B117/ ISO 9227:2012
- Lens: 15+ optical lenses available for specific distribution patterns
- Light Source: 590nm Amber
- Light Source Included: LED Array Included
- Light Source Lumens: 8990
- Light Source Lumens Filter: 5,000 - 9,999
- Listings: IP67, CB, CE, CuL Listed, DLC Listed, IK08, LM79, RoHS, UL Listed
- Mounting: Slip Fitter, Yoke Mount/U-Bracket Mount
- Rated Life: 50,000 Hours
- System Watts: 156
- System Watts Filter: 100w - 199w
- Voltage: 347-480v
- Warranty: 5-Year Limited Warranty

Product Gallery

APTA 156w Marine Turtle Flood Light



APTA LEDs feature built-in beam angles.
Shown here are ISO plot and polar curve for a 60° beam angle

