

FLYT 160 No UV - No Light Below 450nm LED Flush Mount Light - 347-480v



SKU: AF72XCLB160HD-NoUV

Product Tags: [No UV](#)

Product Page:

<https://www.accessfixtures.com/p/160-no-uv-led-canopy-light-347-480v/>

Product Description Features and Benefits

No UV: Dedicated LEDs don't emit UV or light under 450nm; No filters to break down

High lumens: meets corporate and OSHA-required level of illumination

Maximize ceiling space: More ceiling space for HVAC and other purposes

Broadest spectrum possible: Superior visibility; Happier workforce

Built ready for controls: Ready for 0-10v dimming, occupancy sensors; Handles

unlimited on/off cycles; Ready to meet CA Title 24 requirements

Leading edge diffuser: Even light distribution and low to no glare

50,000-hour L70 life: Long life and virtually no maintenance

Modular design: Modular design makes for simple repair if needed

Flicker-Free: Flickering lights suck

IP67: Ready for clean rooms; Built so well it is submersible

No UV Ever

The high voltage FLYT 160 No UV - No Light Below 450nm LED Flush Mount Light - 347-480v employs LEDs precision-designed to emit no UV and no light under 450nm. Without UV, there's no need for filters or lenses, and no danger of filter failure and accidental UV contamination. Each FLYT 160 emits 10,465 flicker-free lumens, more than double the light per square foot when compared to T8 troffers. The unique chip configuration provides the broadest possible spectrum of light resulting in exceptional visibility and superior working conditions.

IP67 Waterproof Construction

With an IP67 rating, the high voltage FLYT 160 No UV LED Flush Mount Light is an excellent choice for clean rooms and critical production facilities. It's impervious to jets of water and dust. This die-cast aluminum housing do not collect dust like traditional fluorescent T8 gold tube fixtures will. Modular LED design means easy repair if ever necessary. It boasts a long 50,000-hour L70-rated life for years and years of low-maintenance lighting.

Flush Mounting FLYT 160 No UV LED Flush Mount Lights

The high voltage FLYT 160 No UV LED Flush Mount Light flush mounts in a cut out hole of 5" (127mm). FLYT No UV LED Flush Mount Lights drop into clean rooms and production facilities ceilings without disrupting air pressure or contaminating the surrounding area. Better yet, the exceptional lumens-per-foot ratio of these fixtures allows more ceiling space for other applications such as HVAC and plumbing. Always feel free to fill out an Access Fixtures RFQ form or call us at 800-468-9925 to get in touch with a member of the Access Fixtures team.

Access Fixtures Warranty

Access Fixtures is proud to assemble high quality, long lasting lighting products which are covered by a 5-year warranty. In accordance with our warranty policy, we will offer repair, replacement, or refund for qualifying claims. Please contact our friendly customer service team, located in Worcester, MA, to address any questions or concerns you may have. We can be reached at 800-468-9925 Monday-Friday 9-5 EST or via email at sales@accessfixtures.com. Click [here](#) to view Access Fixtures' [complete warranty policy](#). Need a Photometric Analysis for Your Project?

A photometric analysis creates a computer simulation of a particular project. No matter what you are lighting, a photometric analysis is an easy way to quantify your light levels before making a purchase. This service will provide average footcandles at various heights, max/min (uniformity) ratios, minimum footcandles, light trespass levels, and more. When a report is generated, a lighting specialist will walk you through it, page by page, so you know exactly what you will be receiving. Call us at 800-468-9925 for more information about ordering a photometric analysis for your project.

Ready to Order High Voltage FLYT 160 No UV LED Flush Mount Light or Speak to a Lighting Specialist?

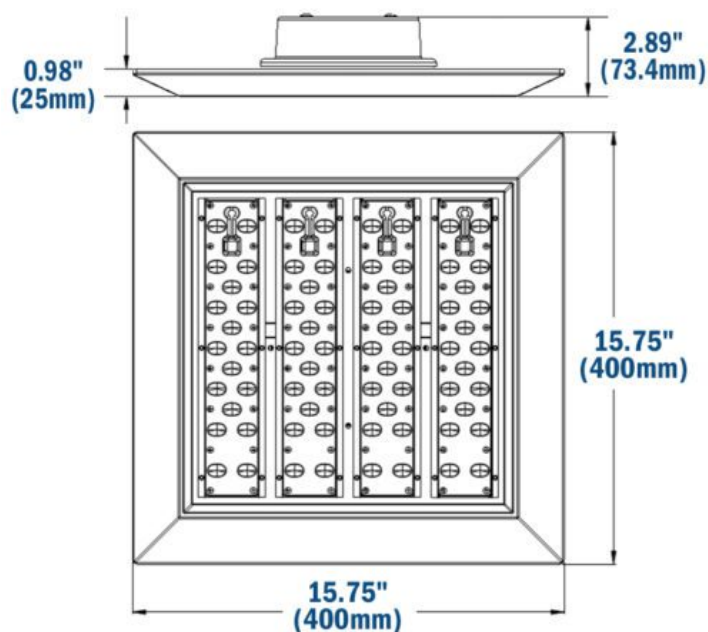
You can place your order online, [here](#). Or, if you want additional information, give us a call at 800-468-9925. Does your project require multiple fixtures? Ask us about quantity discounts. Our team of friendly expert lighting specialists is available to provide what you need to purchase fixtures and illuminate your project with confidence.

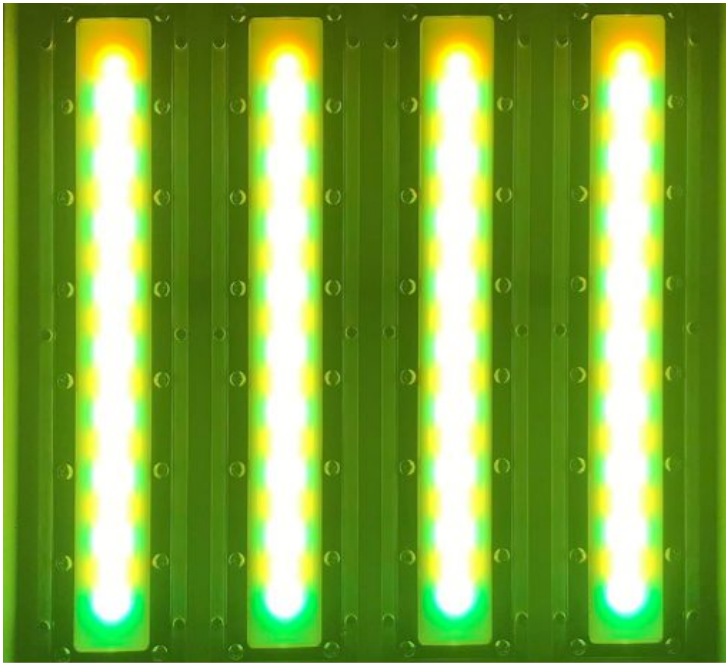
Product Attributes

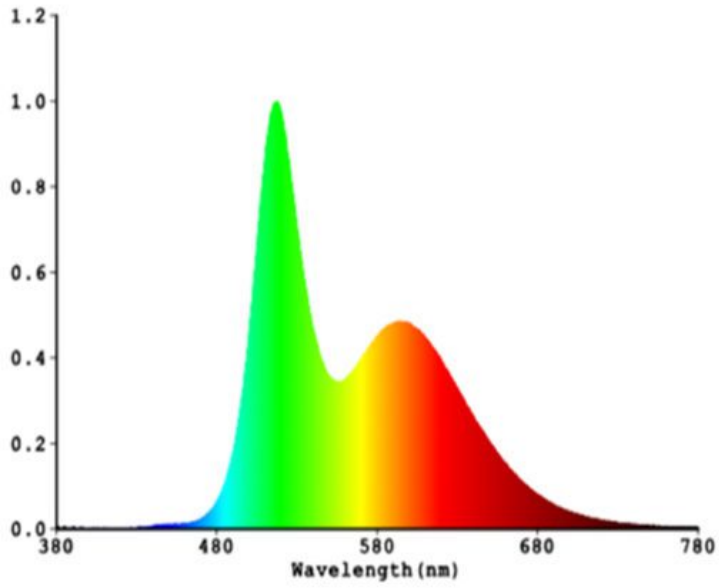
- Dimensions: 23.75 × 23.75 × 1.5 in
- Weight: 34 lbs
- Availability: Typically ships in 6-8 weeks.
- Available Finishes: White

- Ballast/Driver: 700mA Driver
- Features: Flicker Free, No UV (No light under 450nm)
- Housing: Die cast aluminum housing
- Landing Page Attribute (LPA): No UV
- Lens: Polycarbonate Diffuser Lens
- Light Source: No UV LED Lights
- Light Source Included: LED Array Included
- Light Source Lumens: 10465
- Listings: IP67, CE, CuL Listed, IK08, RoHS, UL Listed
- Mounting: Flush Mount
- Rated Life: 50,000 Hours
- System Watts: 160
- Vendor Code: SHINE CLB160H-D NoUV
- Voltage: 347v, 480v
- Voltage Filter: 347v, 480v
- Warranty: 5-Year Limited Warranty

Product Gallery











**White Light
Visibility**

**Broad Spectrum No UV
Visibility**



Broad Spectrum No UV Visibility



White Light Visibility

