

SARC 27w LED 14" Square Bulkhead Wall Pack with Grid, 347-480v



SKU: AF33XWPS22GRQF1X23H5KL

Product Tags: [LED](#)

Product Page: <https://www.accessfixtures.com/p/27w-square-wall-light-hv/>

Product Description

The SARC 27w LED 14" Square Bulkhead Wall Pack with Grid comes in high voltage options of 347v or 480v. This standout lighting solution allows for maximum light output and is an ideal fixture for any commercial application that requires a bright and efficient LED luminaire. Applications include public buildings, condominiums, shopping malls, recreational facilities, indoor pool rooms, locker rooms, outdoor pools, walkways, and more.

Forward Throw: This wall pack throws light in a wide forward arc, making it

perfect for lighting large areas outside of buildings.

Vandal Resistant Housing: Designed with a built-in grid across the lens to prevent breakage and add an aesthetic touch. It features a durable precision die-cast aluminum housing construction with a frosted polycarbonate lens for durability, resistance, and the elimination of hot spots. The powder coat is finished with a chromate conversion coating, which protects the fixture from corrosion and erosion.

Value: The SARC 27w Square Wall Light with Grid offers the same lumen output of a 100w metal halide fixture at a fraction of wattage and more than twice the lifetime. This fixture will pay for itself!

Features:

- Square bulkhead wall pack with grid luminaire - 27w integrated LEDs - Die-cast aluminum housing - Frosted polycarbonate lens - 34v, 480v - (CRI) of 80+ [color rendering index](#)] - CSA listed for wet locations - IP65 rated - L70 rated for 50,000 life hours - 3,276 lumens - 5000K - 11 lbs. - 14" x 14" x 6.75"
- 5 year warranty Options:
- Choice of finish: Bronze, White or Custom RAL - Click here to learn more about [custom-painted fixtures in RAL coloring.](#)]

Battery back-up (battery backup provides power to a fixture for **90 minutes** after an outage)

- Voltage 347v or 480v Access Fixtures 5-Year Warranty

All Access Fixtures products come with a 5-year warranty. If your product is found to have a manufacturing defect, we will replace components, the entire product, or issue a refund. We stand behind the quality of our products. Our customer service team, located in Worcester, MA, is happy to address any questions, comments, or concerns you may have. Please give us a call at 800-468-9925. Please view Access Fixtures' [return policy](#). Need a Photometric Analysis for SARC 27w LED 14" Square Bulkhead Wall Pack with Grid, 347-480v Project?

A photometric analysis creates a computer simulation of a particular project. No matter what you are lighting, a photometric analysis is an easy way to quantify light levels before purchasing. When a report is generated, a lighting specialist will walk you through it so you know exactly what you will be receiving. Photometrics

include average and minimum footcandles, uniformity ratios, spacing, light trespass info, and more. Plus, the cost of the study is refunded back to you when you purchase the fixtures. Call us at 800-468-9925 for more information about ordering a photometric analysis for your project.

Ready to Order SARC 27w LED 14" Square Bulkhead Wall Pack with Grid, 347-480v or Speak to a Lighting Specialist?

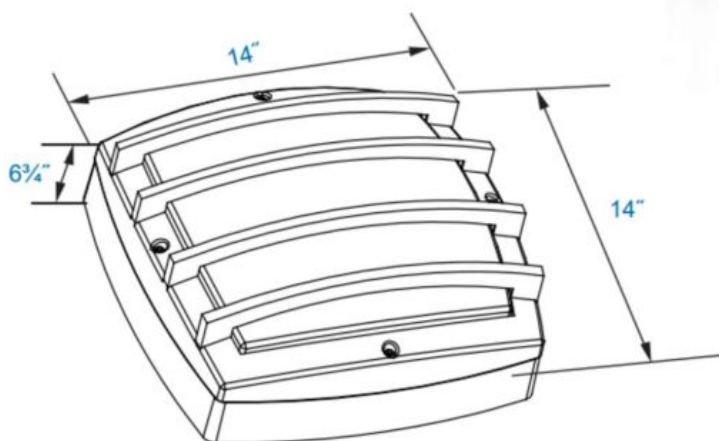
You can place your order online, [here](#). Or, if you want additional information, give us a call at 800-468-9925. Does your project require multiple fixtures? Ask us about quantity discounts. Our team of friendly expert lighting specialists are available to provide what you need to purchase fixtures and illuminate your project with confidence.

Product Attributes

- Dimensions: 16 × 16 × 8 in
- Weight: 14 lbs
- Availability: Typically ships in 7-10 business days
- Light Source: 5000K - Bright White
- Available Finishes: Bronze, White, Custom RAL
- Color Rendering Index (CRI): 80+
- Housing: Die cast aluminum housing
- Lens: Frosted polycarbonate lens
- Light Source Included: LED Array Included
- Light Source Lumens: 3276
- Listings: CSA: Listed for wet locations, IP65
- Mounting: Surface Mount
- Product Family: SARC
- Rated Life: 50,000 Hours
- System Watts: 27
- Voltage: 347-480v
- Warranty: 5-Year Limited Warranty

- Style: Bulkhead, Forward Throw

Product Gallery



**BUY AMERICAN
ACT COMPLIANT**