

Recreation-Level LED Tennis Package: 6 Poles, 6 Fixtures, 22 AVG FC, 2.07 MAX/MIN



SKU: AF33XRECT6X620450

Product Tags: [Tennis](#)

Product Page:

<https://www.accessfixtures.com/p/6-pole-outdoor-led-tennis-court-lighting-22-avg-fc/>

Product Description The Layout

This 6-Pole Outdoor LED Tennis Court Lighting Package is designed for recreation-level tennis courts.

These fixtures are also designed for easy maintenance. Each of the LED modules (or "bricks") in these fixtures can be individually replaced.

The 6-Pole Outdoor LED Tennis Court Lighting Package uses high-powered, long-lasting LED sport lights. Full specs of each of these fixtures below.

System Wattage: 461

Light Source Wattage: 450

Light Source Lumens: 62,235

Rated Life (L70): 200,000+ Hours

Beam Spread: 90 Degrees

Weight: 40.54 Pounds

Dimensions: 30.16" x 24.98" x 2.76"

Housing: Die-cast aluminum housing with corrosion-resistant polyester powder. Finish meets 1,000-hour salt-spray certification per ASTM B117/ISO 9227:2012. Modular LED design with IP67 rating.

Listings: IP67, UL Listed, CuL Listed, RoHS

Voltage Compatibility: 120-277v

Dimming: Yes. 1-10v dimming standard in all fixtures.

Warranty: 5-Year Warranty

If you have additional questions about the fixtures used in this package, call us at 800-468-9925.



The 461w-Watt LED Sport Light Fixtures used in this tennis court package are L70 rated for an astounding 200,000+ hours.

The Poles

The 6-Pole Outdoor LED Tennis Court Lighting Package uses steel poles. We always have the full specs of each of these poles below. If your tennis court is located in a high-wind area (e.g., Florida, Louisiana, Georgia, the Caribbean), make sure to ask us about EPA ratings and wind tolerances of each setup. Installations in these areas often require poles with thicker walls, materials like aluminum or composite, or tapered designs. Our engineers can provide this data and the necessary poles for any location, but as these changes affect lead time and pricing, it is best to call first.

Pole Height: 20 Feet

Direct Burial or Bolt-In: Bolt-In

Number of Anchor Bolts: 4

Anchor Bolt Dimensions: M20 x 27.5"

Base Plate Dimensions: 10.5" (L) x 10.5" (W), .75" (Thickness)

Base Plate - Anchor Bolt Circle: 8"-11" (Diameter)

Gauge: 11-Gauge

Weight: 146 Pounds

Tenon: 2 3/8" Tenon

Finish: Baked-on, textured, architectural bronze finish.

Base Cover: Two-piece steel base cover

Hand Hole: Cast-iron-reinforced hand hole with cover

Specifications: Conforms to ASTM-A 500 Grade B. Minimum yield strength of 46,000 PSI.

For more information about the poles used in this package, call 800-468-9925 or send us an email at customerservice@accessfixtures.com.



The square steel poles used in this package feature textured, architectural bronze

finishes. They ship complete with anchor bolts, base covers, base plates, and mounting templates.

The Mounts

The fixtures in this package utilize built-in slip fitter mounts that make for easy aiming and tilting.

The Lead Time

Everything in this 6-Pole Outdoor LED Tennis Court Lighting Package typically ships in 2-4 weeks. The fixtures are custom-built to order but we are almost always able to meet or beat this estimated window. We'll ship your poles from the factory location closest to you.

Stock does fluctuate, so call 800-468-9925 for an exact lead time.

Do You Have More Questions about the 6-Pole Outdoor LED Tennis Court Lighting Package?

We want to make sure you buy in confidence and select the right court for your particular project. If you have any questions or would like a lighting specialist to walk you through the options, give us a call today. You can also email us at customerservice@accessfixtures.com.

LED Tennis Court Lighting Packages from Access Fixtures



The LED Sport Light Fixtures you'll receive are custom built with specific beam spreads required for this tennis package.

At Access Fixtures, we want to make illuminating your tennis court(s) as simple as possible. Our lighting specialists, photometric engineers, and designers have all come together to build comprehensive LED tennis court packages with everything you need to achieve the exact kind of light you need.

Not all tennis courts need the same lighting. We've designed packages for housing authorities in Texas, collegiate and high school courts from Florida to Washington, public courts in New York, backyard courts across the United States and the Caribbean, and just about everything in between; while there are standard layouts, few tennis courts have the same needs. Some require a specific number of poles, a specific pole layout, specific fixtures, and—most often—light levels catered to a specific level of play. We've designed our tennis court packages to fit every tier of play from recreational, club, competition, to NCAA-level tournaments.

Call 800-468-9925 to discuss your project with an Access Fixtures lighting specialist. We look forward to hearing from you. Access Fixtures Warranty

Access Fixtures is proud to assemble high quality, long lasting lighting products which are covered by a 5-year warranty. In accordance with our warranty policy, we will offer repair, replacement, or refund for qualifying claims. Please contact our friendly customer service team, located in Worcester, MA, to address any questions or concerns you may have. We can be reached at 800-468-9925 Monday-Friday 9-5 EST or via email at sales@accessfixtures.com. Click here to view Access Fixtures' [complete warranty policy](#).

Product Attributes

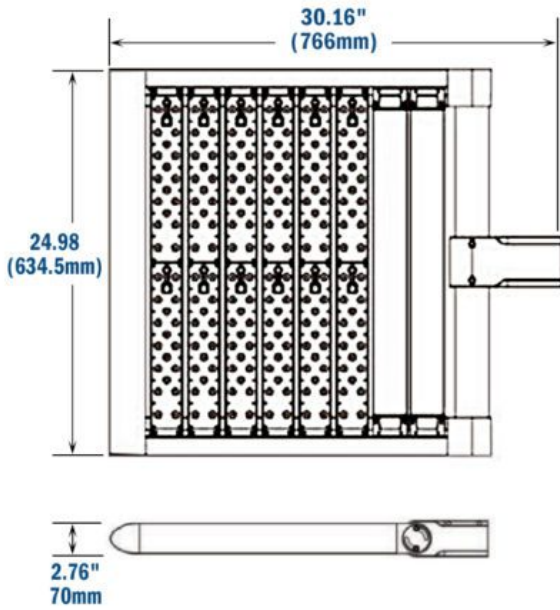
- Dimensions: 30 × 30 × 30 in
- Weight: 100 lbs
- Light Source: 3000K - Neutral White, 4000K - Cool White, 5000K - Bright White
- Availability: Typically ships in 6-8 weeks.
- Ballast/Driver: Electronic 50/60 Hz
- Color Rendering Index (CRI): 70+, 80+, 90+
- Housing: Die-cast aluminum housing with corrosion-resistant polyester powder. Finish meets 1,000-hour salt-spray certification per ASTM B117/ISO

9227:2012. Modular LED design with IP67 rating.

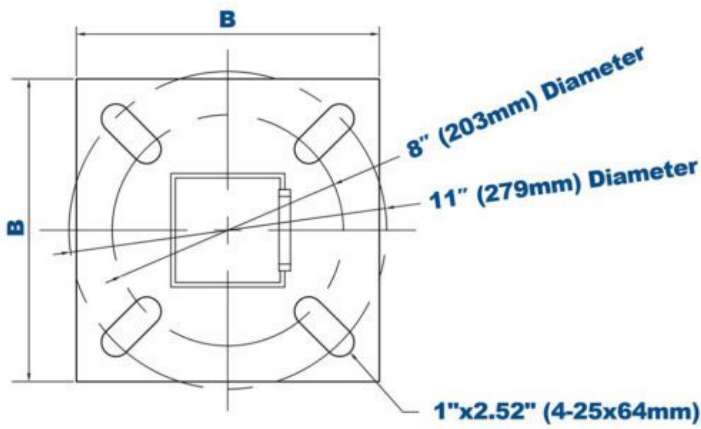
- Listings: IP67, ASTM B117/ISO 9227:2012, CE, CuL Listed, RoHS
- Rated Life: 200,000+ Hours
- Warranty: 5-Year Limited Warranty
- Sports Level of Play: Recreation
- Number of Poles: 6
- Pole Height: 20 Feet
- Number of Courts: 1
- Average Footcandles: 22
- Number of Fixtures: 6
- Max/Min Uniformity: 2.07
- Available Finishes: Bronze
- Product Family: APTA, APTI
- Voltage: 120-277v

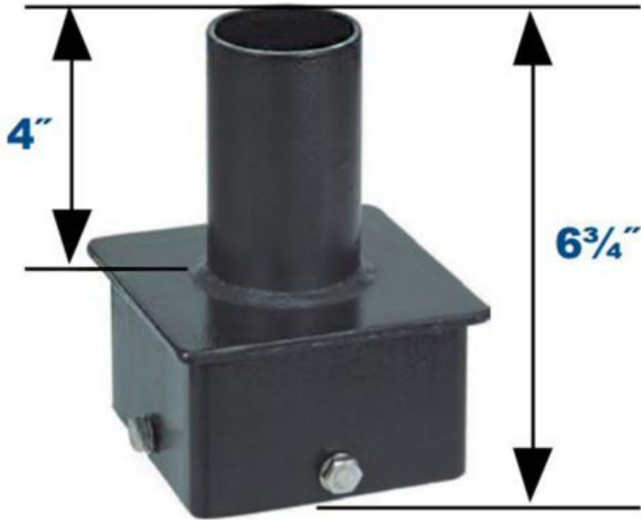
Product Gallery





Anchor Bolt Template for 4" Poles





2 3/8" Vertical Tenon



