

APTA 80 No UV - No Light Below 450nm Surface Mount Light, 347-480v



SKU: AF72XFLC80DBSNOUVHC

Product Page:

<https://www.accessfixtures.com/p/78w-factory-light-347-480v-no-uv/>

Product Description

APTA 80 No UV - No Light Below 450nm Surface Mount Light, 347-480v is a surface mount fixture for commercial and industrial use.

No UV - No Light Below 450nm: This fixture utilizes broad spectrum no-UV technology for no UV light or degradation EVER.

Choice of Optics and Flicker Free: Flicker free, and available in fourteen different choices of optics including glare-free diffuser.

IP67 for Clean Rooms: This fixture is sealed completely and IP67 rated for clean

rooms.

APTA 80 No UV - No Light Below 450nm Surface Mount Light, 347-480v

Features:

- Die-cast aluminum housing - 347-480v - Up to 5,558 lumens - 50,000 L70 hours - IP67/UL/ CUL/ DLC/ LM79/ CB/ CE/ SAA/ RoHS / IK10 - Controls-ready - Surface mount - 5 year warranty

APTA 80 No UV - No Light Below 450nm Surface Mount Light, 347-480v Options:

- Black, White, Bronze, or Gray - Fourteen options for optics and light distribution - 0-10v dimming - Vandal resistant screws - Marine grade finish

Access Fixtures Warranty

Access Fixtures is proud to assemble high quality, long lasting lighting products which are covered by a 5-year warranty. In accordance with our warranty policy, we will offer repair, replacement, or refund for qualifying claims. Please contact our friendly customer service team, located in Worcester, MA, to address any questions or concerns you may have. We can be reached at 800-468-9925 Monday-Friday 9-5 EST or via email at sales@accessfixtures.com. Click here to view Access Fixtures' [complete warranty policy](#). **Need a Photometric Analysis for Your Project?**

A photometric analysis is a computer simulation of a particular project. Whether using these fixtures to illuminate a parking lot, athletic field, rail yard, dock, or something else entirely, a photometric analysis is an easy way to quantify your light levels before making a big purchase. This service will provide average footcandles, max/min (uniformity) ratios, minimum footcandles, light trespass levels, and more. When the report(s) are generated, a lighting specialist will walk you through them, page by page, so you know exactly what you will be receiving. Call us at 800-468-9925 or email customerservice@accessfixtures.com for more information about ordering a photometric analysis for your project.

Ready to Order an APTA 80 No UV - No Light Below 450nm Surface Mount Light, 347-480v or Speak to a Lighting Specialist?

If you need some additional information about this fixture, give us a call at 800-468-9925. Of course, you can place your order online, right here, but our team

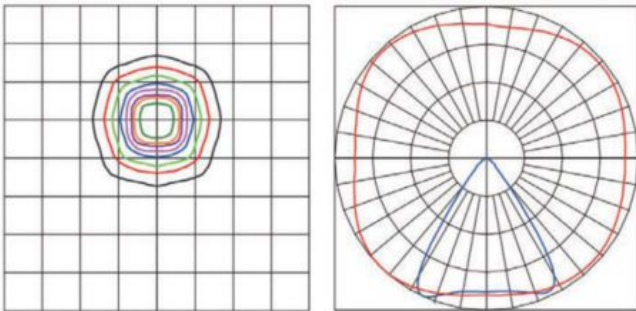
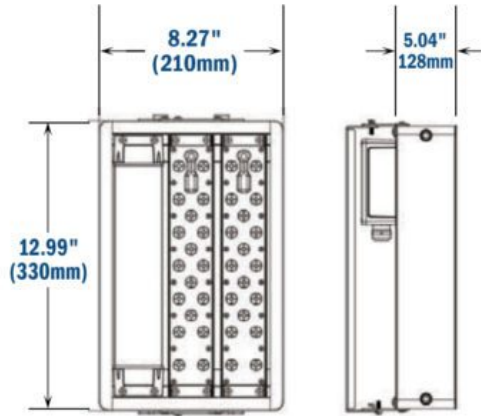
is available to answer any questions that may come up. Does your project require multiple fixtures? Ask us about quantity discounts. We are here to provide anything you need to purchase fixtures and illuminate your project with confidence.

Product Attributes

- Dimensions: 8.27 × 12.99 × 5.04 in
- Weight: 10.87 lbs
- Availability: Typically ships in 6-8 weeks.
- Available Finishes: Black, Bronze, Gray, White
- Ballast/Driver: Electronic 50/60 Hz
- Housing: Die-cast aluminum housing with corrosion-resistant polyester powder. Finish meets 1,000-hour salt-spray certification per ASTM B117/ISO 9227:2012. Modular LED design with IP67 rating.
- Light Source: No UV LED Lights
- Listings: IP67, CuL Listed, RoHS, UL Listed
- Mounting: Four-Corner Eye Hooks, Four-Corner Eye Hooks with 10' Suspension Cable, Pendant Rod and Ceiling Plate, Surface Mount, Suspension Hook
- Rated Life: 50,000 Hours
- Voltage: 347v, 480v
- Warranty: 5-Year Limited Warranty
- Light Source Included: LED Array Included
- Light Source Lumens: 5558
- System Watts: 72

Product Gallery

APTA 78w No-UV Factory Light



**APTA LEDs feature built-in beam angles.
Shown here are ISO plot and polar curve for a 60° beam angle.**



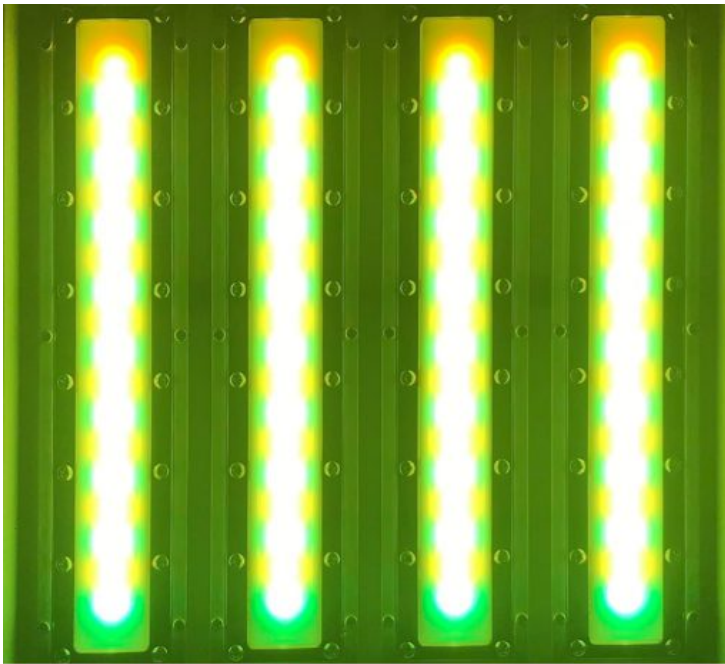


**APT A Canopy
Mount Bracket
(156w shown)**



**APT Power Supply
(156w shown)**





Broad Spectrum No UV Visibility



White Light Visibility



White Light Visibility



Broad Spectrum No UV Visibility

