

APTU 80 590 Amber LED No Glass - IP67 Full Cutoff Wall Pack, 120-277v



SKU: AF72XFLB80W-TURTLE

Product Page:

<https://www.accessfixtures.com/p/78w-marine-turtle-wall-pack-aptu/>

Product Description

APTU 80 LED Turtle Friendly Modular Full Cutoff Wall Pack, 120-277v fixture features 590 nanometer amber LEDs compatible with most coastal lighting regulations and monochromatic security systems. The APTU is designed with the latest in LED technology for coastal-compliant, turtle-friendly amber lighting solutions and is an ideal choice for wildlife applications including recreational facilities, waterfront pathways and walkways in wet coastal environments.

Turtle and Wildlife Friendly: The energy efficient monochromatic amber LEDs

are turtle and wildlife friendly. Using 590nm follows most coastal light regulations.

Full Cutoff: The full cutoff design of this wall pack helps to meet local lighting ordinances by minimizing light trespass.

IP67 Rated: The APTU is IP67 rated protected from total dust ingress and water immersion between 15cm & 1m in depth.

Features:

78w integrated modular LED Array

590nm Amber LED color temperature

Turtle & wildlife friendly

5,070 lumens

120-277v

IP67 rated and salt-spray certification

Die-cast aluminum housing

L70 life of 50,000+ hours

5 year warranty

Options:

Choice of black, bronze, gray, or white

Choice of 15 optics & distribution variations

Vandal resistant screws

Bird spikes

Access Fixtures 5-Year Warranty

All Access Fixtures products come with a 5-year warranty. If your product is found to have a manufacturing defect, we will replace components, the entire product, or issue a refund. We stand behind the quality of our products. Our customer service team, located in Worcester, MA, is happy to address any questions, comments, or concerns you may have. Please give us a call at 800-468-9925. Please view Access Fixtures return policy.

Need a Photometric Analysis for Your APTU 80 LED Turtle Friendly Modular Full Cutoff Wall Pack, 120-277v Project?

A photometric analysis creates a computer simulation of a particular project. No matter what you are lighting, a photometric analysis is an easy way to quantify

light levels before purchasing. When a report is generated, a lighting specialist will walk you through it so you know exactly what you will be receiving. Photometrics include average and minimum footcandles, uniformity ratios, spacing, light trespass info, and more. Plus, the cost of the study is refunded back to you when you purchase the fixtures. Call us at 800-468-9925 for more information about ordering a photometric analysis for your project.

Ready to Order APTU 80 LED Turtle Friendly Modular Full Cutoff Wall Pack, 120-277v or Speak to a Lighting Specialist?

You can place your order online, [here](#). Or, if you want additional information, give us a call at 800-468-9925. Does your project require multiple fixtures? Ask us about quantity discounts. Our team of friendly expert lighting specialists are available to provide what you need to purchase fixtures and illuminate your project with confidence.

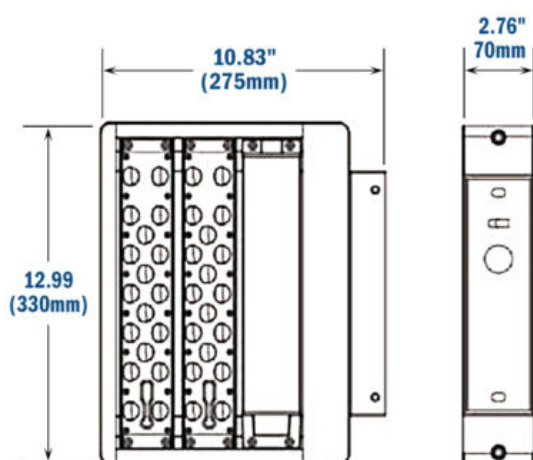
Product Attributes

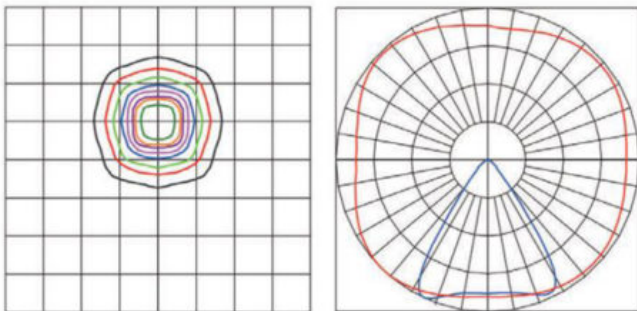
- Dimensions: 15 × 15 × 5 in
- Weight: 15 lbs
- Availability: Typically ships in 6-8 weeks.
- Available Finishes: Black, Bronze, Gray, White
- Housing: Modular design, Die cast aluminum housing, Finish meets 1000-hour salt-spray certification per ASTM B117/ ISO 9227:2012
- Lens: 15+ optical lenses available for specific distribution patterns
- Light Source: 590nm Amber
- Light Source Included: LED Array Included
- Light Source Lumens: 5070
- Listings: IP67, CB, CE, CuL Listed, DLC Listed, LM79, RoHS, SAA, UL Listed
- Mounting: Wall Mount
- Product Family: APTU
- Rated Life: 50,000 Hours
- System Watts: 78

- Voltage: 120-277v
- Warranty: 5-Year Limited Warranty
- Style: Full Cutoff

Product Gallery

APTU 78w LED Marine Turtle Wall Pack





APTU LEDs feature built-in beam angles.
Shown here are ISO plot and polar curve for a 60° beam angle.



