

APEL 60w LED Outdoor Post Light, 120-277v



SKU: AF53XYZTL855A60W

Product Page:

<https://www.accessfixtures.com/p/apel-60w-led-outdoor-post-light-package-120-277v/>

Product Description

APEL 60w LED Outdoor Post Light, 120-277v is designed for reliability, durability, as well as easy maintenance.

Value: Classic style and commercial / municipal grade construction with entry level pricing.

Optics: LED array precisely engineered to provide even illumination while open lens enhances light distribution and minimizes glare.

Multiple Options: Choice of options allow you to truly customize this project to

meet all your design needs.

Features

APEL 60w LED Outdoor Post Light, 120-277v includes:

- Die-cast aluminum housings with built-in heat sinks and corrosion-resistant polyester powder coatings - Open lens - Fixture fits 2 7/8" vertical tenons - Wide-angle 120-degree beams deliver broad circles of light - Color Rendering Index of 70 - Drivers are 50/60Hz - 120-277v - ETL Listed; IP65 Rated - 50,000 hour L70 rated life - 5 year Access Fixtures warranty Options
- Choice of Finish: Bronze, Black, or custom RAL colors available upon request - Kelvin temperature - Sensor Access Fixtures Warranty

Access Fixtures is proud to assemble high quality, long lasting lighting products which are covered by a 5-year warranty. In accordance with our warranty policy, we will offer repair, replacement, or refund for qualifying claims. Please contact our friendly customer service team, located in Worcester, MA, to address any questions or concerns you may have. We can be reached at 800-468-9925 Monday-Friday 9-5 EST or via email at sales@accessfixtures.com. Click here to view Access Fixtures' [complete warranty policy](#). Need a Photometric Analysis for Your Project?

A photometric analysis creates a computer simulation of a particular project. No matter what you are lighting, a photometric analysis is an easy way to quantify light levels before purchasing. When a report is generated, a lighting specialist will walk you through it so you know exactly what you will be receiving. Photometrics include average and minimum footcandles, uniformity ratios, spacing, light trespass info, and more. Plus, the cost of the study is refunded back to you when you purchase the fixtures. Call us at 800-468-9925 for more information about ordering a photometric analysis for your project.

Ready to Order or Speak to a Lighting Specialist?

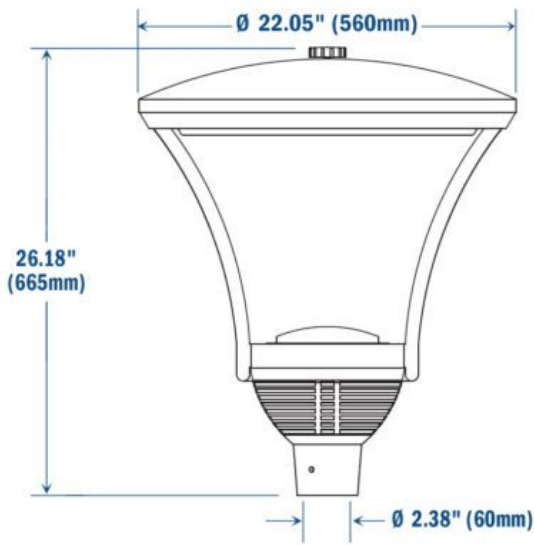
You can place your order online or if you want additional information, give us a call at 800-468-9925. Our team of friendly, expert high performance lighting specialists are available to provide what you need to purchase fixtures and illuminate your project with confidence.

Product Attributes

- Dimensions: 25 × 25 × 7 in
- Weight: 21 lbs
- Light Source: 2200 Kelvin - Very Warm White, 3000K - Neutral White, 4000K - Cool White, 5000K - Bright White
- Availability: Typically ships in 8-10 weeks.
- Available Finishes: Black, Bronze, Custom RAL
- Ballast/Driver: Electronic 50/60 Hz
- Color Rendering Index (CRI): 70+
- Components: LED Post-Top Luminaire
- Housing: Die-Cast Aluminum Housing with Built-In Heat Sink
- Lens: Polycarbonate
- Listings: ETL Listed, IP65
- Mounting: Round Pole Mount
- Rated Life: 50,000 Hours
- System Watts: 60
- Warranty: 5-Year Limited Warranty
- Light Source Included: LED Array Included
- Light Source Lumens: 5400

Product Gallery

APEL 30-45-60w POST LIGHT



APEL POST LIGHT Light Distribution Curve

