

## CARA 22w LED Area/Wall/Flood, Mounting Options, EXTREME-LIFE



**SKU:** AF33XKH15Q\*1X22

**Product Tags:** [Area Light](#), [Flood Light](#), [LED](#), [Wall Pack](#)

**Product Page:**

<https://www.accessfixtures.com/p/cara-22w-led-area-wall-flood-extreme-life/>

### Product Description

CARA 22w Area/Flood/Wall-Pack Light, Mounting Options, EXTREME-LIFE

#### Features:

- 22w and 37w - 3000K, 4000K, 5000K - Type III: 116 LPW / 2,875 lumens -
- Type V: 111 LPW / 2,742 lumens - Narrow beam: 112 LPW / 2,682 lumens -
- Type III BUG rating: 1, 0, 1 - Type V BUG rating: 1, 0, 0 - Choice of Finish:
- Bronze or custom RAL colors available upon request - Horizontal cut-off
- mounting configurations - Shielded IES Type V distribution - Die-cast aluminum

housing and front frame - Integral heat sinking and driver compartment - Photocell Adaptable - Nickel-plated stainless steel hardware - CSA listed for wet locations - IP66 sealed LED compartment - Textured architectural bronze powdercoat finish over a chromate conversion coating - Tempered clear flat glass lens - Mounted with arm, 2<sup>3</sup>/<sub>8</sub>" Diameter Mounting Arm Adapter, or Easy Hang Wall Bracket (factory Installed) - Electronic driver - 120-277v, or 347-480v

120-277VAC 10KA Surge Suppressor

347-480VAC 10KA Surge Suppressor

- 0-10V Dimming Standard for a Dimming Range of 100% to 10%; Dimming Source Current is 150 Microamps - Operating temperature: -40°C~+50°C

environment CARA 22w LED Area/Flood/Wall Light Options:

- Choice of Finish: Bronze or custom RAL colors available upon request -

347-480v - Motion sensors available for heights of 20ft - 35ft or 18ft or less -

Tempered clear flat lens or opal diffuser lens

Photocell Adaptable

- Pencil photocell 120-277VAC - Die-cast adaptor for 3" to 4" poles for use with CARA mounting arm only - Die-cast wall mount adaptor for use with CARA mounting arm only - Single pole tenon spoke bracket, 2<sup>3</sup>/<sub>8</sub>" Horizontal Mounting Arm - Twin pole tenon spoke bracket, 2<sup>3</sup>/<sub>8</sub>" Horizontal 90° Mounting Arm - Twin Pole Tenon Spoke Bracket, 2<sup>3</sup>/<sub>8</sub>" Horizontal 180° Mounting Arm - Triple Pole Tenon Spoke Bracket, 2<sup>3</sup>/<sub>8</sub>" Horizontal 90° Mounting Arm - Triple Pole Tenon Spoke Bracket, 2<sup>3</sup>/<sub>8</sub>" Horizontal 120° Mounting Arm

Quad Pole Tenon Spoke Bracket, 2<sup>3</sup>/<sub>8</sub>" Horizontal 90° Mounting Arm

- All brackets include hardware - 90-minute battery backup - Wire guard - Glare shield - Motion sensor - Surge protection - Opal lens diffuser Access Fixtures

Warranty

Access Fixtures is proud to assemble high quality, long lasting lighting products which are covered by a 5-year warranty. In accordance with our warranty policy, we will offer repair, replacement, or refund for qualifying claims. Please contact our friendly customer service team, located in Worcester, MA, to address any questions

or concerns you may have. We can be reached at 800-468-9925 Monday-Friday 9-5 EST or via email at [sales@accessfixtures.com](mailto:sales@accessfixtures.com). Click [here](#) to view Access Fixtures' [complete warranty policy](#). Need a Photometric Analysis for Your CARA Area/Flood/Wall Light Project?

A photometric analysis creates a computer simulation of a particular project. No matter what you are lighting, a photometric analysis is an easy way to quantify light levels before purchasing. When a report is generated, a lighting specialist will walk you through it so you know exactly what you will be receiving. Photometric studies include average and minimum footcandles, uniformity ratios, spacing, light trespass info, and more. Plus, the cost of the study is refunded back to you when you purchase the fixtures. Call us at 800-468-9925 for more information about ordering a photometric analysis for your project.

Ready to Order or Speak to a Lighting Specialist?

You can place your order online, [here](#). Or, if you want additional information, give us a call at 800-468-9925. Does your project require multiple fixtures? Ask us about quantity discounts. Our team of friendly expert lighting specialists are available to provide what you need to purchase fixtures and illuminate your project with confidence.

## Product Attributes

- Dimensions: 21 &times; 12 &times; 12 in
- Weight: 12 lbs
- Application: Area Lights, Flood Lights, Wall Packs
- Availability: Typically ships in 7-10 business days
- Available Finishes: Bronze
- BUG Rating: TYPE III: 1, 0, 1, TYPE V: 1, 0, 0
- Housing: Nickel plated stainless steel hardware, Die cast aluminum housing
- Light Source: 3000 Kelvin LED Light Fixtures, 4000K - Cool White, 5000K - Bright White

- Lens: Clear flat tempered glass lens, Opal diffuser lens
- Light Source Included: LED Array Included
- Light Source Lumens: 2875
- Listings: CSA - listed for wet Locations, IP66
- Mounting: Knuckle Mount, Easy-hang wall bracket, Mounting Arm, Slipfitter for 2 3/8

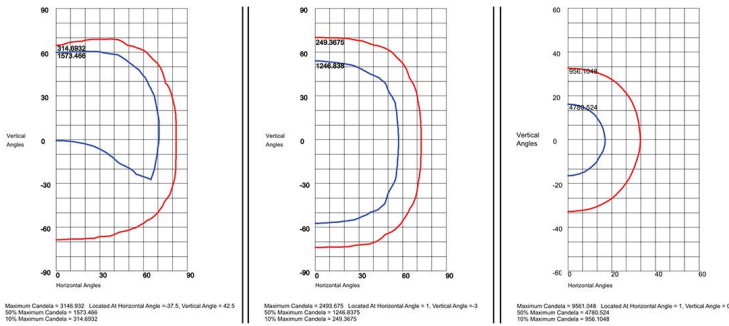
"

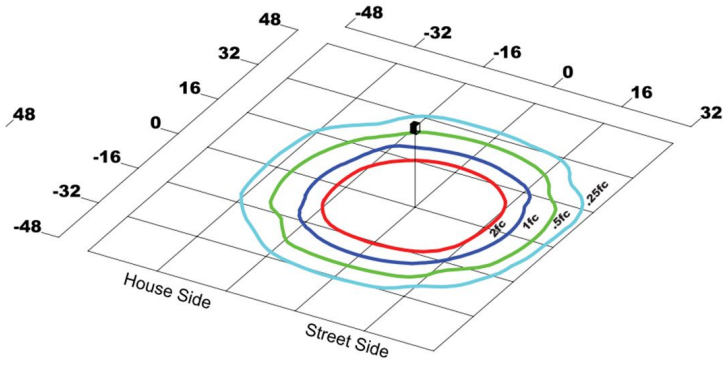
tenons, Two-Piece Swivel Bracket, Yoke Mount/U-Bracket Mount

- Product Family: CARA
- Rated Life: L70 @ 320,000 hours
- Style: Full Cutoff
- System Watts: 22w
- Voltage: 120v, 208v, 240v, 277v, 347v, 480v
- Warranty: 5-Year Limited Warranty

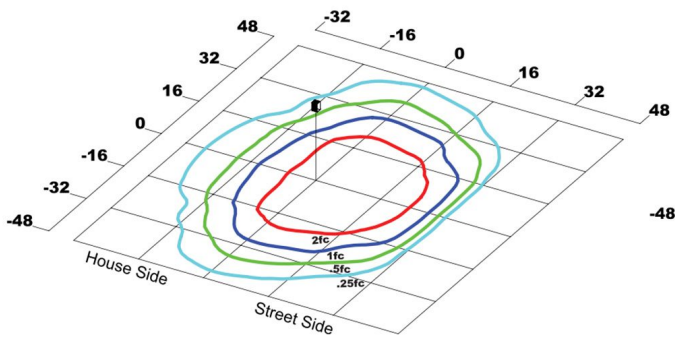
## Product Gallery





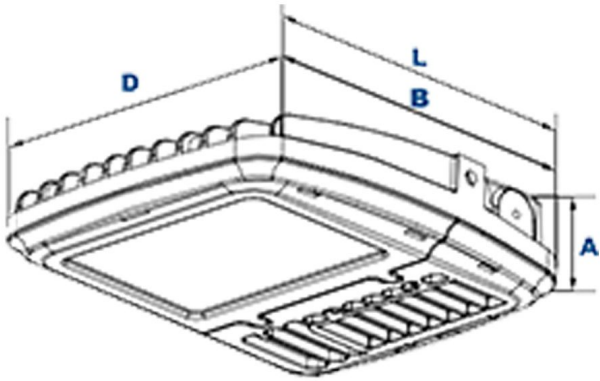


Grid in MH  
MH=16 Feet



Grid in MH  
MH=16 Feet





### Dimensions

<b>Width (D)</b>	9½" (240mm)
<b>Length (B)</b>	11¼" (299mm)
<b>Height (A)</b>	3¾" (92mm)



**BUY AMERICAN  
ACT COMPLIANT**