

CUTO 103 LED Full Cutoff Wall Pack, 4000 or 5000 Kelvin, 120-277v



SKU: AF55XSML3120T4/100

Product Tags: [LED](#), [Wall Pack](#)

Product Page:

<https://www.accessfixtures.com/p/cuto-103w-led-full-cutoff-wall-pack-120-277v/>

Product Description

Features:

- Die cast aluminum housing - Low profile surface mount - 103w integrated LEDs - 120-277v - L70 rated @ 50,000 hours - 14,003 lumens - Shatter resistant polycarbonate lens - UL and CUL listed - 70+ CRI ([learn more about Color Rendering Index here](#)) - 8.15" x 14.2" x 9.55" Options:
- Optional photocell - Type III or IV optics - Optional battery backup driver - Optional 10KV surge protection - 4000K or 5000K Access Fixtures Warranty

Access Fixtures is proud to assemble high quality, long lasting lighting products which are covered by a 5-year warranty. In accordance with our warranty policy, we will offer repair, replacement, or refund for qualifying claims. Please contact our friendly customer service team, located in Worcester, MA, to address any questions or concerns you may have. We can be reached at 800-468-9925 Monday-Friday 9-5 EST or via email at sales@accessfixtures.com. Click [here](#) to view Access Fixtures' [complete warranty policy](#). Ready to Order or Speak to a Lighting Specialist?

If you need some additional information about this fixture, give us a call at 800-468-9925. Of course, you can place your order online, right here, but our team is available to answer any questions that may come up. If your project requires multiple fixtures, ask us about quantity discounts. We are here to provide anything you need to purchase fixtures and illuminate your project with confidence.

Product Attributes

- Dimensions: 14 × 10 × 8 in
- Weight: 5 lbs
- Availability: Typically ships in 7-10 business days
- Light Source: 4000K - Cool White, 5000K - Bright White
- Available Finishes: Bronze
- Color Rendering Index (CRI): 70+
- Housing: Die cast aluminum housing
- System Watts: 103
- Lens: Clear prismatic polycarbonate lens
- Light Source Included: LED Array Included
- Light Source Lumens: 14,003
- Listings: RoHS Compliant, ANSI/UL 1598, 8750, CUL, FCC Listed
- Mounting: Surface Mount
- Mounting Height: 15 ft., 20 ft., 25 ft.
- Product Family: CUTO

- Rated Life: 50,000 Hours
- Voltage: 120-277v
- Warranty: 5-Year Limited Warranty
- Style: Full Cutoff

Product Gallery

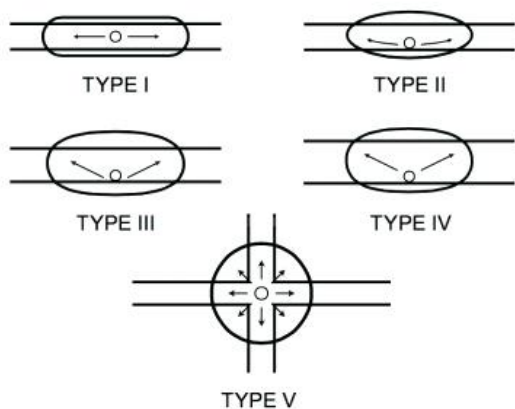
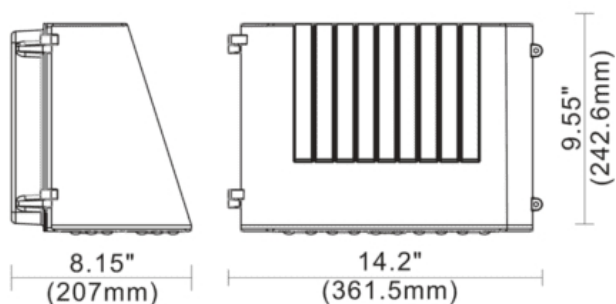
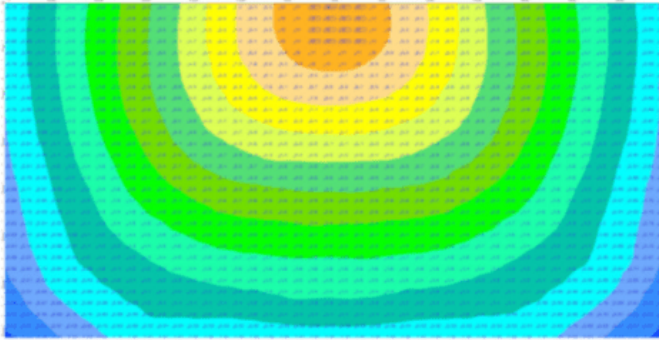


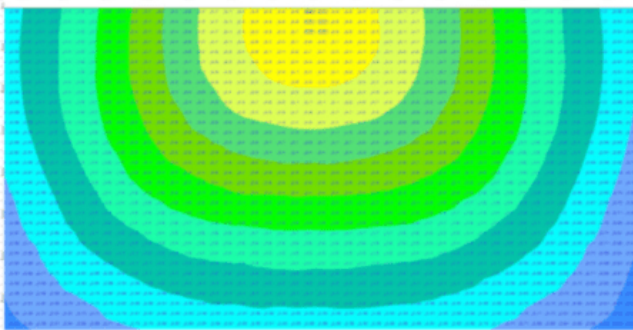
Figure 7. IESNA Outdoor lighting distribution types I - V.

15'



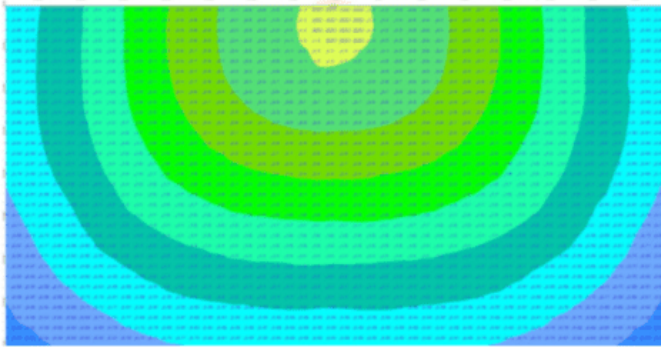
34' out, 64.5' wide

20'



35.5' out, 69.5' wide

25'



35' out, 69.5' wide