

EMBU 136 High Temperature High Bay, Narrow Beam, Mount at 30-50 ft



SKU: AF33XHB44QIF1X136U

Product Tags: [LED](#)

Product Page:

<https://www.accessfixtures.com/p/embu-136-high-temperature-high-bay-narrow-beam-mount-at-30-50-ft/>

Product Description

EMBU 136 High Temperature High Bay, Narrow Beam, Mount at 30-50 ft is engineered for industrial locations with high ambient temperatures and 30- to 50-foot mounting heights.

High Ambient Temperature: Engineered for industrial locations with high ambient temperatures up to 122°F.

High Mounting Heights: Narrow beam accommodates mounting from 30 to 50 feet.

Customizable Lens: Choose an open luminaire or one of four lenses: Clear Glass, Acrylic Conical Lens, Acrylic Drop Lens, or shatter resistant Polycarbonate (impact resistant) Drop Lens

Features

- Kelvin Temperature - 5000K - Color Rendering Index (CRI) - 80+ - Lumens - 20,292 (delivered lumens vary based on lens selection) - L70 Life: 302,000 hours - Listings - CSA: Listed for damp locations, IP65 sealed LED compartment
 - Mounting - 3/4" die cast hook included - Housing - Die-cast aluminum housing with external heat sinks - Heat Management - aluminum boards with large surface area improves heat dispersion, cooler LEDs = longer lifespan and more reliable performance - Finish - Powdercoat over chromate conversion coating.
- Options**
- Microwave motion sensor - 120-277v or 347-480v - White or custom RAL - Choice of lens: clear glass, acrylic conical lens, acrylic drop lens, polycarbonate drop lens - Surge protection - Emergency battery backup Access Fixtures 5-Year

Warranty

All Access Fixtures products come with a 5-year warranty. If your product is found to have a manufacturing defect, we will replace components, the entire product, or issue a refund. We stand behind the quality of our products. Our customer service team, located in Worcester, MA, is happy to address any questions, comments, or concerns you may have. Please give us a call at 800-468-9925. Please view Access Fixtures' [return policy](#).

Get a Custom Photometric Analysis for Your EMBU 136 High Temperature High Bay, Narrow Beam, Mount at 30-50 ft Project

A photometric analysis is a custom computer simulation of your particular project. This service provides average footcandles at various heights, max/min (uniformity) ratios, minimum footcandles, light trespass levels, and more. For exacting lighting specifications, a photometric analysis helps you ensure light levels before making a big purchase. One of our lighting specialist will walk you through the process so you know exactly what you will be receiving. Call us at 800-468-9925 or

customerservice@accessfixtures.com for more information about ordering a photometric analysis for your project.

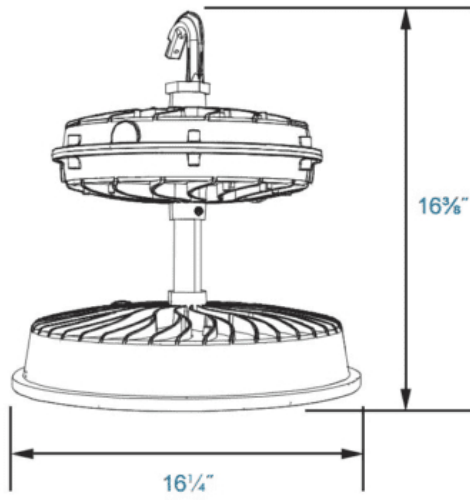
Ready to Order EMBU 136 High Temperature High Bay, Narrow Beam, Mount at 30-50 ft or Speak to a Lighting Specialist?

You can place your order online, here. Or, if you want additional information, give us a call at 800-468-9925. Does your project require multiple fixtures? Ask us about quantity discounts. Our team of friendly expert lighting specialists are available to provide what you need to purchase fixtures and illuminate your project with confidence.

Product Attributes

- Dimensions: 16.25 × 16.25 × 16.38 in
- Weight: 37 lbs
- Availability: Typically ships in 7-10 business days
- Light Source: 5000K - Bright White
- Available Finishes: White, Custom RAL
- Color Rendering Index (CRI): 80+
- Ballast/Driver: Electronic 50/60 Hz
- Light Source Included: LED Array Included
- Light Source Lumens: 15,000
- Listings: CSA: Listed for damp locations, DLC Listed, IP54, IP65
- Mounting: High Bay Hook
- System Watts: 136
- Voltage: 120-277v
- Warranty: 5-Year Limited Warranty
- Rated Life: 302,000 Hours

Product Gallery





**BUY AMERICAN
ACT COMPLIANT**