

HEZE 25 LED Full Cutoff Wall Pack, EXTREME-LIFE, 347-480v



SKU: AF33XWPC12QH

Product Tags: [LED](#), [Wall Pack](#)

Product Page:

<https://www.accessfixtures.com/p/heze-25w-full-cutoff-wall-pack-347v-480v-70w-hid-eqv/>

Product Description

The HEZE 28w LED Full Cutoff Wall Pack, Extreme Life, 347-480v is a perfect commercial lighting solution for those who need a durable, long-lasting wall pack.

Full Cutoff: The full cutoff design of this wall pack helps to meet local lighting ordinances by minimizing light trespass - also making it neighbor and dark-sky friendly.

Extreme Life: L70 rated life of 196,000 hours. This means that after 196,000 hours this fixture will still deliver 70% or more of its initial lumens - making it virtually maintenance-free.

Durable Construction: This HEZE wall pack fixture is made of die-cast aluminum and IP65 rated against water and dust.

Features:

- Die cast aluminum housing - Textured architectural powdercoat finish over a chromate conversion coating - 28w integrated LEDs - 120-277v - 2,251 lumens
- Tempered clear glass lens - Mountable at multiple heights - IP65 rated - CSA listed for wet locations, ANSI/UL 1598, 8750 - Dimmable driver 0-10v - 80+ CRI ([learn more about Color Rendering Index here](#)) - Type 3 optics - 8.875 × 12.50 × 5.75 in - 12 lbs. - Mounts over a 4" recessed outlet box Options:
- Available in 4000K or 5000K ([learn more about Color Rendering Index here](#)) - Available in bronze or custom RAL ([learn more here](#)) - Surge protection - Photocell Access Fixtures Warranty

Access Fixtures is proud to assemble high quality, long lasting lighting products which are covered by a 5-year warranty. In accordance with our warranty policy, we will offer repair, replacement, or refund for qualifying claims. Please contact our friendly customer service team, located in Worcester, MA, to address any questions or concerns you may have. We can be reached at 800-468-9925 Monday-Friday 9-5 EST or via email at sales@accessfixtures.com. Click here to view Access Fixtures' [complete warranty policy](#). Need a custom Photometric Analysis for Your HEZE 28w LED Wall Pack 347-480v Project?

A photometric analysis is a custom computer simulation of your particular project. This service provides average footcandles at various heights, max/min (uniformity) ratios, minimum footcandles, light trespass levels, and more. For exacting lighting specifications, a photometric analysis helps you ensure light levels before making a big purchase. One of our lighting specialist will walk you through the process so you know exactly what you will be receiving. Call us at 800-468-9925 or customerservice@accessfixtures.com for more information about ordering a photometric analysis for your project.

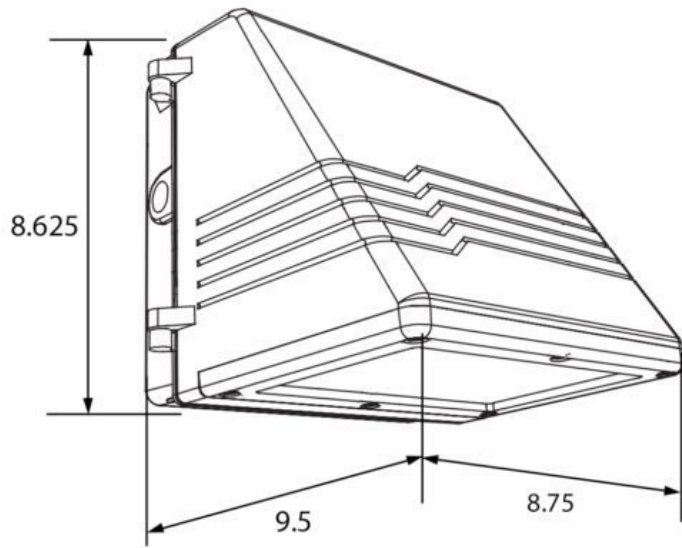
Ready to Order the HEZE 28w LED Wall Pack 347-480v or Speak to a Lighting Specialist?

If you need some additional information about this fixture, give us a call at 800-468-9925. Of course, you can place your order online, right here, but our team is available to answer any questions that may come up. If your project requires multiple fixtures, ask us about quantity discounts. We are here to provide anything you need to purchase fixtures and illuminate your project with confidence.

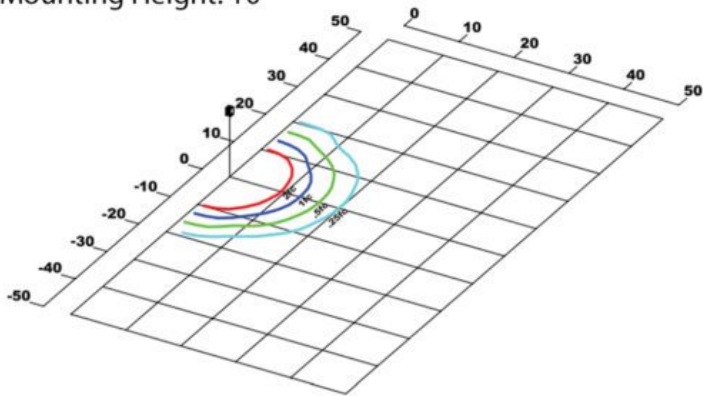
Product Attributes

- Dimensions: 15 × 10 × 8 in
- Weight: 15 lbs
- Availability: Typically ships in 7-10 business days
- Light Source: 4000K - Cool White, 5000K - Bright White
- Available Finishes: Bronze, Custom RAL
- Color Rendering Index (CRI): 80+
- Housing: Gasketed front frame, Die cast aluminum housing
- Lens: Clear flat glass lens
- Light Source Included: LED Array Included
- Light Source Lumens: 2251
- System Watts: 28
- Listings: CSA: Listed for wet locations, IP65
- Mounting: Includes template for mounting directly over 4-inch electrical box
- Mounting Height: 10 ft., 15 ft.
- Product Family: HEZE
- Rated Life: 196,000 Hours
- Voltage: 347-480v
- Warranty: 5-Year Limited Warranty
- Style: Full Cutoff

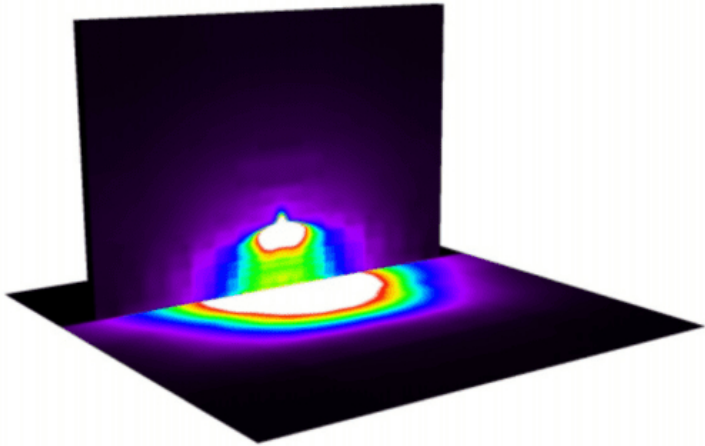
Product Gallery



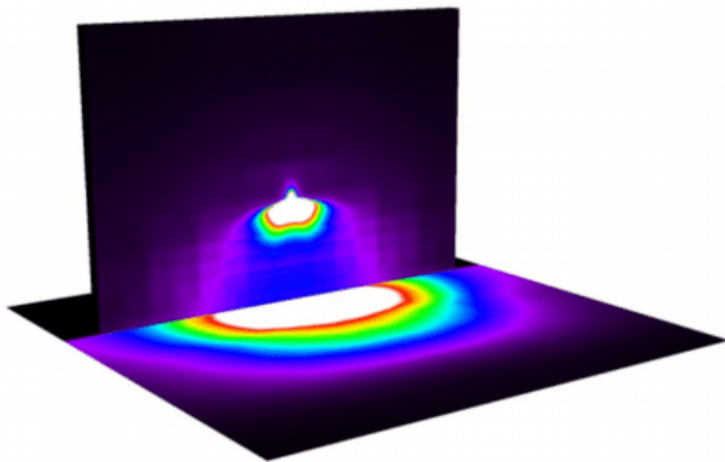
Mounting Height: 10'



**HEZE 25 Mounted at 10'
Emits > 1fc 30' Across and 15' Out**



**HEZE 25 Mounted at 15'
Emits > 1fc 30' Across and 13' Out**





**BUY AMERICAN
ACT COMPLIANT**