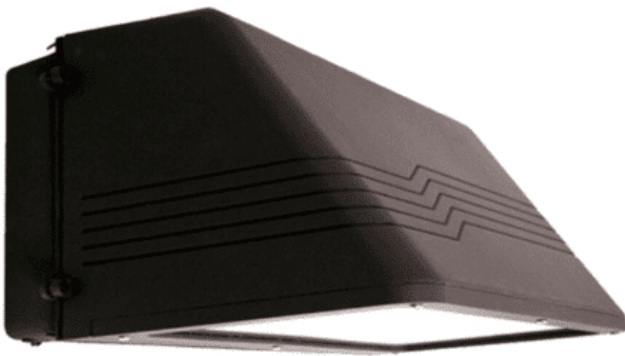


## HEZE 61w LED Full Cutoff Wall Pack, Extreme Life, 347-480v



**SKU:** AF33XWPC20QF1X56H

**Product Tags:** [LED](#), [Wall Pack](#)

**Product Page:**

<https://www.accessfixtures.com/p/heze-63w-full-cutoff-wall-pack-347v-480v/>

### Product Description

63w LED Full Cutoff Wall Pack, 347-480v, EXTREME-LIFE Features:

- 61w integrated LEDs - Die-cast hinged and gasketed aluminum front frame and housing with ½" coin plugs - 347-480v - 6,525 lumens - L70 rated life of 201,000 hours - Type V wide optics - 80+ CRI - IP65 rated - CSA listed for wet locations, ANSI/UL 1598, 8750 - Dimmable driver - 16 lbs. - 18.25 x 13.75 x 9.125 in - Mounts over a 4" recessed outlet box; Nickel plated stainless steel hardware - Mountable at multiple heights
- 63w LED Full Cutoff Wall Pack,

## 347-480v, EXTREME-LIFE Options:

Available in textured architectural bronze powdercoat finish over a chromate conversion coating or custom RAL color – learn more here.

Available in 4000K and 5000K (learn more here)

- Clear glass lens or prismatic glass lens - Surge protection - Photocell - Battery back-up Access Fixtures Warranty

Access Fixtures is proud to assemble high quality, long lasting lighting products which are covered by a 5-year warranty. In accordance with our warranty policy, we will offer repair, replacement, or refund for qualifying claims. Please contact our friendly customer service team, located in Worcester, MA, to address any questions or concerns you may have. We can be reached at 800-468-9925 Monday-Friday 9-5 EST or via email at [sales@accessfixtures.com](mailto:sales@accessfixtures.com). Click here to view Access Fixtures' [complete warranty policy](#). Need a Photometric Analysis for Your 63w LED Full Cutoff Wall Pack, 347-480v, EXTREME-LIFE Project?

A photometric analysis creates a computer simulation of a particular project. No matter what you are lighting, a photometric analysis is an easy way to quantify light levels before purchasing. When a report is generated, a lighting specialist will walk you through it so you know exactly what you will be receiving. Photometrics include average and minimum footcandles, uniformity ratios, spacing, light trespass info, and more. Plus, the cost of the study is refunded back to you when you purchase the fixtures. Call us at **800-468-9925** for more information about ordering a photometric analysis for your project.

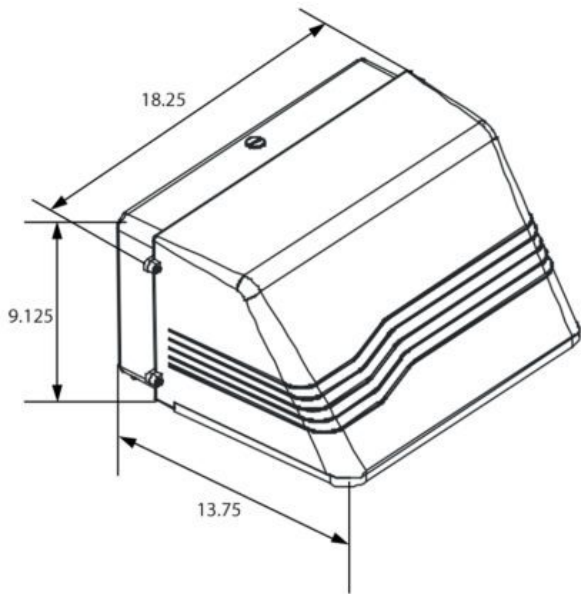
Ready to Order 63w LED Full Cutoff Wall Pack, 347-480v, EXTREME-LIFE or Speak to a Lighting Specialist?

You can place your order online or if you want additional information, give us a call at **800-468-9925**. Our team of friendly, expert high performance lighting specialists are available to provide what you need to purchase fixtures and illuminate your project with confidence.

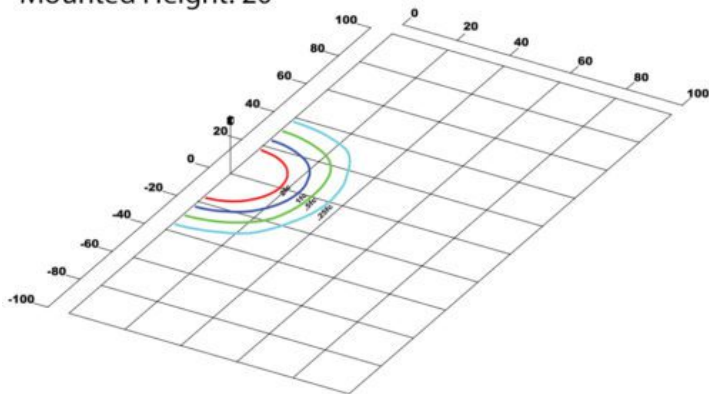
## Product Attributes

- Dimensions: 20 &times; 15 &times; 10 in
- Weight: 50 lbs
- Availability: Typically ships in 7-10 business days
- Light Source: 4000K - Cool White, 5000K - Bright White
- Available Finishes: Bronze, Custom RAL
- Color Rendering Index (CRI): 80+
- Housing: Gasketed front frame, Nickel plated stainless steel hardware, Die cast aluminum housing
- Lens: Clear flat tempered glass lens, Clear prismatic glass lens
- Light Source Included: LED Array Included
- Light Source Lumens: 6525
- Listings: CSA: Listed for wet locations, IP65
- Mounting: Power supplied via electrical box or 1/2-inch conduit, Includes template for mounting directly over 4-inch electrical box
- Mounting Height: 10 ft., 15 ft., 20 ft.
- Product Family: HEZE
- Rated Life: 201,000 Hours
- System Watts: 61
- Voltage: 347-480v
- Warranty: 5-Year Limited Warranty
- Style: Full Cutoff

## Product Gallery



Mounted Height: 20'





**BUY AMERICAN  
ACT COMPLIANT**