



HIIO 150w LED High Bay, 19,500 Lumens, IP65, Dimmable, 120-277v

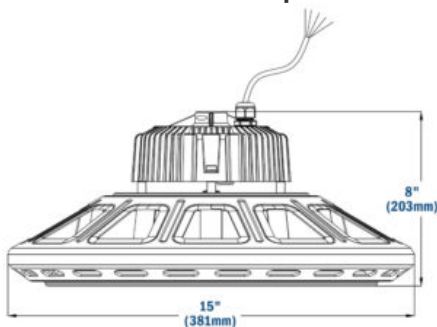
HIIO 150w LED High Bay



SKU: AF87XEVU150WBDZ

Product Page: <https://www.accessfixtures.com/p/hiio-150w-led-high-bay-19500-lumens-ip65-dimmable-120-277v/>

Product Description



HIIO LED150w High Bay, 19,500 Lumens features corrosion-resistant aluminum construction, an IP65 rating for use in wet locations.

HIIO 150w LED High Bay, 19,500 Lumens save you money both initially with their low price, and ongoing with energy-cost savings and low maintenance. Their IP65 rating ensures they are protected against dust and water

projected from a nozzle. In addition to warehouse and industrial applications, think HIIO for garages, supermarkets, gymnasiums. Their heavy-duty aluminum housing makes them a great choice for hockey rinks, batting cages, and other sports venues that require sturdy vandal-resistant fixtures. With a 5-year warranty and a 50,000-hour L70-rated life, you can plan on years of reliable, maintenance-free use.

All the Features You Want Plus Flexibility and Compatibility

HIIO's powerful LEDs are bright white 5000K. Lens and optic reflector provide outstanding light distribution. HIIOs boast 75+ CRI (color rendering index). CRI measures a luminaire's ability to reproduce colors. High CRI is crucial in industry when color differentiation is crucial. HIIO LED High Bays are a great choice when cost and quality of light are equally important.

The HIIO 150w LED High Bay, boasts dust-proof-waterproof IP65 rating. The HIIO withstands dusty locations as well as water projected from a nozzle during washdowns. Further, DLC V4.3 Premium, UL, cUL and Lighting Facts listings ensure many years of safe operation.

These HIIOs automatically detect line voltages between 120v and 277v.

HIIO 150w LED High Bays are dimmable, compatible with 0-10v dimming controls and motion, occupancy sensors, and daylight sensors. (If you don't need dimming, leave the dimming wires capped.)

Durable Construction, Installation Options Included

HIIO High Bay construction features corrosion-resistant aluminum. The entire body of the fixture acts as a heat sink creating high air flow for maximum heat dissipation. Efficient thermal management maximizes life span and lumen output and fixture life span. The fixtures are finished with a durable, corrosion-resistant black finish.

Mount the HIIO 150w LED High Bay up to 25 ft with easy-install options. Use the hook or chain mount included.

Access Fixtures 5-Year Warranty

HIIO fixtures come with 5-year warranties. If your product is found to have a manufacturing defect, we will replace components, the entire product, or issue a refund. We stand behind the quality of our products. Our customer service team, located in Worcester, MA, is happy to help with before- or after-sale questions and address your concerns. If you have any questions, give us a call at 800-468-9925.

Need a Photometric Analysis for Your Project?

A photometric analysis creates a computer simulation of a particular project. No matter what you are lighting, a photometric analysis is an easy way to quantify light levels before making a purchase. When a report is generated, a lighting specialist will walk you through it, page by page, so you know exactly what you will be receiving. Photometrics include average footcandles, minimum foot candles, uniformity ratios, fixture spacing, light trespass info, and more, plus, the cost of the study is refunded back to you when you purchase the fixture. Call us at 800-468-9925 for more information about ordering a photometric analysis for your project.

Ready to Order HIIO 150w LED High Bay, 19,500 Lumens or Speak to a Lighting Specialist?

You can place your order online, here. Or, if you want additional information, give us a call at 800-468-9925. Does your project require multiple fixtures? Ask us about quantity discounts. Our team of friendly expert lighting specialists is available to provide what you need to purchase fixtures and illuminate your project with confidence.

Product Attributes

- Dimensions: 15 × 15 × 8 in
- Weight: 15 lbs
- Availability: Typically ships in 5-7 business days
- Available Finishes: Black
- Ballast/Driver: LED Driver
- Color Rendering Index (CRI): 75+

- Color Temperature (K): 5000K
- Features: Dimmable, L70 @ 50,000 Hours, Waterproof IP65
- Housing: Aluminum
- Light Source Included: LED Array Included
- LED Type: LED
- Lens: 110-Degree Beam Angle
- Light Source: White Light Spectrum
- Listings: CUL, DLC Premium, IP65, Lighting Facts, UL
- Light Source Lumens: 19,500
- Mounting: Chain Mount, Hook Mount
- Product Family: HIIO
- Rated Life: 50,000 Hours
- System Watts Filter: 150
- Voltage: 120-277v
- Warranty: 5-Year Warranty

Product Gallery

