

## RADE 30w LED Post Light, Selectable Kelvin and Selectable Optics



**SKU:** AF38XYR-TP350-W030-CCT-X

**Product Tags:** [LED](#), [Post Top Lights](#)

**Product Page:**

<https://www.accessfixtures.com/p/radi-30w-led-post-light-selectable-kelvin/>

### Product Description

RADE 30w LED Outdoor Post Light, 120-277v includes:

- Selectable Kelvin - 3000K, 4000K, 5000K - Selectable Optics - Type III or Type V
- Die-cast aluminum housings with built-in heat sinks and corrosion-resistant polyester powder coatings
- Frosted polycarbonate lens
- Fixture fits 2 3/8" vertical tenons
- Wide-angle 120-degree beams deliver broad circles of light
- Color Rendering Index of 70
- 13.8" x 13.8" x 24.9h
- Drivers are 50/60Hz

## 120-277v - ETL Listed; IP65 Rated - 50,000 hour L70 rated life - 5 year Access Fixtures warranty Access Fixtures Warranty

Access Fixtures is proud to assemble high quality, long lasting lighting products which are covered by a 5-year warranty. In accordance with our warranty policy, we will offer repair, replacement, or refund for qualifying claims. Please contact our friendly customer service team, located in Worcester, MA, to address any questions or concerns you may have. We can be reached at 800-468-9925 Monday-Friday 9-5 EST or via email at [sales@accessfixtures.com](mailto:sales@accessfixtures.com). Click here to view Access Fixtures' [complete warranty policy](#). Ready to Order or Speak to a Lighting Specialist?

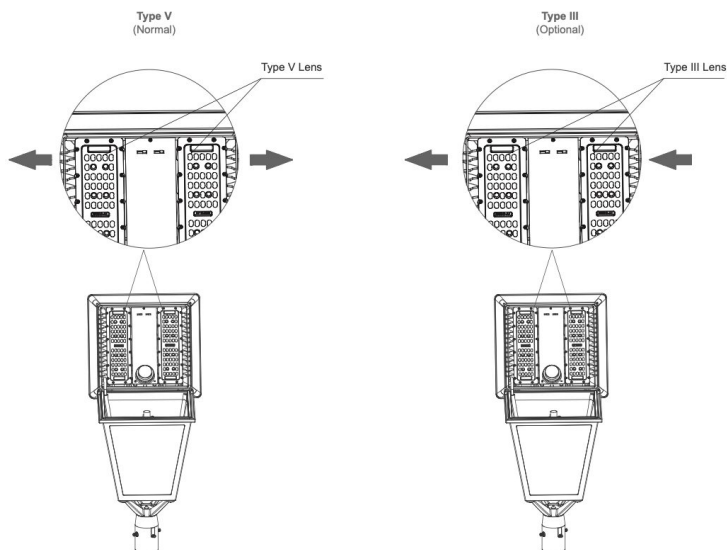
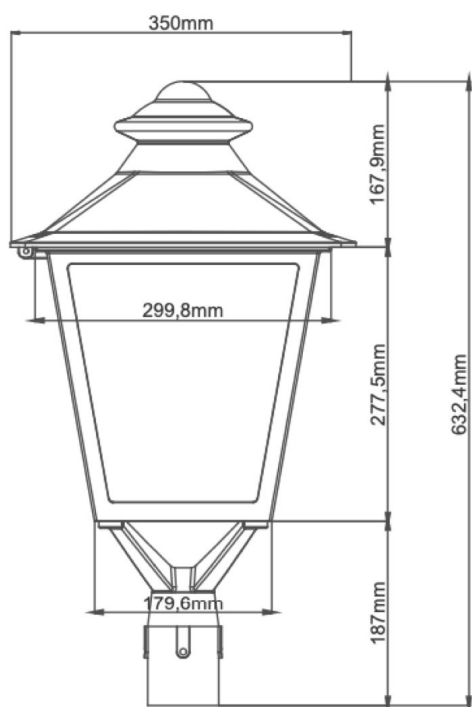
You can place your order online or if you want additional information, give us a call at 800-468-9925. Our team of friendly, expert high performance lighting specialists are available to provide what you need to purchase fixtures and illuminate your project with confidence.

### Product Attributes

- Dimensions: 16 &times; 16 &times; 28 in
- Weight: 29 lbs
- Application: LED Parking Lot Lights, Park Lights, Post Top Street Lights
- Availability: Typically ships in 7-10 business days
- Light Source: Selectable Kelvin - 3000K - 4000K - 5000K
- Available Finishes: Black
- Ballast/Driver: Electronic 50/60 Hz
- Color Rendering Index (CRI): 70+
- Components: LED Post-Top Luminaire
- Housing: Die-Cast Aluminum Housing with Built-In Heat Sink
- Lens: Frosted polycarbonate lens
- Light Source Included: LED Array Included
- Light Source Lumens: 3,300
- Listings: ETL Listed, IP65

- Mounting: Mounts on 2 3/8" Vertical Tenon
- Rated Life: 50,000 Hours
- System Watts: 30
- Voltage: 120-277v
- Warranty: 5-Year Limited Warranty

## Product Gallery



Product data have been exported from - [Access Fixtures](#)  
Export date: Mon Jan 30 18:19:48 2023 / +0000 GMT