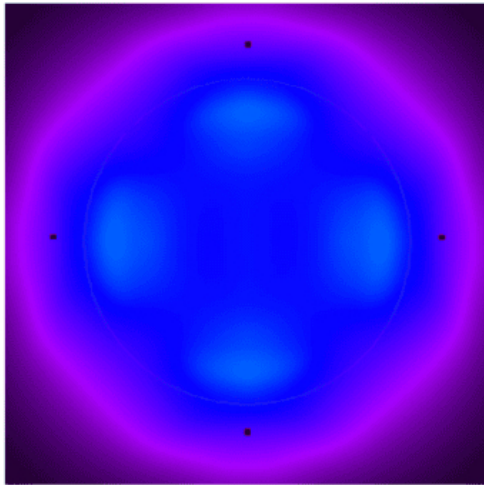




Round 60' Outdoor Riding Arena Lighting Package, Avg 16fc



SKU: ARENA60ROUND

Product Tags: [Arena](#)

Product Page:

<https://www.accessfixtures.com/p/round-60-outdoor-riding-arena-lighting-package-a-vg-16fc/>

Product Description

This Round 60' Outdoor Riding Arena Lighting Package, Avg 16fc is designed to illuminate outdoor riding arenas around 60' in diameter.

Even Lighting: Extremely even lighting across the entire 60' round arena.

Budget Friendly: Low cost lighting solution meets most recreational requirements.

Durable Fixtures: Luminaire is IP65 rated against the elements and emits 150 lumens per watt for maximum efficiency.

(4) CARU 240w Fixtures and Package Features:

- Die cast aluminum housing - CSA, ANSI/UL listed - 70+ CRI - Dimmable 0-10v
- Up to 150 lumens per watt - 50,000 hour L70 rated life - 4000K - Type 3 Optics - Slipfitter mount - IP65 Rated: protected from total dust ingress; protected from high pressure water jets from any direction - Bronze powdercoat finish - 16 average footcandles - 1.5 max/min ratio (4) 20' Pole

Features:

- Pole: 20' Foot, 4" x 4" inch - Straight Square Steel Pole - Conforms to ASTM-A 500 Grade B: Minimum Yield Strength of 46,000 PSI - Wall thickness: 11 Gauge (.120") - Finish: Textured Architectural Bronze Powdercoat Finish, Baked to Ensure Maximum Paint Adhesion, Hardness and Durability - 3/4" Anchor Bolts included - Hand Hole: Cast Iron Reinforced Hand Hole and Cover with Ground Screw. - 4" Base Cover: Poles are Provided With a Two-Piece Formed Steel Base Cover that is Easily Assembled and Fitted Over Pole Base. Access Fixtures

Round 60' Outdoor Riding Arena Lighting Package, Avg 16fc Provides Exactly What You Need

Access Fixtures high performance lighting specialists use the most advanced photometric software to ensure you get the perfect arena lighting. As the premier expert in arena lighting, Access Fixtures has designed arena lighting for dressage, outdoor & indoor arenas, polo arenas, as well as home arenas across the US and the Caribbean. Few arenas have identical needs. Some regions have local ordinances regulating light trespass, glare, and light pollution. Packages for coastal regions benefit from custom adaptations to compensate for wind, salt spray, and other local weather conditions. If you have any questions, our knowledgeable high performance lighting specialists in Worcester, MA are available to walk you through your arena LED lighting project. Call us today at **800-468-9925** to discuss your project. You can also email us at **customerservice@accessfixtures.com**.

Access Fixtures Warranty

Access Fixtures is proud to assemble high quality, long lasting lighting products

which are covered by a 5-year warranty. In accordance with our warranty policy, we will offer repair, replacement, or refund for qualifying claims. Please contact our friendly customer service team, located in Worcester, MA, to address any questions or concerns you may have. We can be reached at 800-468-9925 Monday-Friday 9-5 EST or via email at sales@accessfixtures.com. Click here to view Access Fixtures' [complete warranty policy](#). Ready to Order Round 60' Outdoor Riding Arena Lighting Package, Avg 16fc?

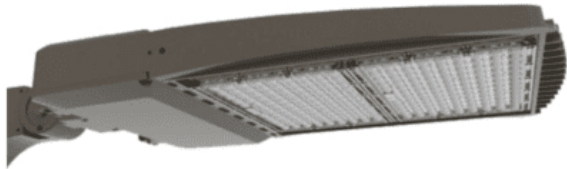
You can place your order online here. Or, if you want additional information, give us a call at **800-468-9925**. Our team of friendly, expert high performance lighting specialists are available to provide what you need to purchase fixtures and illuminate your project with confidence.

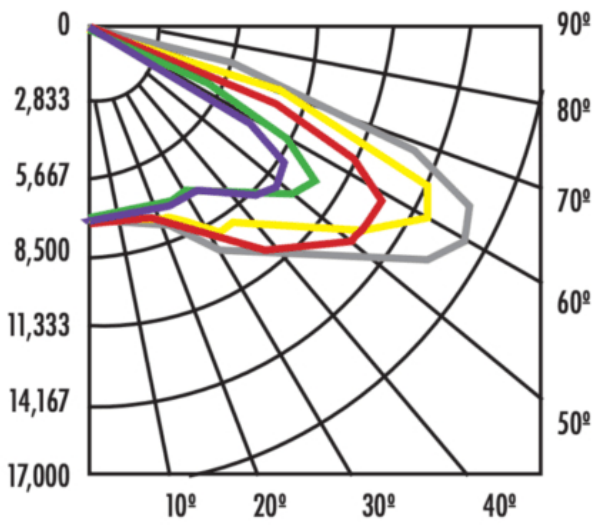
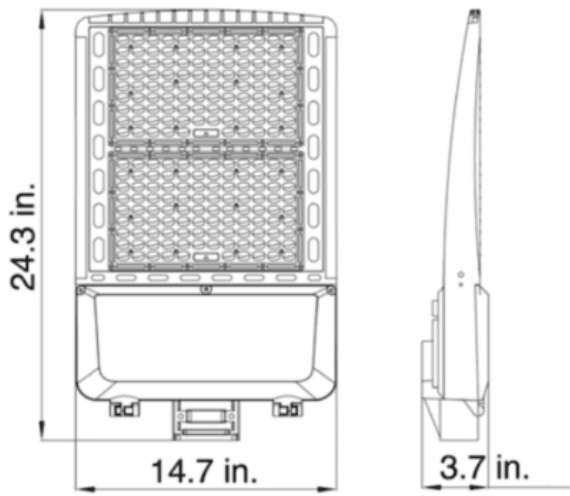
Product Attributes

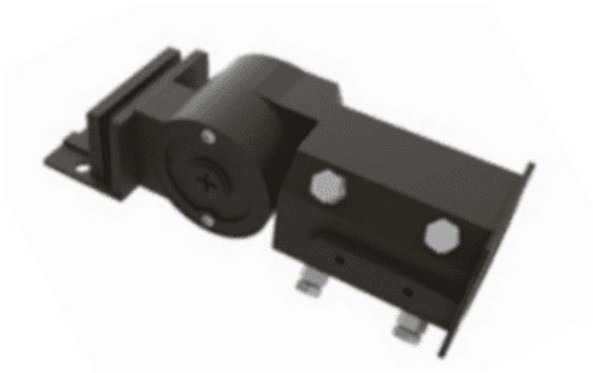
- Dimensions: 372 × 420 × 30 in
- Weight: 100 lbs
- Application: Arena Lighting
- Availability: Typically ships in 2-4 weeks
- Available Finishes: Bronze
- Average Footcandles: 16
- Ballast/Driver: 700mA Driver
- Color Rendering Index (CRI): 70+
- Components: Pole, Slip Fitter Mount, Sports Luminaire
- Housing: Die cast aluminum housing
- Indoor/Outdoor: Outdoor
- Light Source Included: LED Array Included
- Listings: IP65 sealed LED compartment, CuL Listed, DLC Listed, RoHS, UL Listed
- Max/Min Uniformity: 1.5
- Mounting: Slip Fitter

- Number of Fixtures: 4
- Number of Poles: 4
- Pole Height: 20 Feet
- Product Family: CARU
- Rated Life: 50,000+ Hours
- Warranty: 5-Year Limited Warranty
- Light Source: 4000K - Cool White
- Voltage: 120-277v

Product Gallery







Slipfitter Mount

