

SPEC SHEET



EMBU

LED HIGH BAY LIGHT

AccessFixtures.com

1 High Ambient Temperature :

EMBU is engineered for industrial locations with high ambient temperatures up to 122°F, and accommodates mounting up to 45 feet.

2 EXTREME-LIFE:

Exceptional heat sink design produces an EXTREME-LIFE rating of L70 @ 302,000 hours for years of virtually maintenance-free performance.

3 Superb Durability::

Features die-cast aluminum housing with heat sinking, IP65 wet location rating, 6KV surge protection, and lens options

highlights



PH: 800-468-9925

Sales@AccessFixtures.com

AccessFixtures.com



AccessFixtures

High-Performance Lighting Solutions



AccessFixtures

High-Performance Lighting Solutions

STAD FEATURES

Light Source	LED
Kelvin	4000K, 5000K
Size	16.25"D x 16.25"H or 22.25"D x 16.25"H
Watts	179w, 275w, 296w
Available Finishes	White, Custom RAL
Lumens	Up to 33,540
Lumens Per Watt	Up to 113 LPW
Lens	Tempered clear flat glass lens, UV-stabilized polycarbonate drop lens, acrylic drop lens, acrylic conical lens
Surge Protection	120-277VAC 10KA or 20KA, or 347-480VAC 10KA Surge Suppressor
Finish	White powder coat finish over a chromate conversion coating
Mounting	Die-cast hook
Listings	CUL, UL, DLC, IP65
Voltage	120-277v, 347,480v
CRI	70+
Warranty	5-year limited warranty

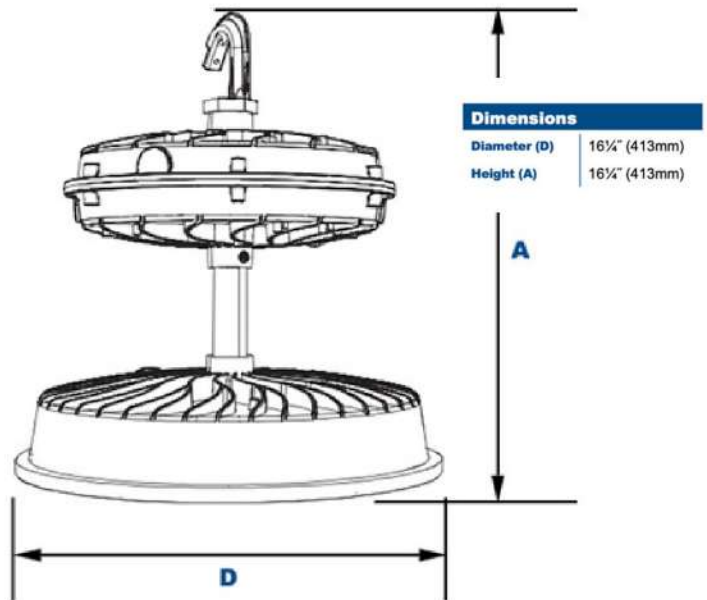
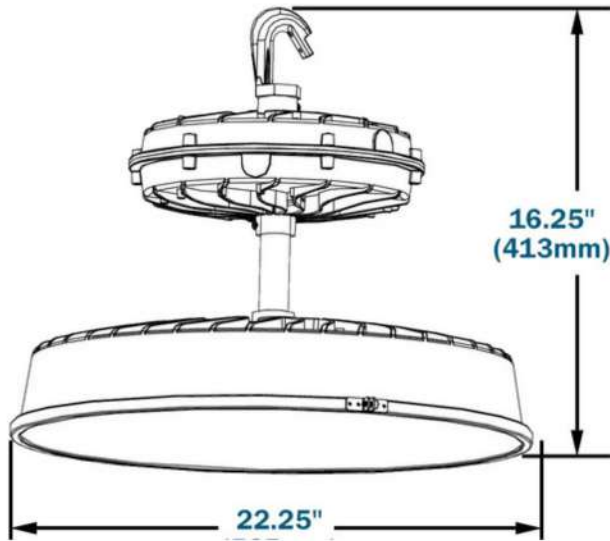
PH: 800-468-9925
Sales@AccessFixtures.com
AccessFixtures.com



AccessFixtures
High-Performance Lighting Solutions



EMBU DIMENSIONS



EMBU LENS



**Clear Flat
Tempered Glass Lens**



Acrylic Conical Lens



Acrylic Drop Lens



Polycarbonate Drop Lens

