

SPEC SHEET

ACCO

LED Wall Packs

SEMI-CUTOFF



AccessFixtures.com

1 EXTREME-LIFE:

ACCO features an impressive L70 rated life of 144,000 hours. This means that after 144,000 hours, this fixture will still emit 70% or greater of its original lumens. That's almost 15 years of sustained light!

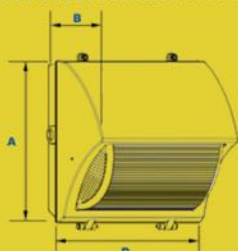
2 Durable & Waterproof:

Featuring a die-cast aluminum housing, ACCO is CSA-listed and IP65 rated for wet locations. It is fully protected against water jets, making this wall pack an ideal solution for any application where dust or water may be a concern.

3 Prismatic Glass Lens:

A prismatic borosilicate glass lens softly diffuses light and prevents glare.

highlights



Dimensions

Width (D)	11 1/4" (283mm)
Length (B)	7 3/4" (200mm)
Height (A)	12" (305mm)

PH: 800-468-9925

Sales@AccessFixtures.com

AccessFixtures.com



AccessFixtures

High-Performance Lighting Solutions



ACCO FEATURES

Light Source	Aluminum Boards
Kelvin	5000K
Available Finishes	Bronze, Custom RAL
Housing	Die-cast gasketed aluminum
BUG Rating	1, 3, 3
Optic	Type V
Photocell	Photocell Adaptable
Lens	Prismatic borosilicate lens
Rated Life	L70 @ 144,000 hours
Listings	1P65 Rated, CSA Listed
Product Family	ACCO
Voltage	120-277V, 347-480v
Mounting	Case-in template for mounting over a 4" recessed outlet box or 1/2" surface conduit
Warranty	5-year limited warranty





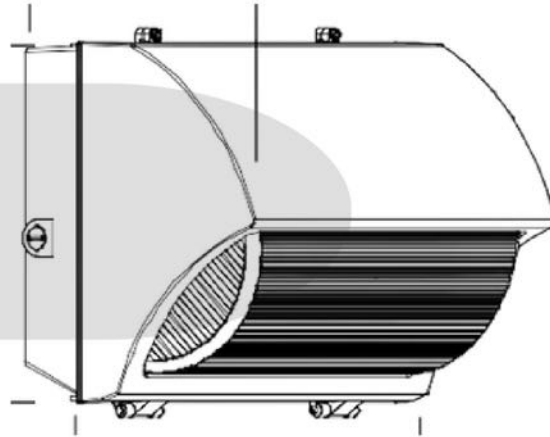
AccessFixtures

High-Performance Lighting Solutions

ACCO FEATURES

OPTIONS

- Bronze or Custom RAL

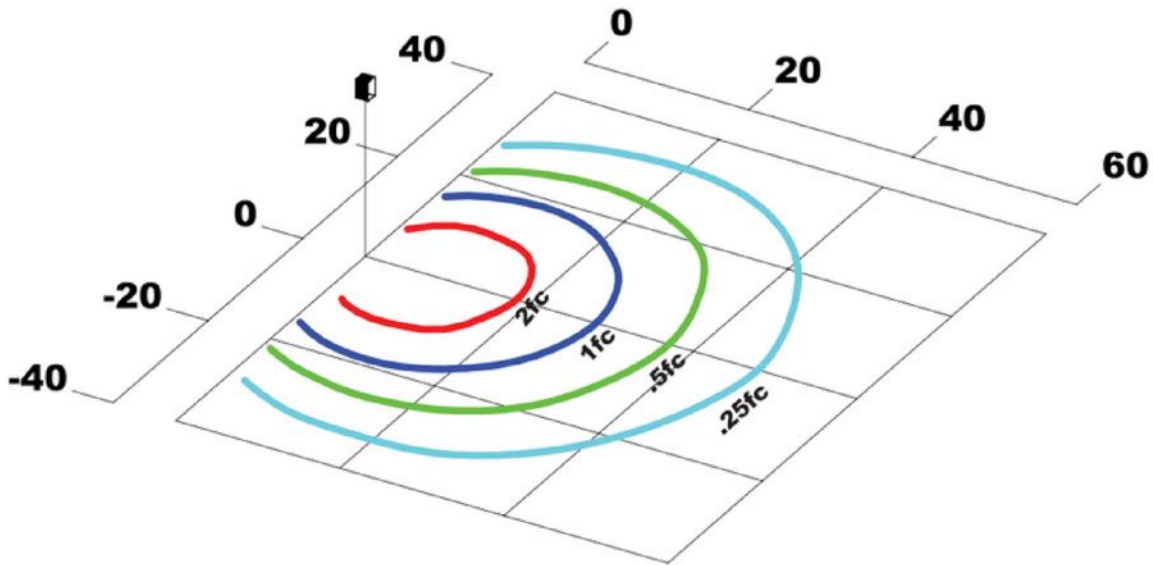




AccessFixtures

High-Performance Lighting Solutions

ACCO PHOTOMETRIC DATA



PH: 800-468-9925
Sales@AccessFixtures.com
AccessFixtures.com



AccessFixtures
High-Performance Lighting Solutions