

SPEC SHEET



MARI

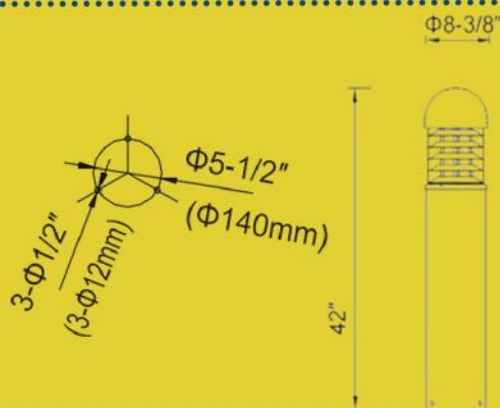
25W LED MARINE LOUVERED BOLLARD LIGHT

AccessFixtures.com

1 Marine-Grade Finish:
High-performance, marine-grade AAMA 2605-rated paint stands up to all kinds of rough weather. Tested for salt-spray resistance for 4,000 hours.

2 Louvers:
Light is directed downward and outward in a 360-degree circle via the die-cast metal louvers.

3 Vandal Resistant:
With no exterior lens the MARI bollard much harder to break or vandalize than other bollards.



PH: 800-468-9925
Sales@AccessFixtures.com
AccessFixtures.com



AccessFixtures
High-Performance Lighting Solutions



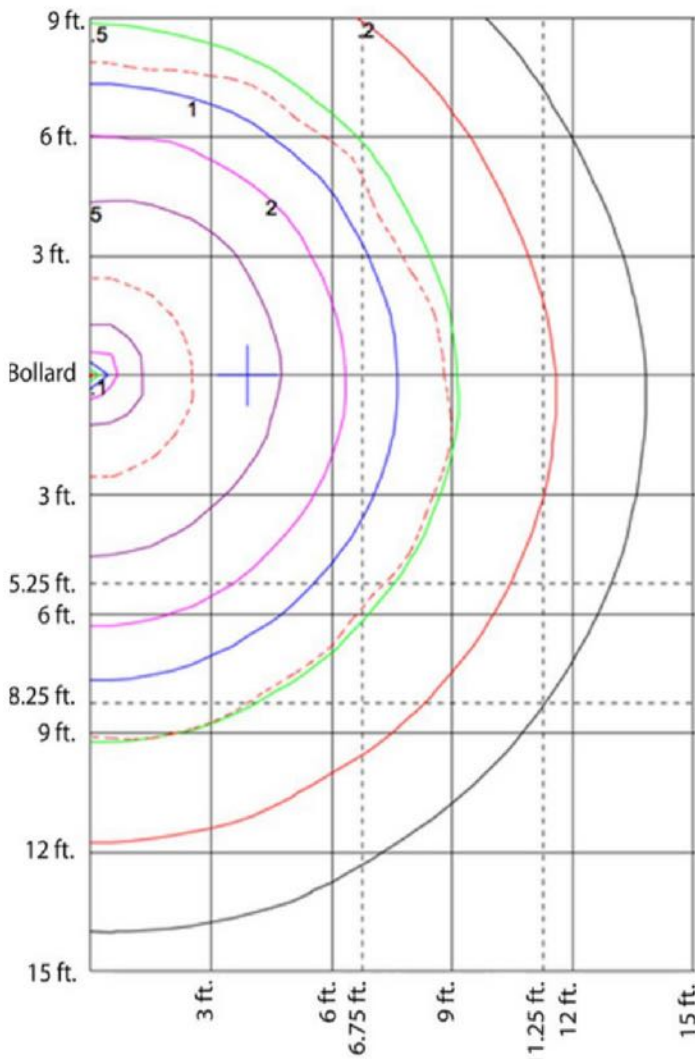
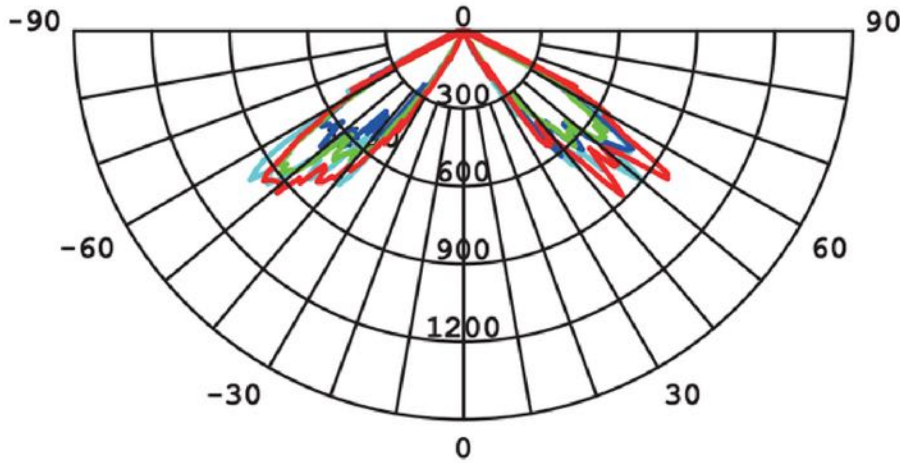
MARI FEATURES

Weight	19lbs
Dimensions	8" x 40.79"
Availability	Typically ships in 8-10 weeks. Call 800-468-9925 before ordering for exact timeline.
Light Source	LED
Available Finishes	Bronze
Finish	Die cast aluminum housing
Lens	Open Louvers
Housing	Extruded aluminum
Light Source Included	LED Array
Listings	RoHS Compliant, ETL Listed, IP65
Mounting	Mounting kit with 10" anchor bolts included
Product Family	MARI
Rated Life	L70 @ 50,000 hours
Material	Polycarbonate optical lens Aluminum alloy
System Watts	25W
Voltage	120-277v
Warranty	5-Year Limited Warranty





MARI PHOTOMETRIC DATA



**1 Footcandle
at Up to 7'
Away From
the
Bollard Light**

