

SPEC SHEET



ZIBO

LED Wall Pack

AccessFixtures.com

1 **EXTREME-LIFE:**
ZIBO is L70 rated at 165,000 hours for years of virtually maintenance-free performance.

2 **Durable & Waterproof**
Featuring a die-cast aluminum housing, ZIBO is CSA-listed and IP65 rated for wet locations. It is fully protected against water jets, making this wall pack an ideal solution for any application where dust or water may be a concern.

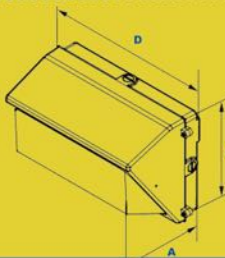
3 **Options:**
Choice of color, Kelvin, voltage, lens, and other options allows for freedom and flexibility of design.

highlights



Dimensions

Width (D)	14 1/2" (362mm)
Length (B)	7 1/4" (159mm)
Height (A)	9" (225mm)



PH: 800-468-9925
Sales@AccessFixtures.com
AccessFixtures.com



AccessFixtures
High-Performance Lighting Solutions



ZIBO FEATURES

Light Source	Aluminum Boards
Kelvin	3000K, 4000K, 5000K
Available Finishes	Bronze, Custom RAL
Housing	Die-cast aluminum
Lumens	5,943
Optic	Type IV
Lens	Prismatic clear glass lens/ Prismatic borosilicate glass lens
Listings	IP65, CSA Listed
BUG Rating	1, 4, 4
Rated Life	L70 @ 165,000 hours
Product Family	ZIBO
Voltage	120-277v, 347-480v
Mounting	Cast-in template for mounting directly over 4" recessed outlet box or use 1/2" surface conduit
Photocell	Photocell Adaptable
Warranty	5-year limited warranty





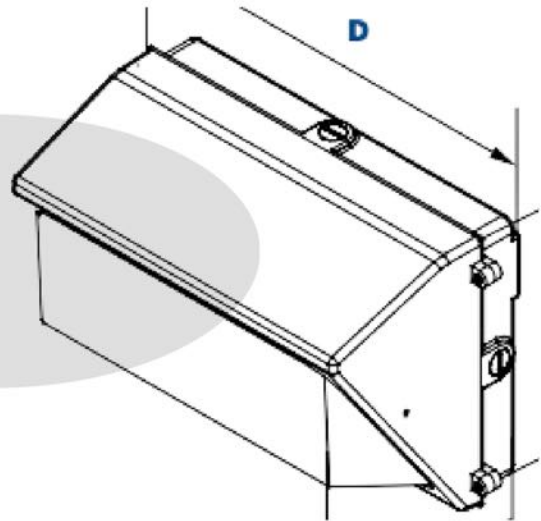
AccessFixtures

High-Performance Lighting Solutions

ZIBO FEATURES

OPTIONS

- 3000K, 4000K, 5000K
- Bronze, Custom RAL
- Photocell
- Lens options
- 347-480v
- Surge protector

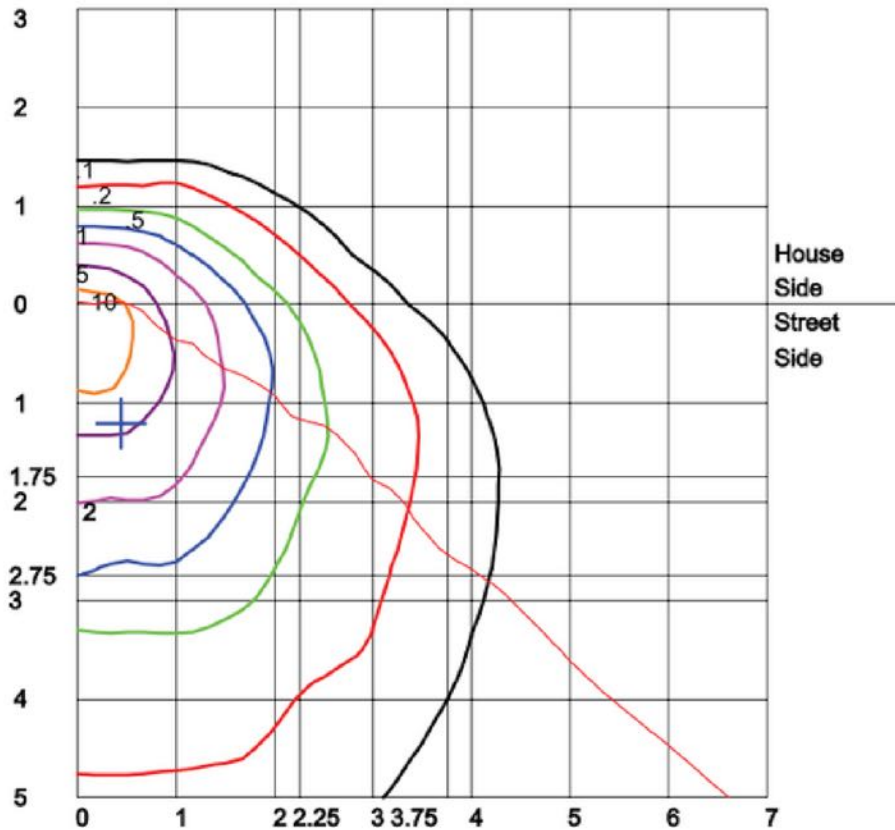




AccessFixtures

High-Performance Lighting Solutions

ZIBO PHOTOMETRICS



Distance In Units Of Mounting Height
Values Based On 10 Foot Mounting Height
1/2 Maximum Candela Trace Shown As Dashed Curve
(+) = Maximum Candela Point

