

**L70**  
25°C

**196,000 Hours**

The LEPG WPC12Q cutoff wall pack luminaire is available with a choice of optical distributions designed to replace HID lighting systems up to 175w MH or HPS. Typical wall mounted lighting applications include retail centers, industrial parks, schools and universities, public transit and airports, office buildings and medical facilities. Mounting heights of 8 to 15 feet can be used based on light level and uniformity requirements.

## Specifications and Features:

### Housing:

Die Cast Hinged and Gasketed Aluminum Front Frame and Housing with ½" Coin Plugs. Nickel-Plated Stainless Steel Hardware. Photocell Adaptable.

### Listing & Ratings:

CSA: Listed for Wet Locations, ANSI/UL 1598, 8750; IP65 Sealed LED Compartment.

### Finish:

Textured Architectural Bronze Powdercoat Finish Over a Chromate Conversion Coating. Custom Colors Available Upon Request.

### Lens:

Tempered Clear Flat Glass Lens

### Mounting Options:

Cast-in Template for Mounting Directly Over a 4" Recessed Outlet Box, or Use ½" Surface Conduit.

### EasyLED LED:

Aluminum Boards

### Wattage:

Array: 21.7w, System: 25w; (175w HID Equivalent)

### Driver:

Electronic Driver, 120-277V, 50/60Hz or 347-480V, 50/60Hz; Less Than 20% THD and PF>0.90. Standard Internal Surge Protection 2kV. 0-10V Dimming Standard for a Dimming Range of 100% to 10%; Dimming Source Current is 150 Microamps.

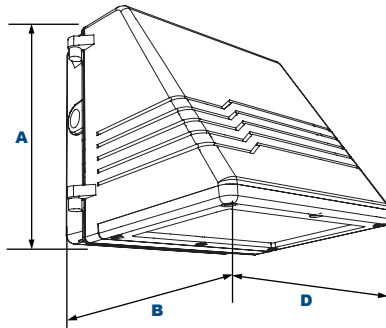
### Controls:

Fixtures Ordered with Factory-Installed Photocell or Motion Sensor Controls are Internally Wired for Switching and/or 1-10V Dimming Within the Housing. Remote Direct Wired Interface of 1-10V Dimming is Not Implied and May Not Be Available, Please Consult Factory. Fixtures are Tested with LEPG Controls and May Not Function Properly With Controls Supplied by Others. Fixtures are NOT Designed for Use with Line Voltage Dimmers.

### Warranty:

5-Year Warranty for -40°C to +40°C Environment.

See Page 2 for Projected Lumen Maintenance Table.



### Dimensions

<b>Width (D)</b>	8¾" (222mm)
<b>Length (B)</b>	9½" (241mm)
<b>Height (A)</b>	8¾" (219mm)

### Order Information Example:

WPC12QC1X22U5KCZSP

WPC12Q		1X22			C		
Model	Optics	Wattage	Driver	CCT	Lens	Color	Options
WPC12Q=EasyLED Constellation Small Full Cutoff Wall Pack	C=Type III F=Type V	1X22=22w	U=120-277V H=347-480V	4K=4000K 5K=5000K	C=Clear Flat Glass Lens	Z=Bronze C=Custom (Consult Factory)	SF=Single Fuse (120-277V Only) DF=Double Fuse (120-277V Only) SP=Surge Protection P10=Pencil Photocell, 120VAC P12=Pencil Photocell, 208-277VAC P14=Pencil Photocell, 120-277VAC P20=Swivel Photocell, 120VAC P22=Swivel Photocell, 208-277VAC BU=Battery Backup, 90 Minutes

### Project Information:

Project Name: \_\_\_\_\_ Fixture Type: \_\_\_\_\_

Complete Catalog #: \_\_\_\_\_ Date: \_\_\_\_\_

Comments: \_\_\_\_\_

### Certification & Listings:



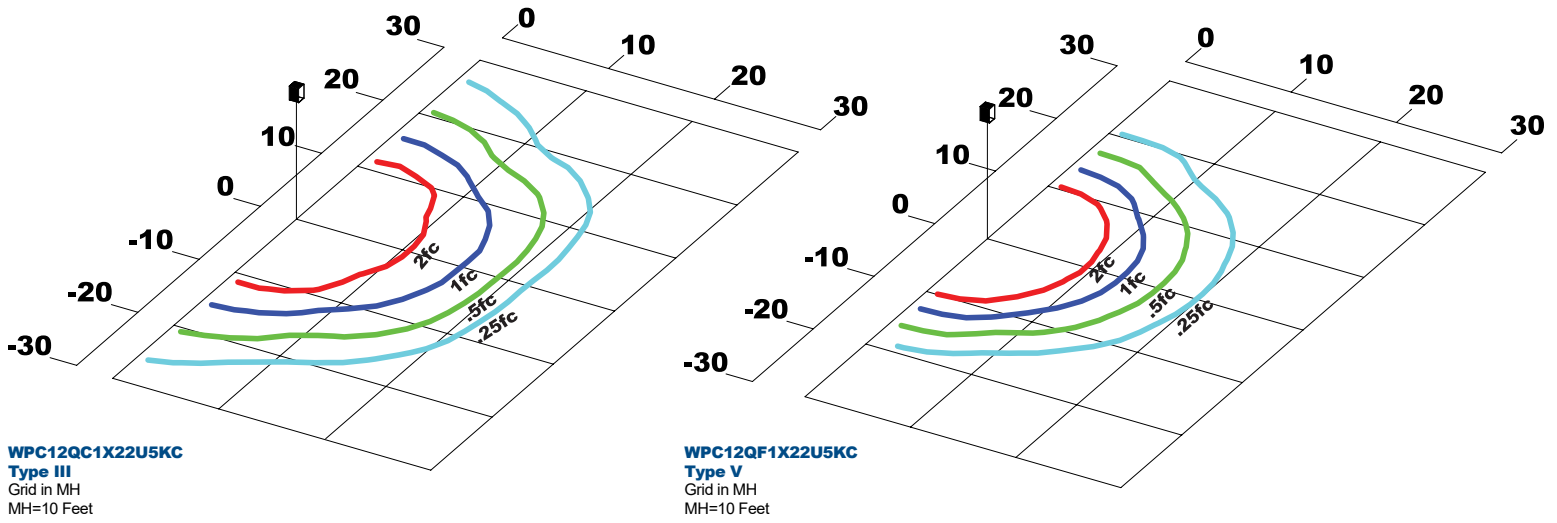
**Accessories & Replacement Parts:**



Input Voltage: 100-277VAC, 50/60Hz Input Current: 60A Max. Input Power: 4W Max. Driver Type: Constant Current Output Current: 190mA Output Voltage Range: 15-55VDC Output Wattage: 10W Output Type: LED Class 2 Battery Discharge Time: 90 Minutes Min. Ambient Operating Temperature Range: 0°C to 55°C (50°F to 122°F) Input Surge Protection: 3KV Battery Type: LiFePO 4 (Lithium Iron Phosphate, LFP) Battery Voltage: 6.4V Battery Charge Time (Max): 24 Hours

Replacement Parts (Order Separately, Field Installed)	
WPC12GLC	Tempered Clear Flat Glass Lens.
P18110	110-130V, 120VAC Pencil Photocell
P18112	208-277V, 240VAC Pencil Photocell
P18114	120-277V, 50/60Hz Pencil Photocell
P18120	110-130V, 120VAC Swivel Photocell
P18122	208-277V, 240VAC Swivel Photocell

**Photometric Data**



**Photometric Performance**

LED Board Watts	Drive Current (mA)	Input Watts	Optics	5000 CCT 80 CRI					4000 CCT 80 CRI				
				Lumens	LPW	B	U	G	Lumens	LPW	B	U	G
EasyLED 22w	525	25	Type III	2,005	80	1	2	1	1,925	77	1	2	1
			Type V	2,251	90	1	2	0	2,161	86	1	2	0

**Projected Lumen Maintenance**

Data shown for 5000 CCT			Compare to MH				
TM-21-11	Input Watts	Initial	25,000 Hrs	50,000 Hrs	100,000 Hrs	Calculated L70@ 25°C	
L70 Lumen Maintenance @ 25°C / 77°F	25	1.00	0.96	0.92	0.85	196,000	
TM-21-11	Input Watts	Initial	25,000 Hrs	50,000 Hrs	100,000 Hrs	Calculated L70@ 50°C	
L70 Lumen Maintenance @ 50°C / 122°F	25	1.00	0.93	0.86	0.73	110,000	
TM-21-11	Input Watts	Initial	25,000 Hrs	50,000 Hrs	100,000 Hrs	Calculated L80@ 40°C	
L80 Lumen Maintenance @ 40°C / 104°F	25	1.00	0.94	0.88	0.76	84,000	

**NOTES:**

1. Projected per IESNA TM-21-11. Data references the extrapolated performance projections for the 525mA base model in a 25°C ambient, based on 10,000 hours of LED testing per IESNA LM-80-08.
2. Compare to MH box indicates suggested Light Loss Factor (LLF) to be used when comparing to Metal Halide (MH) systems.