

SPEC
SHEET



URZA

LED Post-Top Light

AccessFixtures.com

EXTREME-LIFE:

- 1 URZA's exceptional design produces an EXTREME-LIFE rating of L70 @ 473,000 hours for years of virtually maintenance-free performance.

Optics Options:

- 2 URZA has two different optical distribution options: Type III, and Type V to get the light distributed evenly and where it is needed.

Premium Build:

- 3 IP66 rated against water jets, CSA listed for wet locations, surge protection, and die-cast aluminum housing for maximum life and durability to withstand extreme weather conditions.

highlights



PH: 800-468-9925
Sales@AccessFixtures.com
AccessFixtures.com



AccessFixtures
High-Performance Lighting Solutions

URZA FEATURES

Light Source	LED
Kelvin	3000K (37w & 65w Type III; 37w & 84w TypeV), 4000k, 5000K
Watts	39w, 68w, 86w
Available Finishes	Bronze, Black, Custom RAL
Housing	Die-Cast Aluminum
Finish	Textured architectural powdercoat finish over chromate conversion coating
Lumens	Up to 8,398 lumens
Dimensions	16.125"D x 14.875"H
Lens	UV-Stabilized polycarbonate clear or opal lens
Mounting	Accommodates "P3" 27/8" O.D. x 3" Tenons
Listings	CSA, IP66
Voltage	120-277v, 347-480v
Warranty	5-year limited warranty

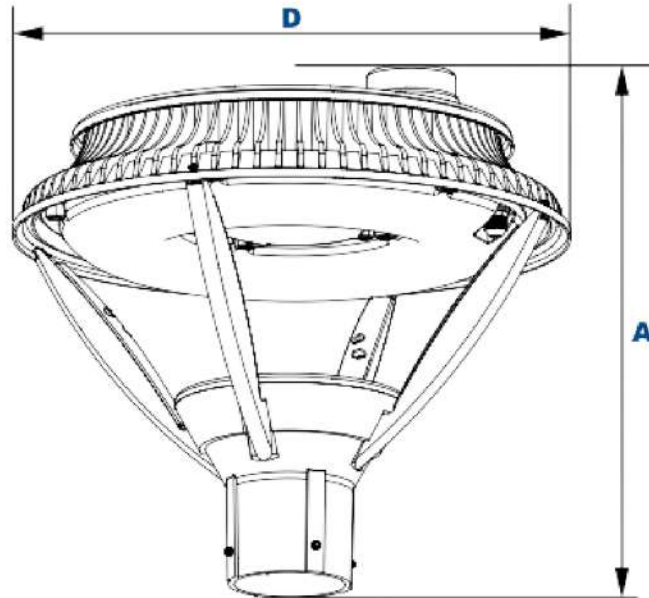


URZA DIMENSIONS

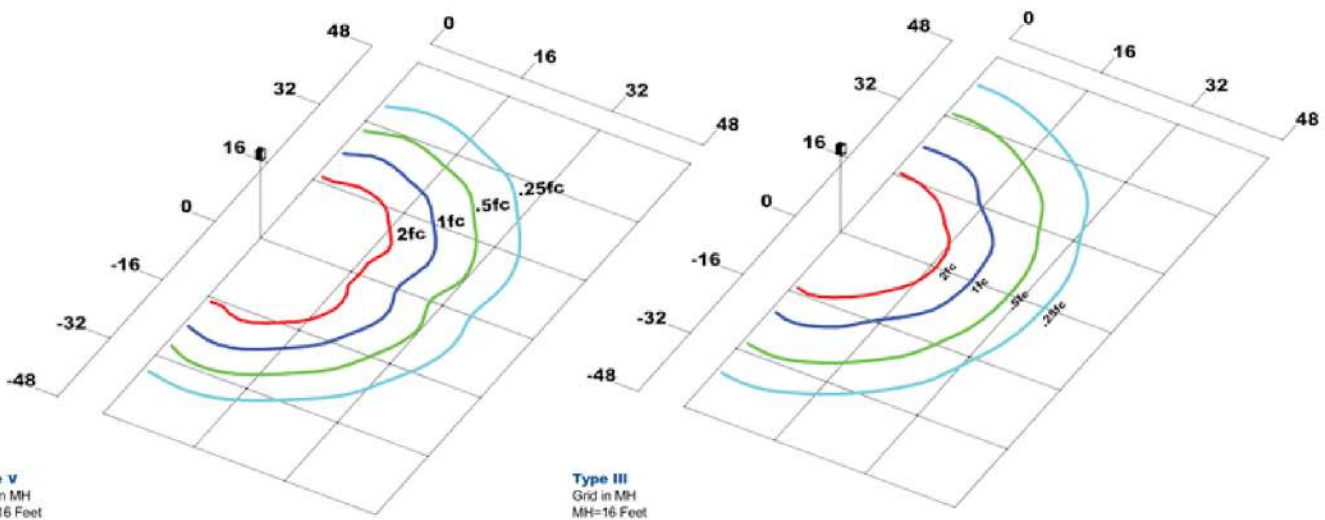
Dimensions

Diameter (D) | 16 7/8" (411mm)

Height (A) | 14 7/8" (378mm)



URZA PHOTOMETRICS



Ordering Information

Example: AF33XPF70Q-F-1X84-U-3K-C-Z-S4

Model	Optics/Beam	Wattage	Driver	CCT	Lens	Color	Options
AF33XPF70Q= Open Small Round Post Top Light	C =Type III F =Type V	1x37 = 39w 1x65 = 68w 1x84 = 86w	U = 120-277v C = 347-480v	3K =3000K* 4K =4000K 5K =5000K *37w & 65w Type III; 37w & 84w TypeV	C =Clear UV- Stabilized Polycarbonate Vandal- Resistant Lens L = Opal UV- Stabilized Polycarbonate Vandal- Resistant Lens* *Type V Optic Only	B =Black Z =Bronze C =Custom	SP =Surge Protection R3 =3-Pin Twist Lock Photocell Receptacle R5 =5-Pin Twist Lock Photocell Receptacle R7 =7-Pin ANSI C136.41 —2013 Twist Lock Photocell Receptacle S2 =Microwave Sensor with Dimming for Mounting Heights of 8' to 40'* S4 =Microwave On/Off Motion Sensor for Mounting Heights of 8' to 19'* *120-277V Models Only.

***120-277v models only**

