

SPEC
SHEET



URZO

LED Post-Top Light

AccessFixtures.com

EXTREME-LIFE:

- 1 URZA's exceptional design produces an EXTREME-LIFE rating of L70 @ 473,000 hours for years of virtually maintenance-free performance.

Lens Options:

- 2 URZO has three different lens options: Clear or Opal UV-stabilized polycarbonate Array Lens to Seal LED Array, with a vandal-resistant outer conical lens.

Premium Build:

- 3 IP66 rated against water jets, CSA listed for wet locations, surge protection, and die-cast aluminum housing for maximum life and durability to withstand extreme weather conditions.

highlights



PH: 800-468-9925
Sales@AccessFixtures.com
AccessFixtures.com



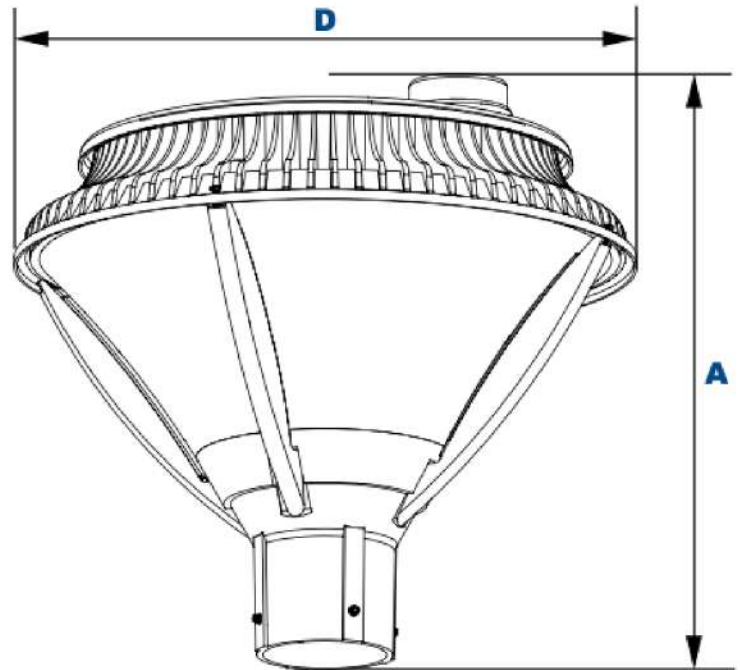
AccessFixtures
High-Performance Lighting Solutions

URZO FEATURES

Light Source	LED
Kelvin	3000K, 4000k, 5000K
Watts	39w, 68w, 86w
Available Finishes	Bronze, Black, Custom RAL
Housing	Die-Cast Aluminum
Finish	Textured architectural powdercoat finish over chromate conversion coating
Lumens	Up to 6,951 lumens
Dimensions	16.125"D x 14.875"H
Lens	UV-Stabilized polycarbonate clear or opal lens
Mounting	Accommodates "P3" ²⁷ / ₈ " O.D. x 3" Tenons
Listings	CSA, IP66
Voltage	120-277v, 347-480v
Warranty	5-year limited warranty



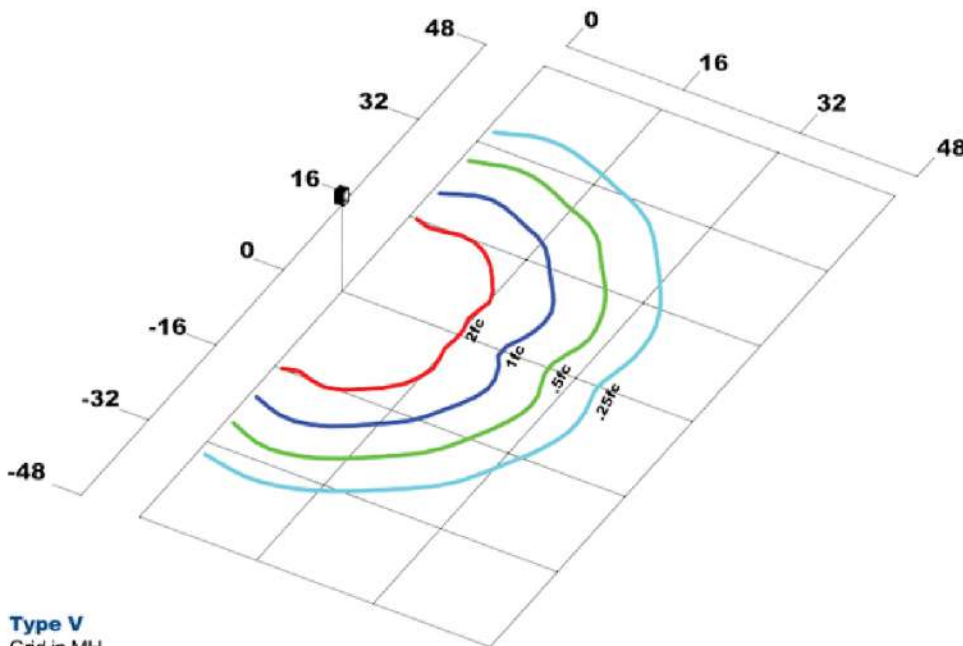
URZO DIMENSIONS



Dimensions

Diameter (D)	16 $\frac{1}{8}$ " (411mm)
Height (A)	14 $\frac{7}{8}$ " (378mm)

URZO PHOTOMETRICS



Type V
Grid in MH
MH=16 Feet



Ordering Information

Example: AF33XPF71Q-F-1X84-U-3K-C-Z-S4

Model	Optics/Beam	Wattage	Driver	CCT	Lens	Color	Options
<p>AF33XPF71Q= Reveal Enclosed Small Round Post Top Light</p>	<p>F=Type V</p>	<p>1x37 = 39w 1x65 = 68w 1x84 = 86w</p>	<p>U = 120-277v C= 347-480v</p>	<p>3K=3000K* 4K=4000K 5K=5000K *37w & 84w</p>	<p>C=Clear UV- Stabilized Polycarbonate Vandal- Resistant Lens L= Opal UV- Stabilized Polycarbonate Vandal- Resistant Lens* *Type V Optic Only</p>	<p>B=Black Z=Bronze C=Custom</p>	<p>SP=Surge Protection R3=3-Pin Twist Lock Photocell Receptacle R5=5-Pin Twist Lock Photocell Receptacle R7=7-Pin ANSI C136.41 —2013 Twist Lock Photocell Receptacle S2=Microwave Sensor with Dimming for Mounting Heights of 8' to 40'* S4=Microwave On/Off Motion Sensor for Mounting Heights of 8' to 19'* *120-277V Models Only.</p>

***120-277v models only**

**** BUG Rating: 2, 2, 1**

