

SPEC  
SHEET



# URZO

LED Post-Top Light

AccessFixtures.com

#### EXTREME-LIFE:

- 1 URZA's exceptional design produces an EXTREME-LIFE rating of L70 @ 473,000 hours for years of virtually maintenance-free performance.

#### Lens Options:

- 2 URZO has three different lens options: Clear or Opal UV-stabilized polycarbonate Array Lens to Seal LED Array, with a vandal-resistant outer conical lens.

#### Premium Build:

- 3 IP66 rated against water jets, CSA listed for wet locations, surge protection, and die-cast aluminum housing for maximum life and durability to withstand extreme weather conditions.

highlights



PH: 800-468-9925  
Sales@AccessFixtures.com  
AccessFixtures.com



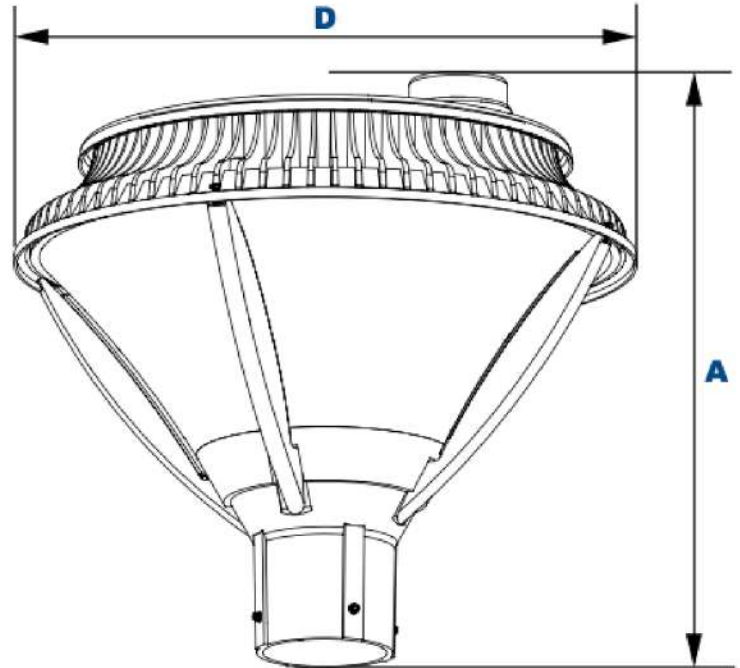
AccessFixtures  
High-Performance Lighting Solutions

## URZO FEATURES

<b>Light Source</b>	LED
<b>Kelvin</b>	3000K, 4000k, 5000K
<b>Watts</b>	39w, 68w, 86w
<b>Available Finishes</b>	Bronze, Black, Custom RAL
<b>Housing</b>	Die-Cast Aluminum
<b>Finish</b>	Textured architectural powdercoat finish over chromate conversion coating
<b>Lumens</b>	Up to 6,951 lumens
<b>Dimensions</b>	16.125"D x 14.875"H
<b>Lens</b>	UV-Stabilized polycarbonate clear or opal lens
<b>Mounting</b>	Accommodates "P3" <sup>27</sup> / <sub>8</sub> " O.D. x 3" Tenons
<b>Listings</b>	CSA, IP66
<b>Voltage</b>	120-277v, 347-480v
<b>Warranty</b>	5-year limited warranty



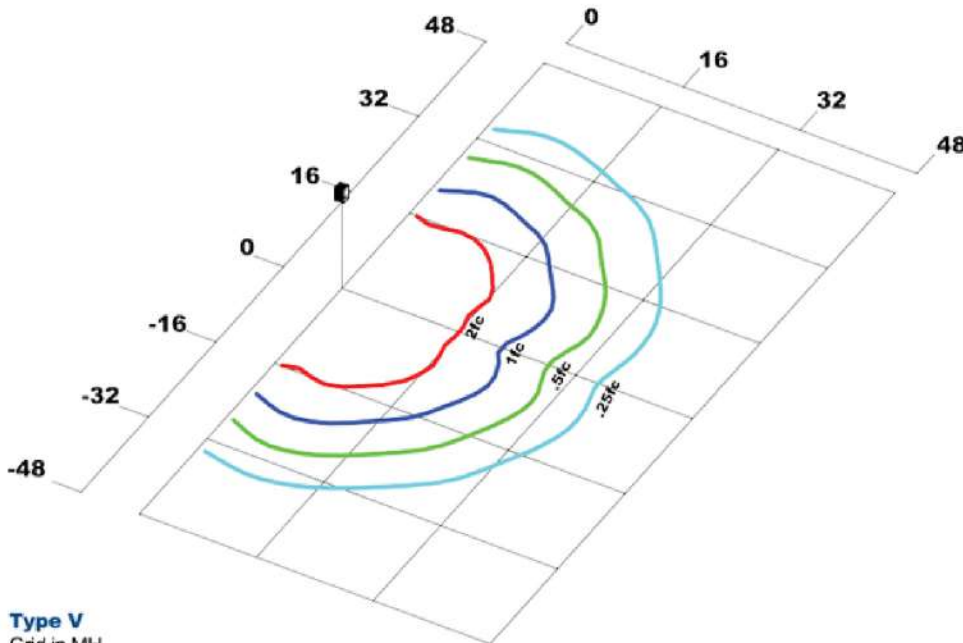
## URZO DIMENSIONS



### Dimensions

<b>Diameter (D)</b>	16 $\frac{1}{8}$ " (411mm)
<b>Height (A)</b>	14 $\frac{7}{8}$ " (378mm)

## URZO PHOTOMETRICS



**Type V**  
Grid in MH  
MH=16 Feet





# Ordering Information

Example: AF33XPF71Q-F-1X84-U-3K-C-Z-S4

Model	Optics/Beam	Wattage	Driver	CCT	Lens	Color	Options
<p><b>AF33XPF71Q=</b> Reveal Enclosed Small Round Post Top Light</p>	<p><b>F=Type V</b></p>	<p><b>1x37</b> = 39w <b>1x65</b> = 68w <b>1x84</b> = 86w</p>	<p><b>U</b> = 120-277v <b>C</b>= 347-480v</p>	<p><b>3K</b>=3000K* <b>4K</b>=4000K <b>5K</b>=5000K <b>*37w &amp; 84w</b></p>	<p><b>C</b>=Clear UV- Stabilized Polycarbonate Vandal- Resistant Lens <b>L</b>= Opal UV- Stabilized Polycarbonate Vandal- Resistant Lens* <b>*Type V Optic Only</b></p>	<p><b>B</b>=Black <b>Z</b>=Bronze <b>C</b>=Custom</p>	<p><b>SP</b>=Surge Protection <b>R3</b>=3-Pin Twist Lock Photocell Receptacle <b>R5</b>=5-Pin Twist Lock Photocell Receptacle <b>R7</b>=7-Pin ANSI C136.41 —2013 Twist Lock Photocell Receptacle <b>S2</b>=Microwave Sensor with Dimming for Mounting Heights of 8' to 40'* <b>S4</b>=Microwave On/Off Motion Sensor for Mounting Heights of 8' to 19'*  <b>*120-277V Models Only.</b></p>

**\*120-277v models only**

