

SPEC SHEET



HEZE

LED Wall Pack

AccessFixtures.com

1

Full Cutoff:

The full cutoff design of this wall pack helps to meet local lighting ordinances by minimizing light trespass – also making it neighbor and dark-sky friend

2

EXTREME-LIFE:

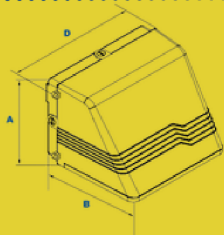
L70 rated life of 213,000 hours. This means that after 213,000 hours this fixture will still deliver 70% or more of its initial lumens – making it virtually maintenance-free.

3

Durable Construction:

This HEZE wall pack fixture is made of die-cast aluminum and IP65 rated against water and dust.

highlights



PH: 800-468-9925
Sales@AccessFixtures.com
AccessFixtures.com



AccessFixtures
High-Performance Lighting Solutions



AccessFixtures

High-Performance Lighting Solutions

Light Source	LED
Kelvin	4000K, 5000K
Watts	27w, 41w
Available Finishes	Textured Architectural Bronze Powdercoat Finish Over a Chromate Conversion Coating. Custom Colors Available Upon Request
Housing	Die Cast Hinged and Gasketed Aluminum Front Frame and Housing with ½" Coin Plugs. Nickel-Plated Stainless Steel Hardware
BUG Rating	Type III: 1, 2, 1 / Type V: 1, 2, 0
Mounting	Cast-in Template for Mounting Directly Over a 4" Recessed Outlet Box, or Use ½" Surface Conduit
Lumens	Up to 3,982
LPW	93
Lens	Tempered clear flat glass lens or tempered clear flat prismatic glass lens
Driver	Electronic Driver, 120-277V, 50/60Hz
Dimensions	11.375" L x 14.25" W x 9.125" H
Listings	CSA, IP65, ANSI/UL
Voltage	120-277v
Photocell	Photocell Adaptable
Warranty	5-year limited warranty





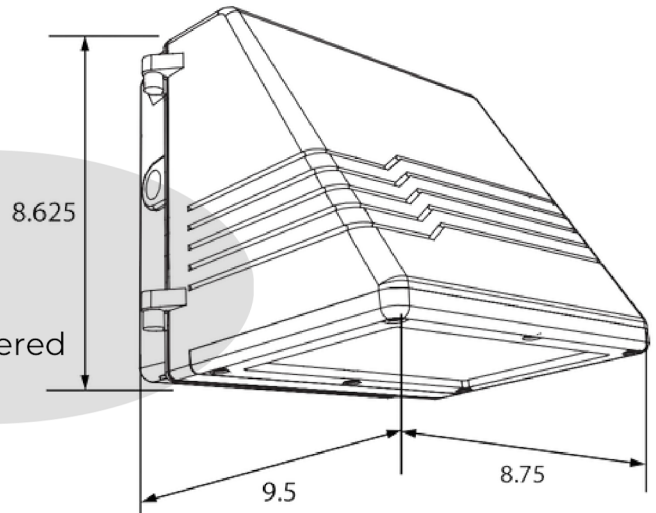
AccessFixtures

High-Performance Lighting Solutions

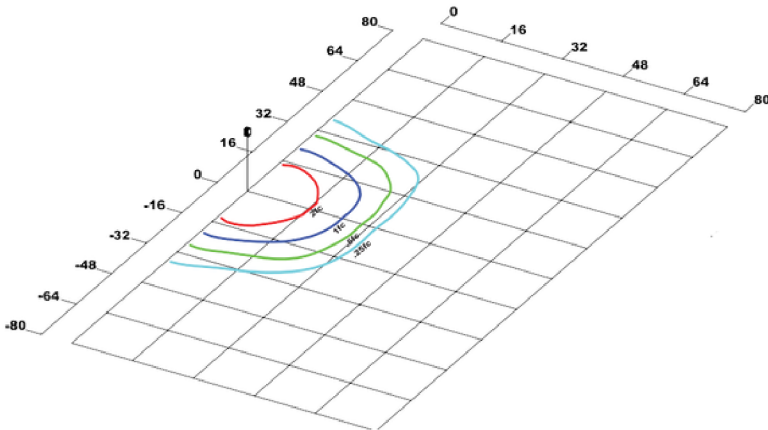
HEZE OPTIONS

OPTIONS

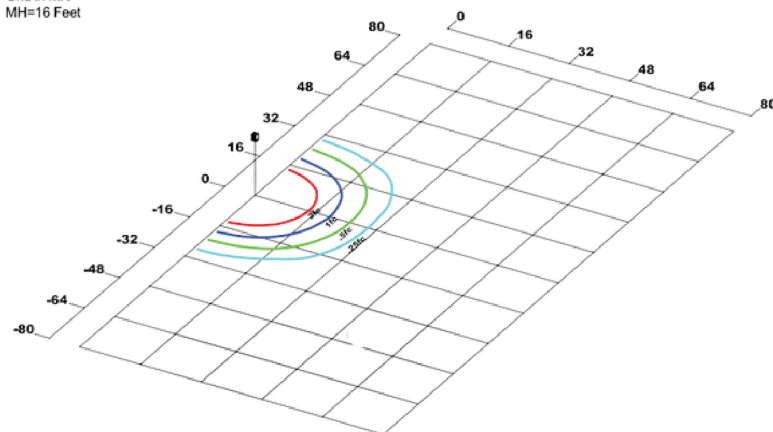
- 4000K, 5000K
- Optics: Type III or Type V
- 20KA Surge Protection
- 90min Emergency battery backup
- Tempered Clear Flat Glass Lens or Tempered Clear Flat Prismatic Glass Lens.



PHOTOMETRICS



Type III
Grid in MH
MH=16 Feet



Type V
Grid in MH
MH=16 Feet

PH: 800-468-9925
Sales@AccessFixtures.com
AccessFixtures.com



AccessFixtures
High-Performance Lighting Solutions