

SPEC SHEET



# ZIBO

## LED Wall Pack

AccessFixtures.com

**1** **EXTREME-LIFE:**  
ZIBO is L70 rated at 165,000 hours for years of virtually maintenance-free performance.

**2** **Durable & Waterproof**  
Featuring a die-cast aluminum housing, ZIBO is CSA-listed and IP65 rated for wet locations. It is fully protected against water jets, making this wall pack an ideal solution for any application where dust or water may be a concern.

**3** **Options:**  
Choice of color, Kelvin, voltage, lens, and other options allows for freedom and flexibility of design.

highlights



#### Dimensions

Width (D)	14 1/2" (362mm)
Length (B)	7 1/4" (159mm)
Height (A)	9" (225mm)



PH: 800-468-9925  
Sales@AccessFixtures.com  
AccessFixtures.com



**AccessFixtures**  
High-Performance Lighting Solutions



## ZIBO FEATURES

<b>Light Source</b>	<b>Aluminum Boards</b>
<b>Kelvin</b>	<b>3000K, 4000K, 5000K</b>
<b>Available Finishes</b>	<b>Bronze, Custom RAL</b>
<b>Housing</b>	<b>Die-cast aluminum</b>
<b>Lumens</b>	<b>3,962</b>
<b>Optic</b>	<b>Type IV</b>
<b>Lens</b>	<b>Prismatic clear glass lens/ Prismatic borosilicate glass lens</b>
<b>Listings</b>	<b>IP65, CSA Listed</b>
<b>BUG Rating</b>	<b>1, 3, 3</b>
<b>Rated Life</b>	<b>L70 @ 165,000 hours</b>
<b>Product Family</b>	<b>ZIBO</b>
<b>Voltage</b>	<b>120-277v, 347-480v</b>
<b>Mounting</b>	<b>Cast-in template for mounting directly over 4" recessed outlet box or use 1/2" surface conduit</b>
<b>Photocell</b>	<b>Photocell Adaptable</b>
<b>Warranty</b>	<b>5-year limited warranty</b>





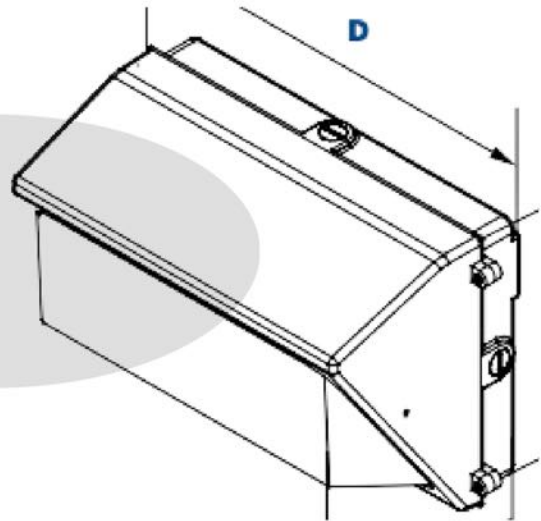
# AccessFixtures

High-Performance Lighting Solutions

## ZIBO FEATURES

### OPTIONS

- 3000K, 4000K, 5000K
- Bronze, Custom RAL
- Photocell
- Lens options
- 347-480v
- Surge protector



PH: 800-468-9925  
Sales@AccessFixtures.com  
AccessFixtures.com



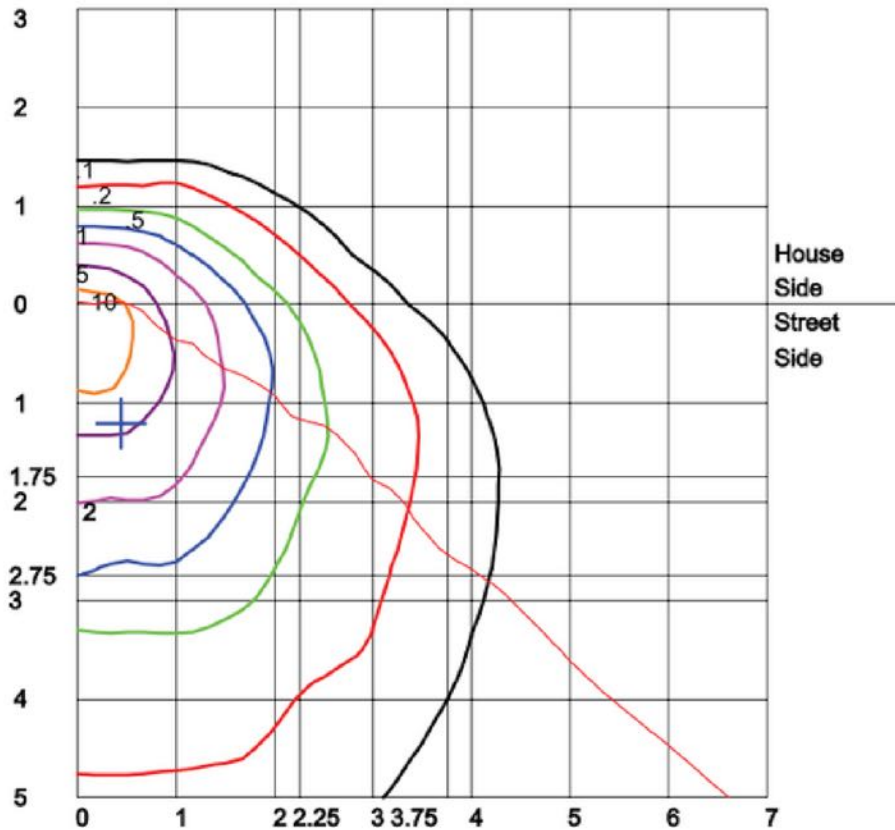
**AccessFixtures**  
High-Performance Lighting Solutions



# AccessFixtures

High-Performance Lighting Solutions

## ZIBO PHOTOMETRICS



Distance In Units Of Mounting Height  
Values Based On 10 Foot Mounting Height  
1/2 Maximum Candela Trace Shown As Dashed Curve  
(+) = Maximum Candela Point

