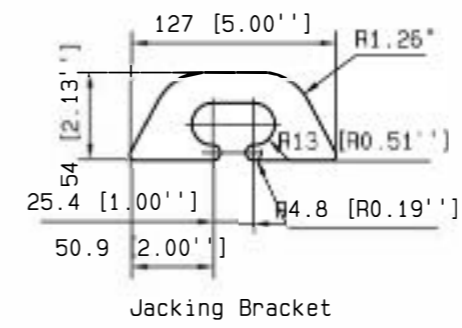
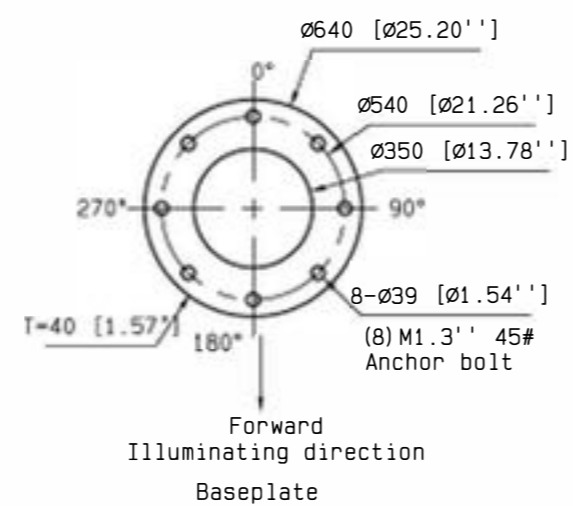
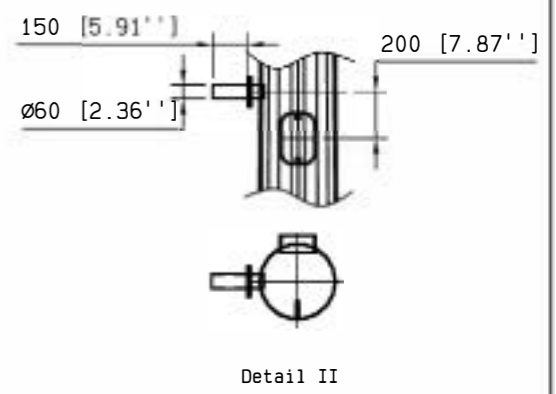
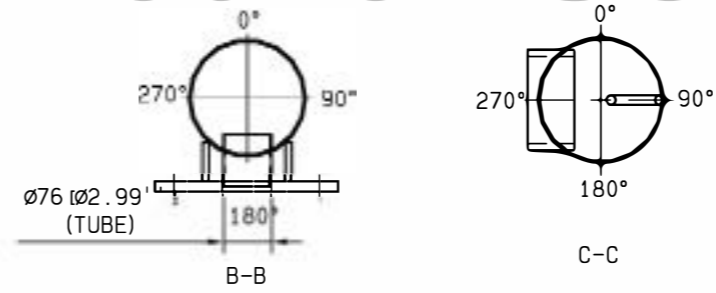
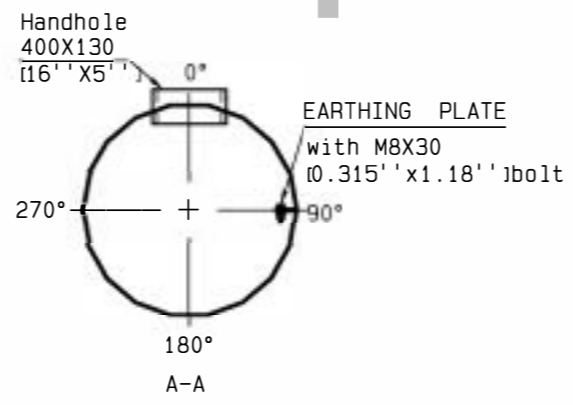


Sample - Not for Use



Pole Quantity: 6

		High-Performance Lighting Solutions	
TITLE		60ft (12) 500.115mph Vult	
DRAWN	LB	2022/03/01	MATERIAL
ENGR	JW	2022/03/01	THK (mm)
CHECKED	JW	2022/03/01	WT (kg)
REV ID	DATE	REVISION DESCRIPTION	SPECIFICATIONS
			SCALE
			VERSION B
			MANUFACTURING ORDER