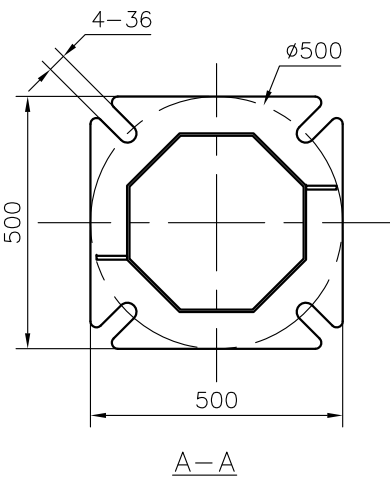
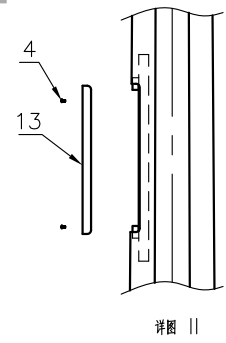
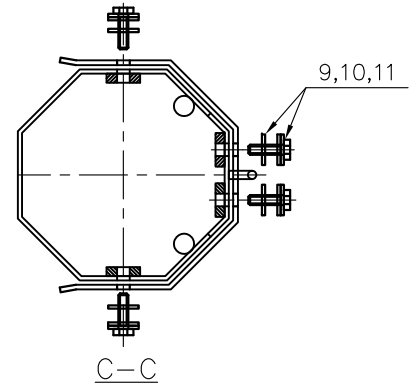
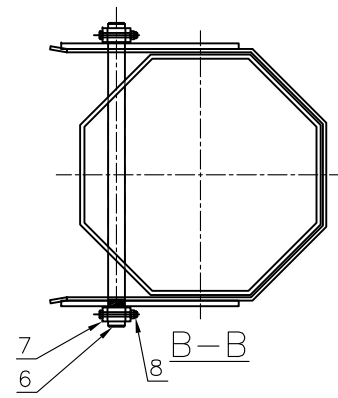
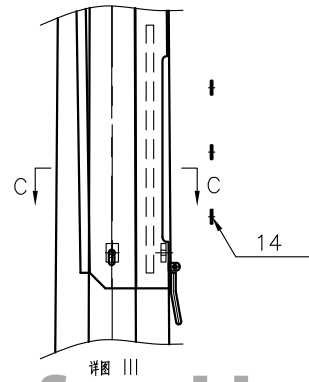
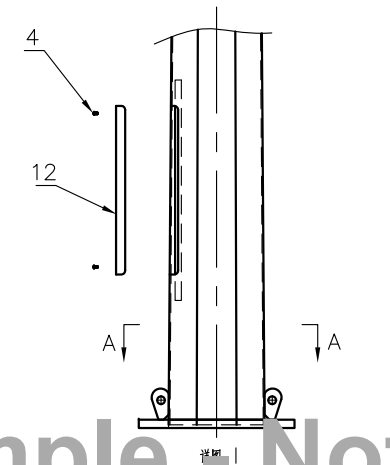


Sample - Not for Use



注：表面处理热浸镀锌 (AF-01)

NO	PART NO.	DESCRIPTION	WEIGHT	QTY
14	L186362Z03	标称 $\phi 45/\phi 14$	0.1	6
13	L197271Z13	门板3(从杆体截取)	0.1	1
12	L197271Z12	门板1(从杆体截取)	0.1	1
11	PDQ1604	GB96.2 大整圆16 S304	/	4
10	PDQ1602	GB93 整圆16	/	4
9	PLS1616	GB/T16674 六角法兰面螺栓M16X40	/	4
8	ALS0802	螺栓M8x70 1N2W STNL	/	2
7	L150231Z08	旋转轴衬环	0.3	2
6	L186365Z06	旋转轴 $\phi 30 \times 350L$	2.2	1
5	L1660597Z10	双头螺栓组件	0.6	2
4	PLS0807	GB/T70.2 STNL 内六角平圆头螺栓M8x25	/	4
3	L1660598Z03	杆眼3	132	1
2	L197271Z02	杆眼	371	1
1	L197271Z01	杆眼	384	1



CLIENT				
TITLE		(AH-20SS-89)		
DRAWN	RYY	2019/12/09	MATERIAL	MANUFACTURING ORDER
ENGR	LLZ	2019/12/09	THK(mm)	
CHECKED	LI	2019/12/09	WT(kg)	892
SPECIFICATIONS		SCALE		P/N: L197271Z

REV ID	DATE	REVISION DESCRIPTION
A		