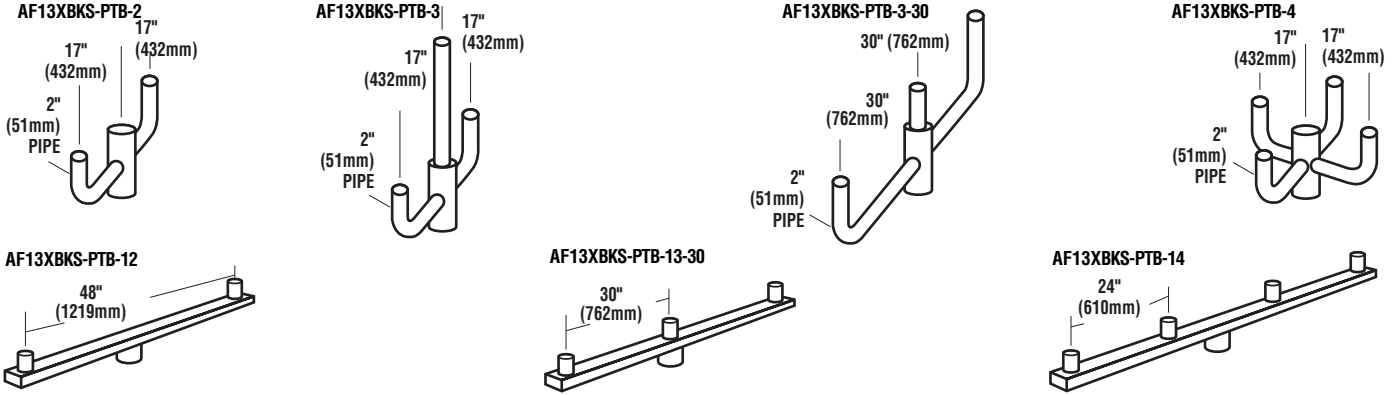


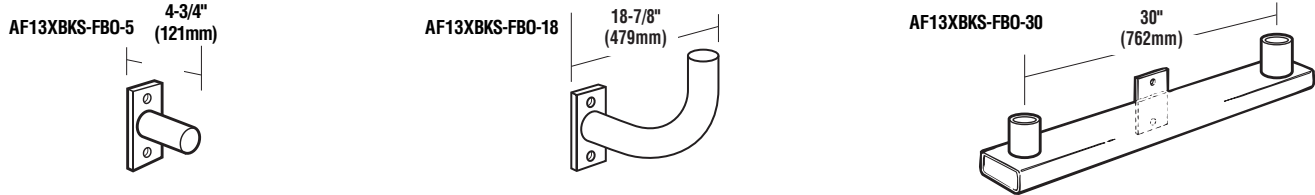


# STEEL LIGHTING BRACKETS

## TENON BRACKETS



## STEEL POLE BOLT-ON BRACKETS<sup>1</sup>



## BRACKET ORDERING INFORMATION

Bracket Designation	Bracket Type	Bracket Configuration	Bracket Finish	Options	EPA Values <sup>3</sup>
TENON MOUNT BKS – Bracket Steel	PTB <sup>2</sup>	2	BRZ – Bronze	None	1.6
		3	BLK – Black		2.1
		3-30	PLP – Platinum Plus		2.4
		4	WHT – White		2.3
		12	GPT - Graphite		1.8
		13-30	SVG - Satin Verde Green		2.1
BOLT-ON BKS – Bracket Steel	FBO <sup>1</sup>	5	MSV - Metallic Silver		.1
		18		.6	
		30		1.0	

TYPICAL ORDER EXAMPLE: **AF13XBKS FBO 5 BLK**

NOTE: Standard slip-fitter fits 2-3/8" O.D. tenon (2.0 pipe tenon)

### FOOTNOTES:

- 1- FBO brackets require pole preparation and must be ordered with "SF" or "DF" pole option. For use with Steel Poles only. Consult factory for bolt-on flood brackets for aluminum poles.
- 2- PTB brackets slipfit 2-3/8" O.D. tenon. Order N tenon mount on poles.
- 3- The bracket EPA should be added to the fixture EPA when selecting the proper pole.

## SHIPPING WEIGHTS - Flood Brackets

Catalog Number	Est. Weight (kg/lbs.)	Catalog Number	Est. Weight (kg/lbs.)	Catalog Number	Est. Weight (kg/lbs.)
AF13XBKS-PTB-2	11/24	AF13XBKS-PTB-12	9/28	AF13XBKS-FBO-5	2/5
AF13XBKS-PTB-3	15/32	AF13XBKS-PTB-13-30	15/38	AF13XBKS-FBO-18	6/14
AF13XBKS-PTB-3-30	13/29	AF13XBKS-PTB-14	17/37	AF13XBKS-FBO-30	13/29
AF13XBKS-PTB-4	18/40				

