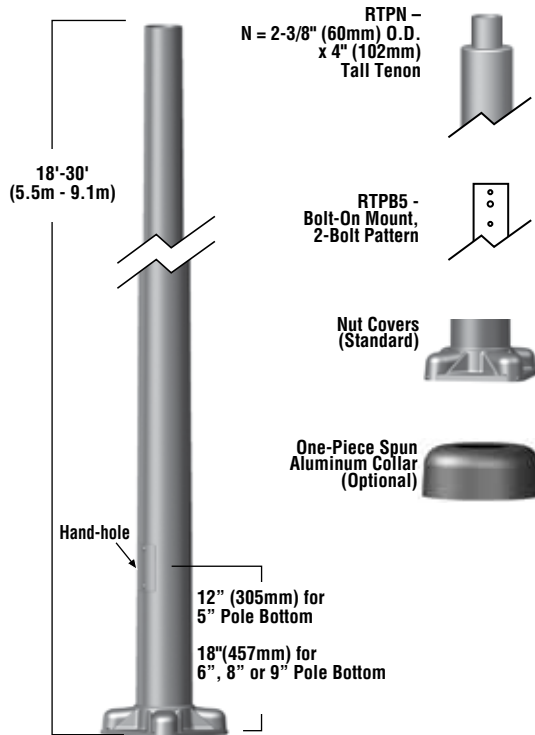


ALUMINUM ROUND TAPERED LIGHT POLES

DIMENSIONS



POLE SHAFT - The pole shaft is spun from seamless alloy aluminum. On Tenon Mount poles, tenon is 2-3/8" O.D. x 4" tall high-strength pipe.

HAND HOLE - On listed poles 20' and under, standard non-reinforced hand-hole is 2" x 4". For poles with greater EPA rating, reinforced hand hole is available as an option; consult factory. Listed poles 25' and above have a 4" x 6" reinforced hand-hole as standard. Hand-hole gasket and cover are provided. Hand-hole is located 12" above pole base on poles with 5" O.D. bottom and 18" above pole base on poles with 6", 8" or 9" O.D. bottom (see Pole Selection Chart below). Optional festoon for GFI receptacle (with or without GFI Kit supplied) is available. Minimum height for location of festoon is 18" above standard hand hole.

BASE - Pole base is cast from 356 alloy aluminum. Completed assembly is heat-treated to a T6 temper. Aluminum nut covers are included with anchor base.

BASE COVERS - Aluminum nut covers are included with anchor base. Optional one-piece round spun aluminum collars are available for poles with 5", 6" or 8" O.D. bottom (see Pole Selection Chart below). Must be ordered separately.

ANCHOR BOLTS - Set of four anchor bolts conform to ASTM F1554 Grade 55. Each bolt is provided with two hex nuts and two flat washers. Bolts have an "L" bend on one end and are galvanized a minimum of 12" on the threaded end.

GROUND LUG - Ground lug is standard.

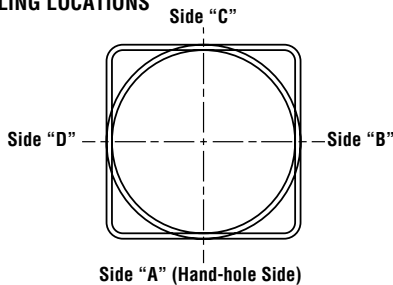
GROUND FAULT CIRCUIT INTERRUPTER - Ground fault circuit interrupter kit is optional. Pole Preparation (festoon) with GFI Kit must be ordered. Specify location in feet above base of pole and side orientation. Minimum height for location of festoon is 18" above standard hand hole.

FINISHES - Baked-on polyester-powder finish provides one year limited warranty.

DETERMINING THE LUMINAIRE/POLE COMBINATION FOR YOUR APPLICATION:

- Select luminaire from luminaire ordering information
- Select bracket configuration if required
- Determine EPA value from luminaire/bracket EPA chart
- Select pole height
- Select MPH to match wind speed in the application area (See windspeed map).
- Confirm pole EPA equal to or exceeding value from note above
- Confirm total luminaire/bracket weight does not exceed maximum weight shown in chart below
- Consult factory for special wind load requirements and banner brackets

DRILLING LOCATIONS



Sides	A	B	C	D
Hand-hole	X			
Single	X			
D180°		X		X
D90°	X			X
T90°	X	X		X
TN120°	X			
Q90°	X	X	X	X

*Other two locations will be 120° to the left and right side of A.

POLE SELECTION CHART: aluminum round tapered poles

Height	EPA ¹				Pole Top O.D. ²	Pole Bottom O.D. ²	Material	Max Wt (lbs) ³	Bolt Circle	Struct. Wt (lbs) ³
	70 MPH	80 MPH	90 MPH	100 MPH						
18' (5.5m)	6.5	4.4	3.1	2.2	3.0 (76mm)	5.0 (127mm)	0.125	100	F	40
18' (5.5m)	15.4	11.3	8.6	6.8	4.0 (102mm)	6.0 (152mm)	0.156	100	X	59
18' (5.5m)	18.9	14.0	10.7	8.5	4.0 (102mm)	6.0 (152mm)	0.188	100	X	70
20' (6.1m)	5.1	3.3	2.1	1.3	3.0 (76mm)	5.0 (127mm)	0.125	100	F	42
20' (6.1m)	12.7	9.1	6.8	5.3	4.0 (102mm)	6.0 (152mm)	0.156	100	X	63
20' (6.1m)	15.8	11.4	8.6	6.8	4.0 (102mm)	6.0 (152mm)	0.188	100	X	74
25' (7.6m)	19.4	14.2	10.8	8.5	4.5 (114mm)	8.0 (203mm)	0.156	150	Y	96
25' (7.6m)	24.2	17.8	13.7	10.8	4.5 (114mm)	8.0 (203mm)	0.188	150	Y	113
30' (9.1m)	18.8	13.6	10.3	8.0	4.5 (114mm)	9.0 (229mm)	0.156	150	Z	127
30' (9.1m)	23.7	17.4	13.3	10.4	4.5 (114mm)	9.0 (229mm)	0.188	150	Z	149
30' (9.1m)	24.2	17.7	13.6	10.7	4.5 (114mm)	8.0 (203mm)	0.250	150	Y	174

¹ EPA based on AASHTO LTS-3-94. For applications in Canada and areas using code requirements other than AASHTO LTS-3-94, consult factory. Designs are limited to top-mounted and side-mount luminaires. Variations from sizes above are available, consult factory. Satisfactory performance of poles is dependent upon the pole being properly attached to a supporting foundation of adequate design. Refer to EPA information on next page. Maximum luminaire/bracket weight is shown on the above chart.

1- Variations from sizes above are available.

2- Maximum weight of fixtures/brackets to be mounted to pole.

3- Structure weight is nominal value which includes the pole shaft and base plate.

ARRA
Funding Compliant

AccessFixtures
High-Performance Lighting Solutions

AccessFixtures.com 800.468.9925 Sales@AccessFixtures.com

ALUMINUM ROUND TAPERED LIGHT POLES

POLE ORDERING INFORMATION

TYPICAL ORDER EXAMPLE: **AF13XRTP B5 A156 25 S BRZ**

Pole Series	Material	Height ²	Mounting Configuration	Pole Finish	Options
Bolt-On Mount¹ - See selection guide for patterns and fixture matches. AF13XRTP B5 - 5" Traditional Drilling Pattern AF13XRTP B3 - 3" Reduced Drilling Pattern AF13XRTP B2 - 2" Reduced Drilling Pattern	A125 - .125 Aluminum A156 - .156 Aluminum A188 - .188 Aluminum A250 - .250 Aluminum	18' - 17'-8" 20' - 19'-8" 25' - 24'-8" 30' - 29'-8"	S - Single/Parallel D180° - Double D90° - Double T90° - Triple TN120° - Triple Q90° - Quad	BRZ - Bronze BLK - Black WHT - White SVG - Satin Verde Green MSV - Metallic Silver	RHH - Reinforced Hand-hole for poles 20' and under ³ FP - Festoon Outlet Provision Less GFI Kit ⁴ FPG - Festoon Outlet Provision With GFI Kit ⁴ LAB - Less Anchor Bolts
Tenon Mount - See selection guide for tenon and fixture/bracket matches. RTPN	Consult Pole Selection Chart on opposite page		N - Tenon Mount		

FOOTNOTES:

- 1 - Standard pole cap provided.
- 2 - Pole heights will have +/- 2" tolerance.

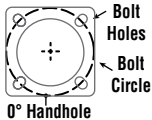
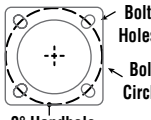
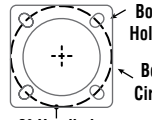
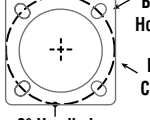
3 - Reinforced hand-holes are 3" x 5" on poles with 5" or 6" O.D. bottom and located 18" above pole base.

4 - Specify location in feet above base of pole and side orientation. Minimum height is 18" above standard hand hole.

ACCESSORY ORDERING INFORMATION (Accessories are field installed)

Description	Order Number
5RSAC - Round 1-Piece Spun Aluminum Collar for RTP w/5" bottom	505647CLR
6RSAC - Round 1-Piece Spun Aluminum Collar for RTP w/6" bottom	505648CLR
8RSAC - Round 1-Piece Spun Aluminum Collar for RTP w/8" bottom	505649CLR

BOLT CIRCLE

	5" (127mm) O.D. Pole Bottom 9-5/8" (244mm) square base plate	6" (152mm) O.D. Pole Bottom 10-5/16" (262mm) square base plate	8" (203mm) O.D. Pole Bottom 12-1/16" (306mm) square base plate	9" (229mm) O.D. Pole Bottom 12-1/2" (317mm) square base plate
	 <p>0° Handhole</p>	 <p>0° Handhole</p>	 <p>0° Handhole</p>	 <p>0° Handhole</p>
	8-5/8" (219mm) Dia. Bolt Circle +/- 7/8" (22mm)	9-1/2" (241mm) Dia. Bolt Circle +/- 3/4" (19mm)	11-5/8" (295mm) Dia. Bolt Circle +/- 3/8" (9mm)	13-1/4" (337mm) Dia. Bolt Circle +/- 3/4" (19mm)
	F	X	Y	Z
Bolt Circle	8-5/8" +/- 7/8" (219mm +/- 22mm)	9-1/2" +/- 3/4" (241mm +/- 19mm)	11-5/8" +/- 3/8" (295mm +/- 9mm)	13-1/4" +/- 3/4" (337mm +/- 19mm)
Anchor Bolt Size	3/4" dia. x 17" x 3" hook (19mm x 432mm x 76 mm)	3/4" dia. x 17" x 3" hook (19mm x 432mm x 76 mm)	1" dia. x 36" x 4" hook (25mm x 914mm x 102mm)	1" dia. x 36" x 4" hook (25mm x 914mm x 102mm)
Anchor Bolt Projection	3-1/4" (83mm)	3-1/2" (89mm)	4-1/8" (105mm)	4-1/8" (105mm)
Base Plate Dimensions	9-5/8" sq. x 5/8" thk. (244mm x 16mm)	10-5/16" sq. x 5/8" thk. (262mm x 16mm)	12-1/16" sq. x 3/4" thk. (306mm x 19mm)	12-1/2" sq. x 1-1/4" thk. (317mm x 32mm)

Note: Base plate illustrations may change without notice. Do not use for setting anchor bolts. Consult factory for the base plate templates.

EPA INFORMATION

All poles are guaranteed to meet the EPA requirements listed. Pole manufacturer is not responsible if a pole order has a lower EPA rating than the indicated wind-loading zone where the pole will be located. CAUTION: This guarantee does not apply if the pole/bracket/fixture combination is used to support any other items such as flags, pennants, or signs, which would add stress to the pole. Pole manufacturer cannot accept responsibility for harm or damage caused in these situations.

NOTE: Pole calculations include a 1.3 gust factor over steady wind velocity. Example: poles designed to withstand 80 MPH steady wind will withstand gusts to 104 MPH. EPAs are for locations 100 miles away from hurricane ocean lines. Consult LSI for other areas. Note: Hurricane ocean lines are the Atlantic and Gulf of Mexico coastal areas. For applications in Canada and areas using code requirements other than AASHTO LTS-3-94, consult factory.