

Steel Light Poles

Round Tapered



FEATURES & SPECIFICATIONS

Pole Shaft

- Steel round poles are 4" or 5" in diameter
- Pole shaft is electro-welded ASTM-A500 Grade C Steel Tubing with a minimum yield strength of 55,000 psi.
- On Tenon Mount steel poles, tenon is high-strength pipe. Tenon N option is 2-3/8" O.D. x 4-3/4" tall.

Hand-Hole

- Standard hand-hole location is 12" above pole base.
- Hand-hole size is 4" x 6" and reinforced.

Base

- Pole base is ASTM-A36 hot-rolled steel plate with a minimum yield strength of 36,000 psi.
- Two-piece square base cover is optional. Decorative base cover is also available

Anchor Bolts

- Steel Round Tapered Poles of 11 gauge material are furnished with anchor bolts featuring zinc-plated double nuts and washers. Galvanized anchor bolts are optional
- Poles of 7 gauge material are furnished with galvanized anchor bolts as a standard. Anchor Bolts conform to ASTM F 1554-07a Grade 55 with a minimum yield strength of 55,000 psi.

Ground Lug

- Ground lug is standard.

Duplex Receptacle

- Weatherproof duplex receptacle is optional.

Ground Fault Circuit Interrupter

- Self-testing Ground fault circuit interrupter is optional.

Finishes

- Every pole is provided with the DuraGrip® Protection System and a 5-year limited warranty:
- When the top-of-the line DuraGrip® Plus Protection System is selected, in addition to the DuraGrip® Protection System, a non-porous, automotive-grade corrosion coating is applied to the lower portion of the pole interior, sealing and further protecting it from corrosion. This option extends the limited warranty to 7 years.

Determining The Luminaire/Pole Combination For Your Application:

- Select luminaire from luminaire ordering information.
- Select bracket configuration if required
- Determine EPA value from luminaire/bracket EPA chart
- Select Pole Height
- Select MPH to match wind speed in the application area (See windspeed maps).
- Confirm pole EPA equal to or exceeding value of luminaire/bracket EPA
- Consult factory for special wind load requirements and banner brackets.

Pole Vibration Damper

- A pole vibration damper is recommended in open terrain areas of the country where low steady state winds are common.
- Non-tapered poles and lightly loaded poles are more susceptible to destructive vibration if a damper is not installed.

Listings

- UL Listed
- BAA/TAA Compliant



ORDERING GUIDE

TYPICAL ORDER EXAMPLE: **AF13XRTP B3 S11G 35 S PLP DGP**

Pole Series	Mounting Method	Material	Height ²	Mounting Configuration	Pole Finish	Options
AF13XRTP - Round Tapered Pole (New Build)	Bolt-On Mount¹ - See pole selection guide for patterns and fixture matches. B5 - 5" Traditional Drilling Pattern B3 - 3" Reduced Drilling Pattern B2 - 2" Reduced Drilling Pattern	S11G - 11 Ga. Steel (4SQ/4SQU and 5SQ/5SQU Only) S07G - 07 Ga. Steel	20'	S - Single/Parallel D180 - Double D90 - Double DN90 - Double T90 - Triple TN120 - Triple Q90 - Quad QN90 - Quad	BRZ - Bronze BLK - Black PLP - Platinum Plus WHT - White SVG - Satin Verde Green GPT - Graphite MSV - Metallic Silver BZA - Alternate Bronze	GA - Galvanized Anchor Bolts SF - Single Flood ³ DF - Double Flood ³ DGP - DuraGrip [®] Plus LAB - Less Anchor Bolts CRXX - Conduit Raceway
			22'			
AF13XRTPU - Round Tapered Pole (Retrofit)	T - Tenon Mount - See pole selection guide for patterns and fixture matches I - No Mounting Holes ¹ - Use with: BKA-IFM4 - Flush Mount Adapter ⁴		22' 6"	N - Tenon Mount (Standard Tenon size is 2-3/8" O.D.) ⁶ 4N - Tenon Mount (5RPT only. For 4" poles only, use 4RPI) ⁷ 4N-6 - Tenon Mount (5RPT only. For 4" poles use 4RPI)		
			25'			
			27'			
			30'			
			32'			
			35'			
			39'			

Accessory Ordering Information

Description	Order Number	Description	Order Number
20 SRTBC Square Based Cover (for 20' RTP Poles)	158388CLR	MH2 - Mounting Hole Plugs for use with 2" reduced drill pattern (3 sets of 3 plugs)	725841
25 SRTBC Square Based Cover (for 22', 22' 6", and 25' RTP Poles)	158390CLR	ER2 - Weatherproof RTP Duplex Receptacle	122568CLR
30 SRTBC Square Based Cover (for 27' and 30' RTP Poles)	158392CLR	GFI - Ground Fault RTP Circuit Interrupter	122569CLR
35 SRTBC Square Based Cover (for 32' and 35' RTP Poles)	158554CLR		
39 SRTBC Square Based Cover (for 39' RTP Poles)	155887CLR		
MH5 - mounting Hole Plugs for use with 5" traditional drill pattern (3 set of 3 plugs)	132336		
MH3 - mounting Hole Plugs for use with 3" reduced drill pattern (3 sets of 3 plugs)	681126		
MH2 - Mounting Hole Plugs for use with 2" reduced drill pattern (3 sets of 3 plugs)	725841		

FOOTNOTES:

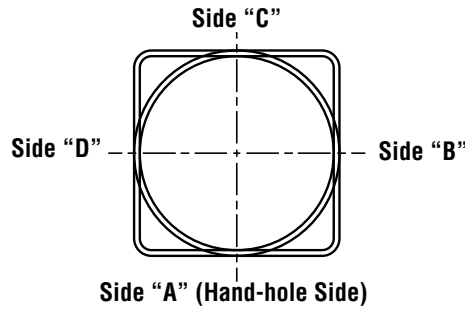
- 1 - See Area Light Brackets - 3" Reduced Drill Pattern and Area Light Brackets - 5" Traditional Drill Pattern Spec Sheets.
- 2 - Pole heights will have a +/- 1/2" tolerance. Max height for 4RP S10G is 24' . Max height of the 5RP S11G is 26'
- 3 - See Flood Lighting Brackets section for choice of FBO Brackets
- 4 - Only use with 4 inch pole.
- 5 - Use with BKA-IFM4



Steel Light Poles - Round Tapered

DRILLING LOCATIONS

Sides	A	B	C	D
Hand-hole	X			
Single	X			
D180		X		X
D90	X			X
DN90 ¹				
T90	X	X		X
TN120 ²	X			
Q90	X	X	X	X
QN90 ³				
Single FBO	X			
Double FBO		X		X

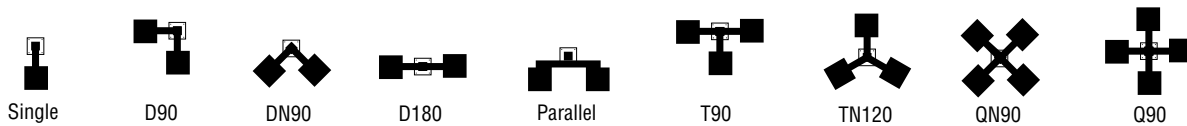


NOTES:

- 1 - Two locations will be 45° to the left and right of Side A.
- 2 - Other two locations will be 120° to the left and right of Side A.
- 3 - Two locations will be 45° to the left and right of Side A and two locations will be 135° to the left and right of Side A.

Consult factory for custom variations. Standard SF and DF pole preparations are located 3/4 of the height of the pole from the base, except on 20' poles. Maximum height for SF and DF pole preparations on 20' poles is 13' from the base.

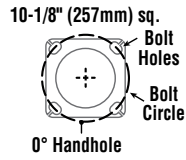
FIXTURE CONFIGURATIONS



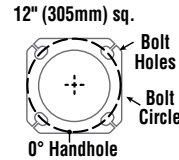


Steel Light Poles - Round Tapered

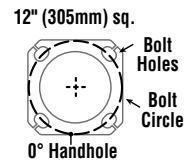
BOLT CIRCLE



11" (279mm) Dia. Bolt Circle



12" (305mm) Dia. Bolt Circle



12" (305mm) Dia. Bolt Circle

Bolt Circle Designator	N	Q	S
Bolt Circle	Slotted 11" (279mm)	Slotted 12" (305mm)	Slotted 12" (305mm)
Anchor Bolt Size	1" x 36" (25mm x 914mm)	1" x 36" (25mm x 914mm)	1-1/4" x 42" (32mm x 1067mm)
Anchor Bolt Projection	4" (102mm)	4" (102mm)	5" (127mm)
Base Plate Dimensions	10-1/8" sq. x 1" thk. (257mm x 25mm)	12" sq. x 1" thk. (305mm x 25mm)	12" sq. x 1-1/4" thk. (305mm x 32mm)
Pole Gauge	11	11	7 (39' only)

Note: Base plate illustrations may change without notice. Do not use for setting anchor bolts. Consult factory for the appropriate anchor bolt template.

**20' RTP
9-7/8" (251mm) sq.**



11" (279mm) Dia. Bolt Circle

**25' RTP
11-1/4" (286mm) sq.**



13" (330mm) Dia. Bolt Circle

**30' RTP
12" (305mm) sq.**



14" (356mm) Dia. Bolt Circle

**35' RTP
12-1/8" (308mm) sq.**



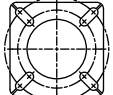
13-1/2" (343mm) Dia. Bolt Circle

**39' RTP
13" (330mm) sq.**



14-1/2" (368mm) Dia. Bolt Circle

**39' RTP
14-3/8" (365mm) sq.**



16" (406mm) Dia. Bolt Circle

Bolt Circle Designator	T	U	V	W	X	Y
Bolt Circle	Slotted 8-1/2" - 11" (216mm-279mm)	Slotted 9" - 13" (229mm-330mm)	Slotted 10" - 14" (254mm-356mm)	Slotted 11" - 13-1/2" (279mm-343mm)	Slotted 11-1/2" - 14-1/2" (292mm-368mm)	Slotted 12" - 16" (305mm-406mm)
Anchor Bolt Size	1" x 36" (25mm-914mm)	1" x 36" (25mm-914mm)	1" x 36" (25mm-914mm)	1" x 36" (25mm x 914mm)	1" x 36" (25mm x 914mm)	1-1/4" x 42" (32mm x 1067mm)
Anchor Bolt Projection	4" (102mm)	4" (102mm)	4" (102mm)	4" (102mm)	4" (102mm)	5" (127mm)
Base Plate Opening for Wireway Entry	5-9/10" (150mm)	6-7/10" (171mm)	7-5/8" (194mm)	8-5/8" (219mm)	9-1/8" (232mm)	9-1/8" (232mm)
Base Plate Dimensions	9-7/8" sq. x 1" thk. (251mm x 25mm)	11-1/4" sq. x 1" thk. (286mm x 25mm)	12" sq. x 1" thk. (305mm x 25mm)	12-1/8" sq. x 1" thk. (308mm x 25mm)	13" sq. x 1" thk. (330mm x 25mm)	14-3/8" sq. x 1-1/4" thk. (365mm x 32mm)
Pole Gauge	11	11	11	11	11	7 (39' Only)

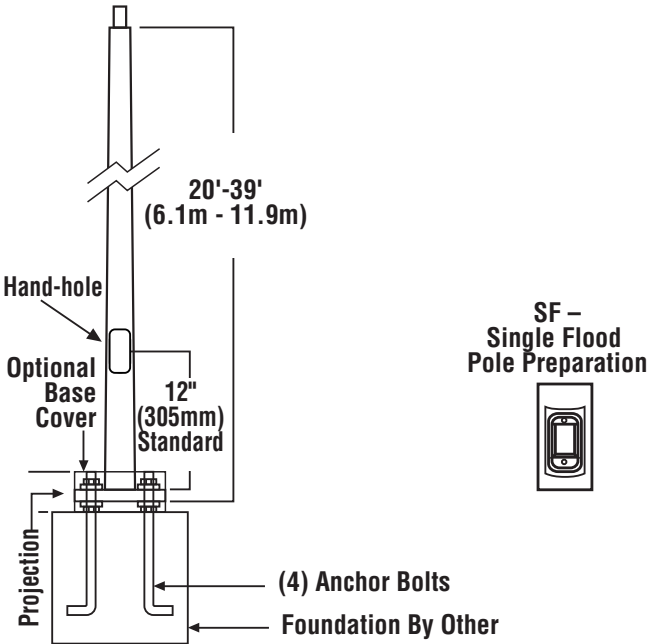
Note: Base plate illustrations may change without notice. Do not use for setting anchor bolts. Consult factory for the appropriate anchor bolt template.

Steel Light Poles - Round Tapered

PRODUCT DIMENSIONS

ONE-PIECE RTPT -

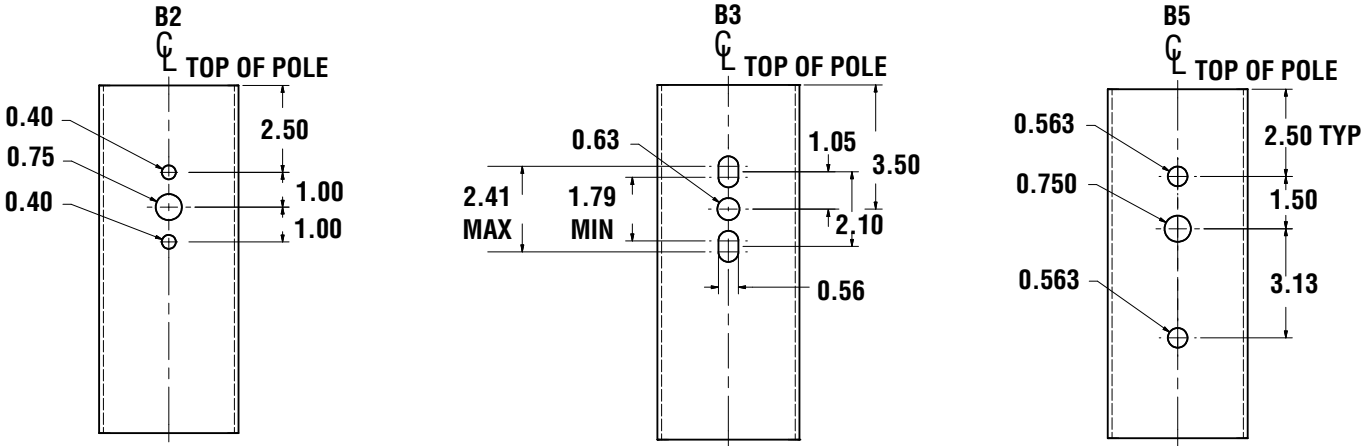
N = 2-3/8" (60mm) O.D. x 4-3/4" (121mm) Tenon



SHIPPING WEIGHTS		
20' (6.1m)	S11 Ga. is approximately	137 lbs. (62kg)
22' (6.7m)	S11 Ga. is approximately	165 lbs. (75kg)
25' (7.6m)	S11 Ga. is approximately	183 lbs. (83kg)
27' (8.2m)	S11 Ga. is approximately	219 lbs. (99kg)
30' (9.1m)	S11 Ga. is approximately	234 lbs. (106kg)
32' (9.7m)	S11 Ga. is approximately	286 lbs. (130kg)
35' (10.7m)	S11 Ga. is approximately	310 lbs. (141kg)
39' (11.9m)	S11 Ga. is approximately	346 lbs. (157kg)
39' (11.9m)	S07 Ga. is approximately	527 lbs. (239kg)
Anchor Bolts (1" x 36") (25mm x 914mm)		30 lbs. (14kg)/set
Anchor Bolts (1-1/4" x 42") (32mm x 1069mm)		63 lbs. (29kg)/set

ONE-PIECE SHAFT		
Height	Pole Bottom	Pole Top
20' (6.1m)	5.80" (147mm)O.D.	3.00" (76mm)O.D.
22' (6.1m)	6.60" (168mm)O.D.	3.52" (89mm)O.D.
25' (7.1m)	6.60" (168mm)O.D.	3.10" (79mm)O.D.
27' (8.2m)	7.50" (191mm)O.D.	3.72" (94mm)O.D.
30' (9.1m)	7.50" (191mm)O.D.	3.30" (84mm)O.D.
32' (9.7m)	8.50" (216mm)O.D.	4.02" (102mm)O.D.
35' (10.7m)	8.50" (216mm)O.D.	3.60" (91mm)O.D.
39' (11.9m)	9.00" (229mm)O.D.	3.54" (90mm)O.D.

Bolt-On Mount 2-Bolt Pattern



Steel Light Poles - Round Tapered

WIND SPEED

EPA Information

All Access Fixtures' poles are guaranteed to meet the EPA requirements listed. Access Fixtures is not responsible if a pole order has a lower EPA rating than the indicated wind-loading zone where the pole will be located.

CAUTION: This guarantee does not apply if the pole/bracket/fixture combination is used to support any other items such as flags, pennants, or signs, which would add stress to the pole. Access Fixtures cannot accept responsibility for harm or damage caused in these situations.

NOTE: Pole calculations include a 1.3 gust factor over steady wind velocity. Example: poles designed to withstand 80 MPH steady wind will withstand gusts to 104 MPH. EPAs are for locations 100 miles away from hurricane ocean lines. Consult Access Fixtures for other areas. Note: Hurricane ocean lines are the Atlantic and Gulf of Mexico coastal areas. For applications in Florida or Canada, consult factory.

Use ONLY with "Wind Speed Map for ASCE 7-10

POLE ¹	Mtg. Height Length (ft)	Wall Thick (ga)	BOLT CIRCLE			EPA								
			Designator	Dia. (in)	Anchor bolt Dia (in)	110 MPH	115 MPH	120 MPH	130 MPH	140 MPH	150 MPH	160 MPH	170 MPH	180 MPH
11-ga x 20'	20	11	N	11	1.00	14.5	13.1	12.0	10.0	8.5	7.3	6.3	5.5	4.8
11-ga x 22'	22	11	N	11	1.00	16.6	15.0	13.8	11.6	9.8	8.4	7.3	6.4	5.6
11-ga x 25'	25	11	N	11	1.00	13.1	12.0	10.9	9.0	7.6	6.5	5.6	4.9	4.2
11-ga x 27'	27	11	N	11	1.00	15.2	13.8	12.5	10.5	8.8	7.6	6.5	5.7	5.0
11-ga x 30'	30	11	N	11	1.00	12.3	11.1	10.1	8.4	7.0	6.0	5.1	4.4	3.8
11-ga x 32'	32	11	Q	12	1.00	12.3	11.1	10.1	8.4	7.0	6.0	5.1	4.4	3.8
11-ga x 35'	35	11	Q	12	1.00	10.1	9.1	8.2	6.7	5.6	4.7	3.9	3.4	2.9
11-ga x 39'	39	11	Q	12	1.00	7.6	6.8	6.1	4.9	4.0	3.3	2.7	2.3	1.9
7-ga x 39'	39	7	S	12	1.25	10.2	9.1	8.2	6.7	5.6	4.7	3.9	3.3	2.8

All Access Fixtures' poles are guaranteed to meet the EPA requirements listed. Access Fixtures is not responsible if a pole order has a lower EPA rating than the indicated wind-loading zone where the pole will be located. **CAUTION:** This guarantee does not apply if the pole/bracket/fixture combination is used to support any other items such as flags, pennants, or signs, which would add stress to the pole. Access Fixtures cannot accept responsibility for harm or damage caused in these situations.

Note:

1- Poles shorter than these listed here in for each gauge have EPA rating equal to or greater than what is provided in this table. To Confirm EPA ratings on shorter poles, contact Access Fixtures.