

GUIDE

RADE

INSTALLATION MANUAL



AccessFixtures.com



PH: 800-468-9925
Sales@AccessFixtures.com
AccessFixtures.com



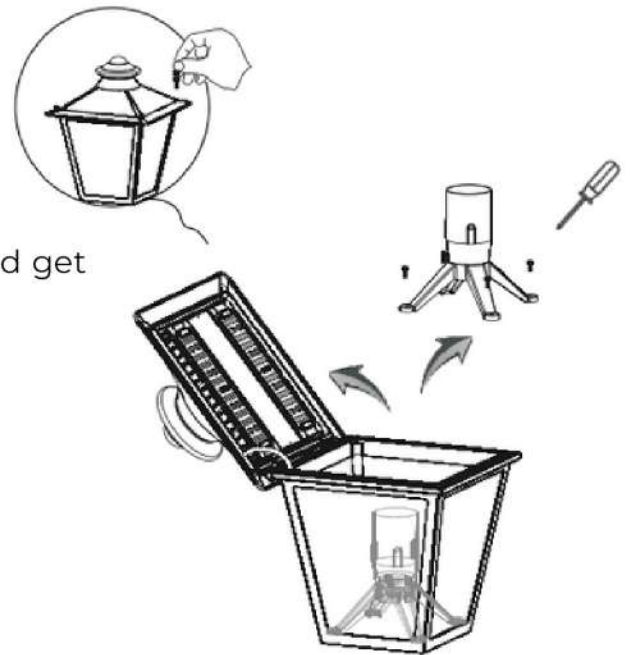
AccessFixtures
High-Performance Lighting Solutions

Installation

Note: If mount base is pre-installed, please skip step 1 and 2, just follow step 3 and 4.

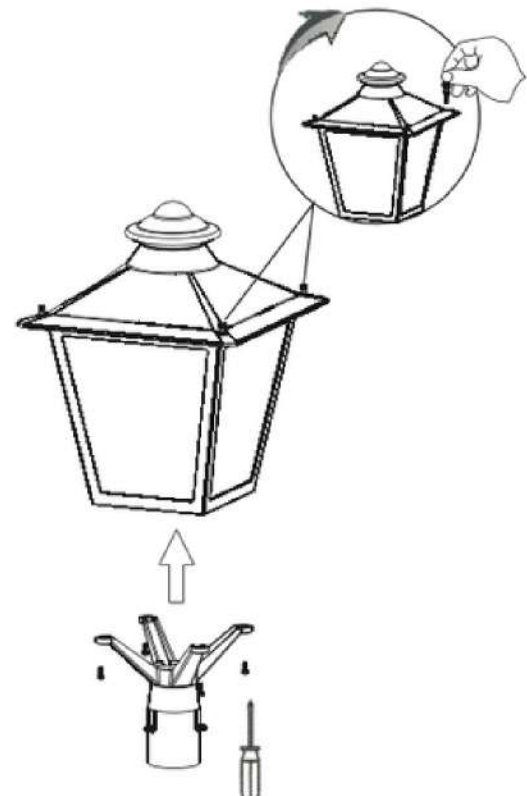
1 Remove Screws

- Remove four screws from top roof, open it and get the mount base out.



2 Attach Mount Base

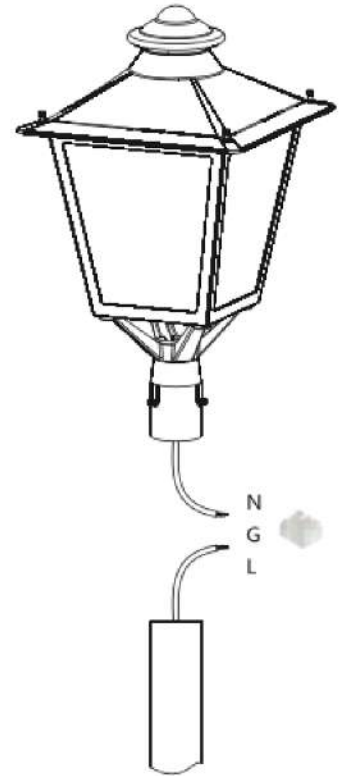
- Get the cord through the middle hole of mount base, then attach the mount base to bottom of the fixture, align the screw holes and fix it. Close the top roof and tighten four screws



Installation

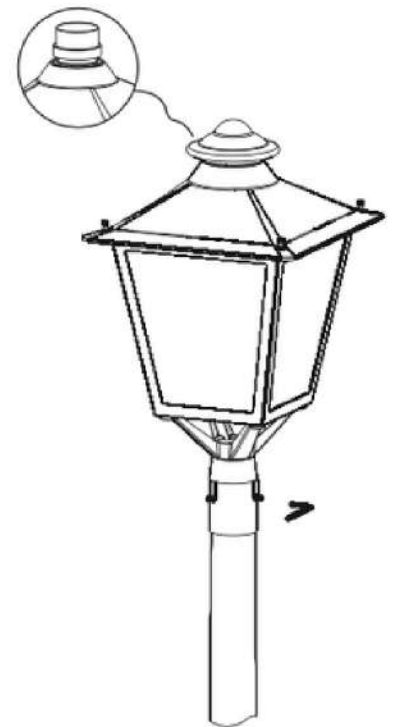
3 Connect ACL & ACN

- Connect the ACL and the ACN from the lighting fixture to the conduit with the AC power supply cords .Follow the wiring diagram provided as below.



2 Tighten Fixture

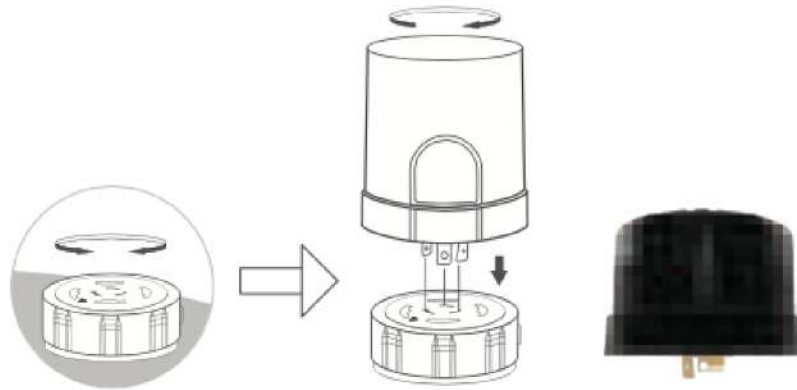
- Slip the fixture over the pole and tighten three screws with the mount bases below.



Photocell Sensor

It is a Standard Three-Prong Twist Lock Photocell which is installed on the top of the Fixtures. Once the photocell is installed, the area light will automatically turn on and off, dusk to dawn.

Daylight (ambient light threshold) adjustable: 10lux / 30lux / 50lux / 100lux / 150lux / 200lux / 300lux / Disable



Motion Sensor

This motion sensor allows extra energy savings without compromising convenience. With its signature 3-step dimming function, it is perfect for use in areas that require a light change notice before optionally switching off the light.

Daylight(on/off)

Stand-by period adjustable: 1min / 30min / 1h / infinity
0% / 20% / 30% / 50%
Holding Time adjustable: 5s / 1min / 5min / 10min / 15min / 20min / 30min / 1h

