



CARO High Performance Area Light



Customizable: Select the wattage, Kelvin, optics, mounts and controls to get exactly what you need

Efficient: 160 to 170 luminaire lumens per watt (LPW) for maximum LED energy efficiency

Value: Durability and entry level low price combine for an LED area light / flood light that delivers outstanding value



Bracket Mount



Pole Mount



Slip Fitter Mount

CARO	CARO 63 AF55XL6015/060	CARO 93 AF55XL6015/090	CARO 130 AF55XL6015/130	CARO 196 AF55XL6015/20	CARO 235 AF55XL6032/234	CARO 258 AF55XL6032/265
Weight	17 Pounds	17 Pounds	17 Pounds	17 Pounds	22 Pounds	22 Pounds
Finish	UV Stabilized Powdercoat Finish	UV Stabilized Powdercoat Finish	UV Stabilized Powdercoat Finish	UV Stabilized Powdercoat Finish	UV Stabilized Powdercoat Finish	UV Stabilized Powdercoat Finish
Finish Color	Bronze, Custom RAL Optional with MOQ	Bronze, Custom RAL Optional with MOQ	Bronze, Custom RAL Optional with MOQ	Bronze, Custom RAL Optional with MOQ	Bronze, Custom RAL Optional with MOQ	Bronze, Custom RAL Optional with MOQ
Color Rendering Index (CRI)	70+ CRI	70+ CRI	70+ CRI	70+ CRI	70+ CRI	70+ CRI
Optics	T3, T4, or T5	T3, T4, or T6	T3, T4, or T7	T3, T4, or T8	T3, T4, or T9	T3, T4, or T10
Color Temperature - Kelvin	3000K, 4000K, or 5000K	3000K, 4000K, or 5000K	3000K, 4000K, or 5000K	3000K, 4000K, or 5000K	3000K, 4000K, or 5000K	3000K, 4000K, or 5000K
Housing	One Piece Die-cast Aluminum	One Piece Die-cast Aluminum	One Piece Die-cast Aluminum	One Piece Die-cast Aluminum	One Piece Die-cast Aluminum	One Piece Die-cast Aluminum
Lens	Clear Polycarbonate	Clear Polycarbonate	Clear Polycarbonate	Clear Polycarbonate	Clear Polycarbonate	Clear Polycarbonate
LED Type	LED Array	LED Array	LED Array	LED Array	LED Array	LED Array
System Watts	63	93	130	190	229	257
Luminaire Lumens (T3 & 5K)	10,533	15,662	21,777	31,692	38,634	43,585
Luminaire Lumens per Watt	167	168	168	167	169	170
Dimensions in Inches Without Mount	11.8 x 21.97 x 5.24"	11.8 x 21.97 x 5.24"	11.8 x 21.97 x 5.24"	11.8 x 21.97 x 5.24"	14 x 24.8 x 4.52"	15 x 24.8 x 4.52"
Dimensions in Millimeters Without Mount	300 x 558 x 133mm	301 x 558 x 133mm	302 x 558 x 133mm	303 x 558 x 133mm	360 x 621 x 113mm	361 x 621 x 113mm
Mounts	Trunnion, Slip Fitter, or Pole Mount	Trunnion, Slip Fitter, or Pole Mount	Trunnion, Slip Fitter, or Pole Mount	Trunnion, Slip Fitter, or Pole Mount	Trunnion, Slip Fitter, or Pole Mount	Trunnion, Slip Fitter, or Pole Mount
Rated Life	L70 @ 50,000 Hours	L70 @ 50,000 Hours	L70 @ 50,000 Hours	L70 @ 50,000 Hours	L70 @ 50,000 Hours	L70 @ 50,000 Hours
Voltage	120-277v, 347v or 480v	120-277v, 347v or 480v	120-277v, 347v or 480v	120-277v, 347v or 480v	120-277v, 347v or 480v	120-277v, 347v or 480v
Surge Protection	4kV Standard. 20kV Optional	4kV Standard. 20kV Optional	4kV Standard. 20kV Optional	4kV Standard. 20kV Optional	4kV Standard. 20kV Optional	4kV Standard. 20kV Optional
Controls	Photocell or Microwave Bi-Level Dimming	Photocell or Microwave Bi-Level Dimming	Photocell or Microwave Bi-Level Dimming	Photocell or Microwave Bi-Level Dimming	Photocell or Microwave Bi-Level Dimming	Photocell or Microwave Bi-Level Dimming
Effective Projected Area (EPA)	1.1	1.1	1.1	1.1	1.4	1.4
Operating Temperature	-40°C to +40°C -40°C to +104°F	-40°C to +40°C -40°C to +104°F	-40°C to +40°C -40°C to +104°F	-40°C to +40°C -40°C to +104°F	-40°C to +40°C -40°C to +104°F	-40°C to +40°C -40°C to +104°F
Wet Location Rated	IP65	IP65	IP65	IP65	IP65	IP65
Listings	DLC, UL, CUL, CE, RoHs	DLC, UL, CUL, CE, RoHs	DLC, UL, CUL, CE, RoHs	DLC, UL, CUL, CE, RoHs	DLC, UL, CUL, CE, RoHs	DLC, UL, CUL, CE, RoHs
Warranty	5 Years	5 Years	5 Years	5 Years	5 Years	5 Years



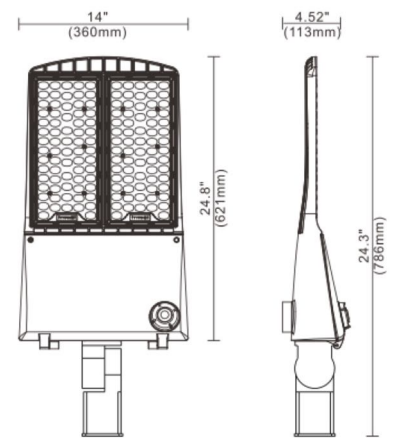
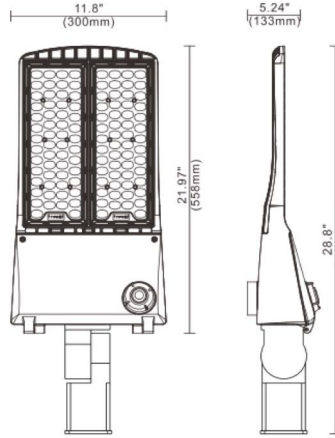
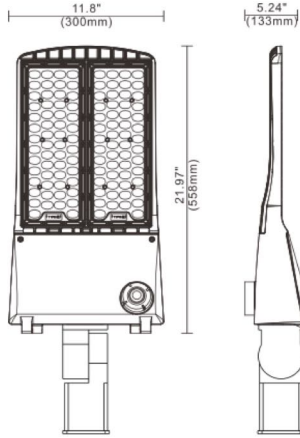
CARO 63 CARO 93



CARO 130 CARO 196



CARO 235 CARO 258



CARO Shown with Optional Photocell

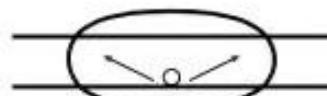


CARO Shown with Optional Microwave Bi-Level Control



3 Types of Optics Available

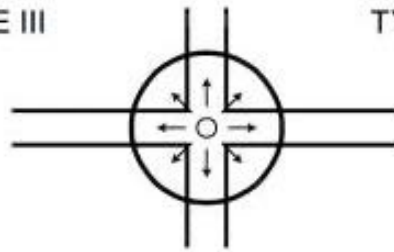
Photometric studies are available. Speak with an Access Fixtures lighting specialist to determine which optics are best for your application.



TYPE III



TYPE IV



TYPE V