

SPEC SHEET



ARRI

25 W LED SELECTABLE KELVIN BOLLARD LIGHT

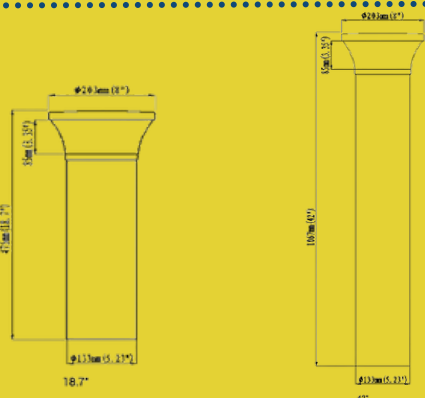
AccessFixtures.com

1 Selectable Kelvin:
Easily select the Kelvin you want with the flick of a switch ensuring the correct Kelvin for your location

2 Type V Optics:
LEDs are mounted in the head aimed down and reflect off of the cone reflector for wide 360° light distribution

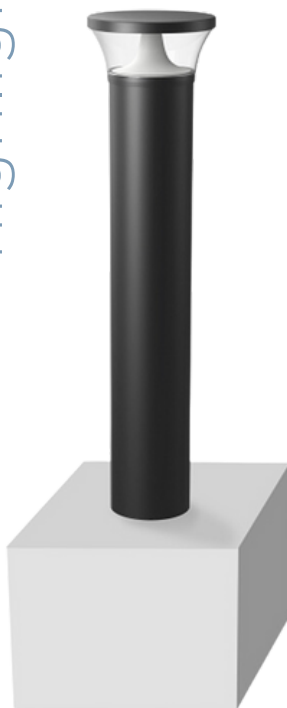
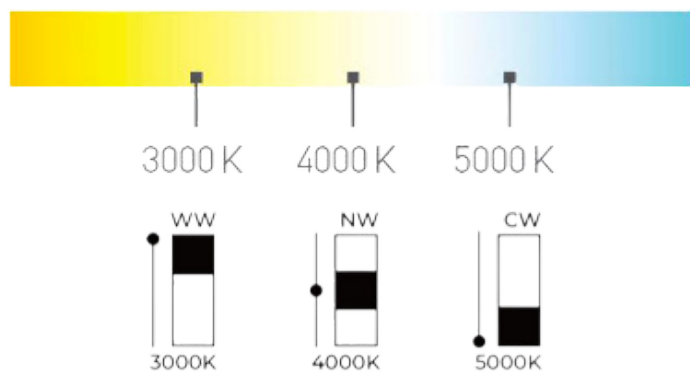
3 Premium Build:
EXTREME-LIFE L70 @ 153,000 hours, IP66 rated against water jets, and Marine Grade finish for maximum life and durability

highlights



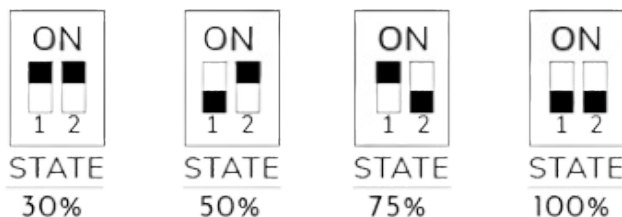
3 CCT Adjustable

3000K, 4000K, 5000K adjustable



4 Power Adjustable

100%, 75%, 50%, 30% adjustable



PH: 800-468-9925
Sales@AccessFixtures.com
AccessFixtures.com

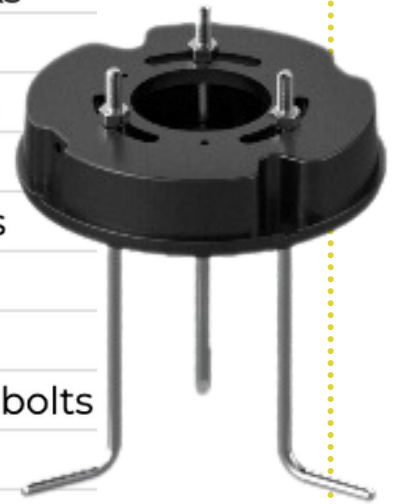


AccessFixtures
High-Performance Lighting Solutions



25w ARRI FEATURES

Weight	18.7 inch: 8.38lbs 42 inch: 12.35lbs
Dimensions	18.7 inch: 5.23"×18.7" 42 inch: 23"×42"
Availability	Typically ships in 3-4 weeks
Light Source	LED
Available Finishes	Black, White, Gray, Bronze
Finish	Power coating
Lens	Polycarbonate optical lens
Light Source Included	LED 3030
Listings	IP66, IK10
Mounting	Mounting kit with anchor bolts
Product Family	ARRI
Rated Life	L70 @ 153,000 Hours
Material	Polycarbonate optical lens Aluminum alloy
System Watts	25 w
Voltage	120-277 Vac 50 / 60 Hz
Beam Angle	R06401 (Type V)
Control	Non-dim/Dimmable
CRI	Ra80 (Ra70 optional)
Warranty	5-Year Limited Warranty

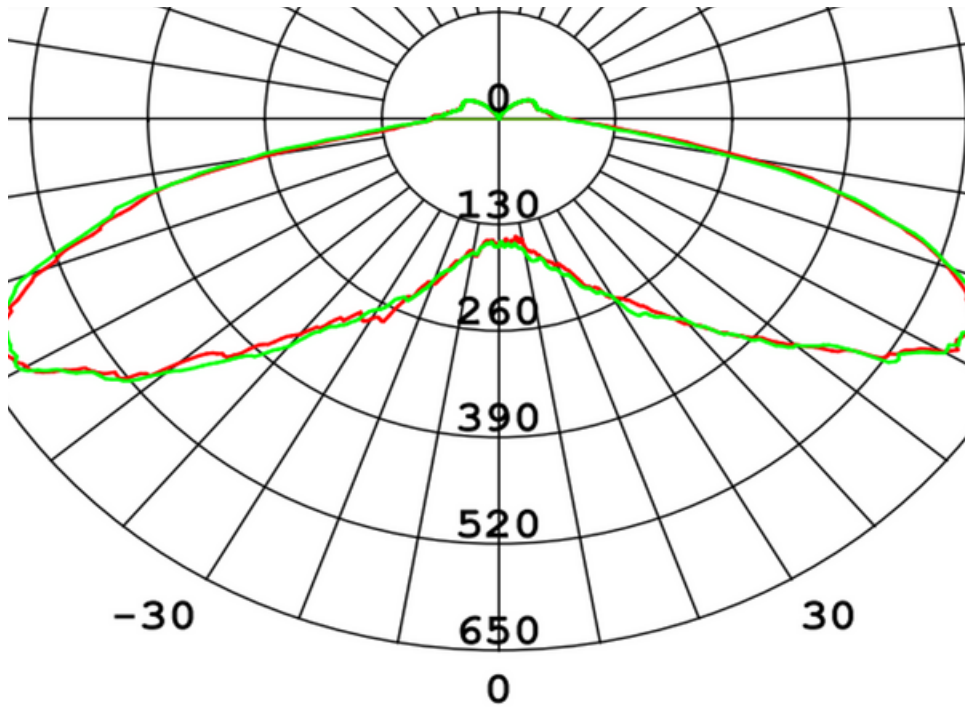


OPTIONS

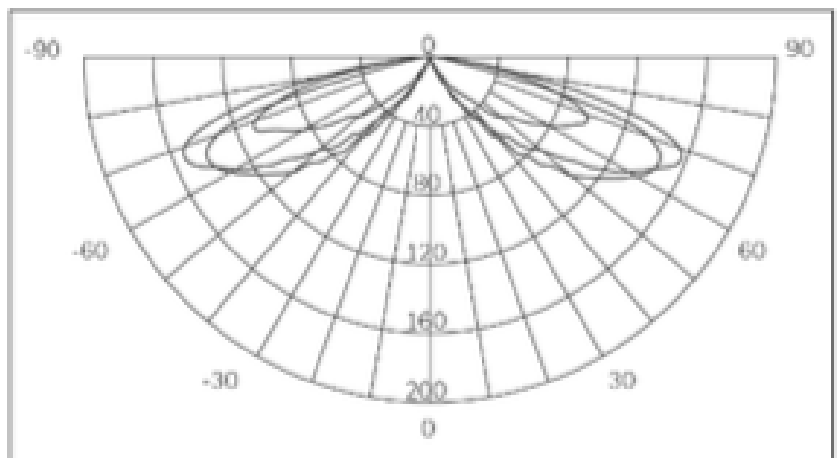
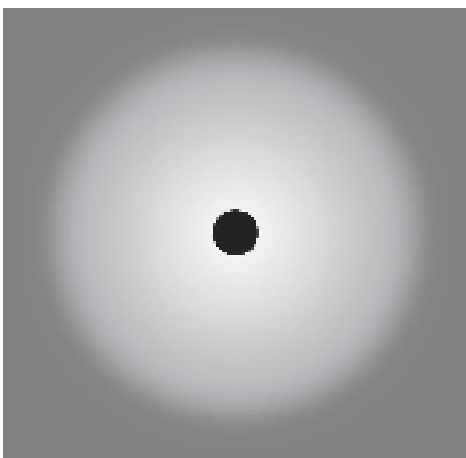
- 3000K, 4000K, or 5000K
- 14w or 25w
- 18.7" or 42" height options
- Ra80 optional
- BUG Rating: 2, 3, 2



ARRI PHOTOMETRIC DATA



Bollard Light - 360° Coverage



ARRI PHOTOMETRIC DATA

