

SPEC SHEET



ARCA

SOLAR LED BOLLARD LIGHT

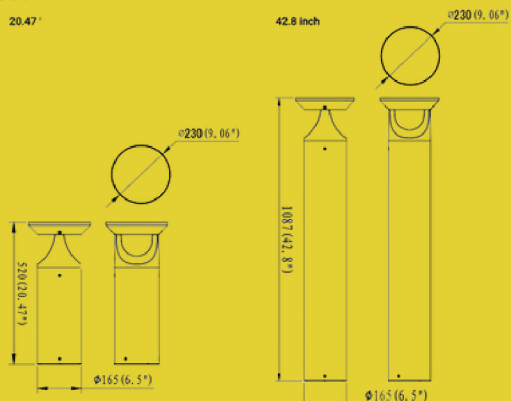
AccessFixtures.com

1 Solar Performance:
3w High efficiency UV resistant mono-crystalline solar panel, long lifespan LiFePO4 battery, and 8-hour charging

2 Programmable:
Use pre-programmed mode or customize for your climate/location using an optional handheld remote programmer

3 Premium Build:
EXTREME-LIFE L70 @ 271,000 hours, IP66 rated against water jets, and Marine Grade finish for maximum life and durability

highlights



PH: 800-468-9925

Sales@AccessFixtures.com

AccessFixtures.com



AccessFixtures

High-Performance Lighting Solutions



ARCA FEATURES

| | |
|------------------------------|--|
| Weight | 20.47 inch: 11.24lbs 42.8 inch: 16.05lbs |
| Dimensions | 20.47 inch: 9.06"×20.47" 42.8 inch: 9.06"×42.8" |
| Availability | Typically ships in 7-10 business days |
| Light Source | 4,000K standard - 3000K, 5000K optional |
| Available Finishes | Black |
| Finish | Power coating |
| Lens | Tempered Clear Flat Glass Lens |
| Light Source Included | LED 2835 |
| Light Source Lumens | 430 |
| Listings | IP66, IK07 |
| Mounting | Mounting kit with anchor bolts |
| Product Family | ARCA |
| Rated Life | L70 @ 271,000 Hours Mono-Crystalline solar panel LiFePO4 battery Polycarbonate optical lens Aluminum alloy |
| Material | |
| System Watts | 3 W |
| Battery | LiFePO4 battery |
| Charging Time | >8hours |
| Battery Capacity | 38.4Wh |
| Beam Angle | R03201(Type V),R03202(Type IV),R03203(Type V) |
| CRI | Ra80 (Ra70 optional) |
| Warranty | 5-Year Limited Warranty |



OPTIONS

- Optional Round House side shield to reduce glare light
- 590nm Amber
- Handheld Remote Programmer

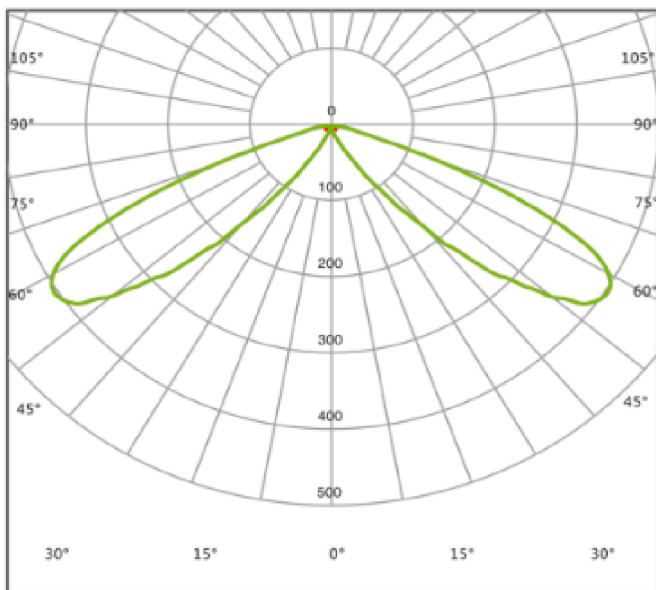
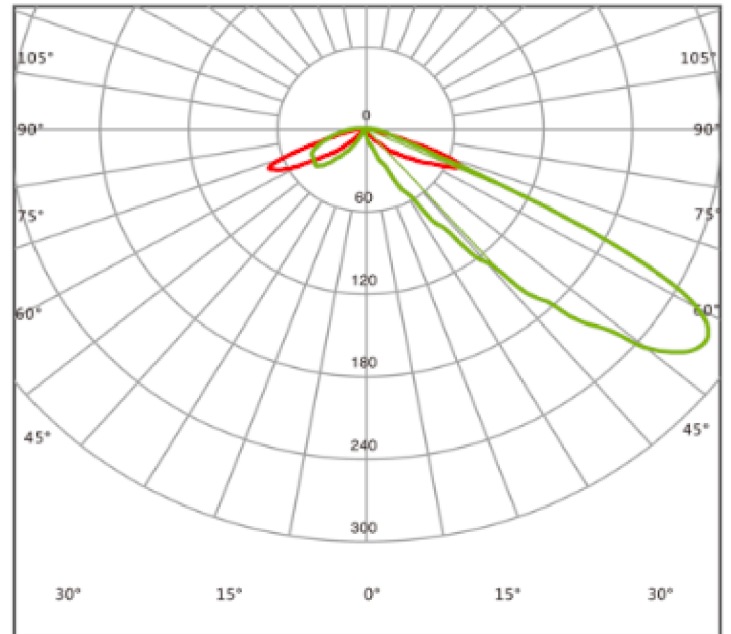
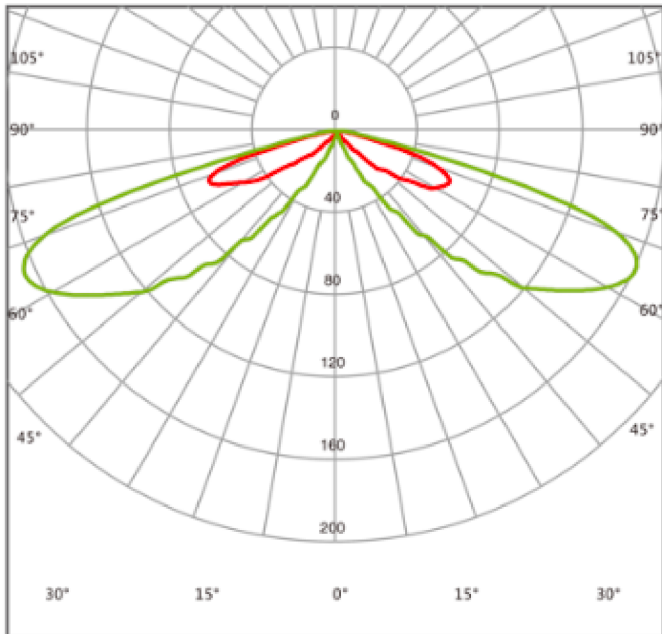




AccessFixtures

High-Performance Lighting Solutions

ARCA PHOTOMETRIC DATA



PH: 800-468-9925
Sales@AccessFixtures.com
AccessFixtures.com



AccessFixtures
High-Performance Lighting Solutions



AccessFixtures

High-Performance Lighting Solutions

ARCA bollard lights should only be installed in climates where the temperature is over 32° F when the battery is charging.

Please note that the operating temperature and charging temperature are 2 different things. Lithium battery manufacturers and solar lighting companies may list an operational temperature range of -20°C to +55°C. That may be true, but that does not mean that the battery can be charged at that temperature. The operational temperature range refers to discharging the battery only. Charging a Lithium battery in temperatures below 0°C must be avoided unless your battery is specially equipped to be charged at lower temperatures. Charging a Lithium battery below 0°C / 32°F causes a chemical reaction called “Lithium Plating” and causes a permanent reduction of the battery’s capacity. The process continues to reduce performance each time this reaction occurs.

PH: 800-468-9925
Sales@AccessFixtures.com
AccessFixtures.com



AccessFixtures
High-Performance Lighting Solutions