

SPEC SHEET



FLOA LED FLOOD LIGHT

AccessFixtures.com

1

Extreme Life:

Rated L70 @ 347,000 hours for years of reliable performance

2

Knuckle Mount:

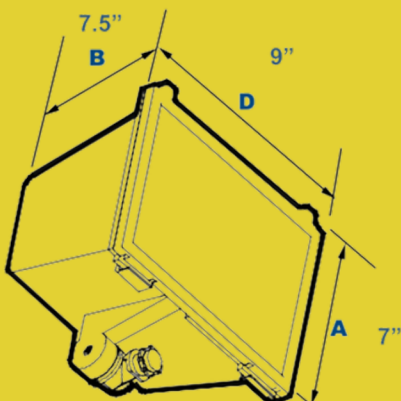
Knuckle mount easily connects to electrical box, post top fitter, or optional ground stake.

3

Durable:

Die-cast aluminum housing with textured architectural bronze powdercoat finish over a chromate conversion coating.

highlights



PH: 800-468-9925
Sales@AccessFixtures.com
AccessFixtures.com



AccessFixtures
High-Performance Lighting Solutions

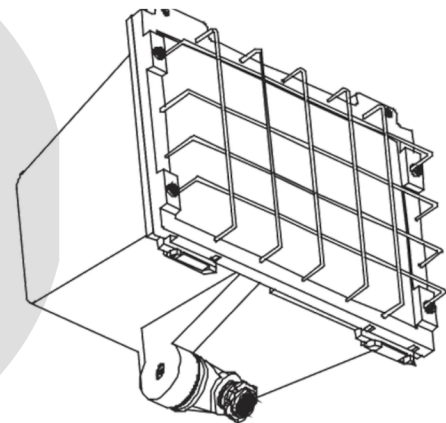


FLOA FEATURES

Dimensions	9"W x 7.5"L x 7"H
Availability	Typically ships in 7-10 business days
Light Source	5000K – Bright White
Available Finishes	Bronze, custom RAL
Housing	Die-Cast Aluminum Housing & Hinged Gasketed Lens Frame. Nickel-Plated Stainless Steel Hardware
Lens	Tempered Clear Flat Glass Lens
Light Source Included	Array
Light Source Lumens	2,123
Listings	IP65, DLC Listed, CSA
Mounting	Adjustable Knuckle with Angle Indicators & ½ NPS Threads.
Product Family	FLOA
Rated Life	L70 @ 347,000 Hours
System Watts	25w
Voltage	120-277v, 347-480v
Warranty	5-Year Limited Warranty

OPTIONS

- Textured architectural bronze finish with custom RAL colors available upon request
- Single and double fuse available: 120-277v only
- Optional surge protection
- Optional 480v
- Optional wire guard - stainless steel, includes Hardware
- Optional clear UV-stabilized polycarbonate vandal-resistant guard - includes hardware
- Optional glare shield, aluminum, bronze powder coat finish - includes hardware





FLOA PHOTOMETRIC DATA

