

MANUAL



BAHZ

LED Post-Top Light

AccessFixtures.com

The following is provided as an overview and is not intended to be a comprehensive guide. All installations must be completed by a licensed contractor or electrician and in accordance to local codes and ordinances, including but not limited, to National Electrical Code (NEC). Establish proper grounding to ensure safety. It is extremely important that this is done by a licensed electrical professional. Read all instruction guidelines before installation. **WARNING:** This procedure presents a risk of electrical shock and fire. Make sure power is switched OFF before having an electrician begin any portion of installation or repair.

WIRING DIAGRAM



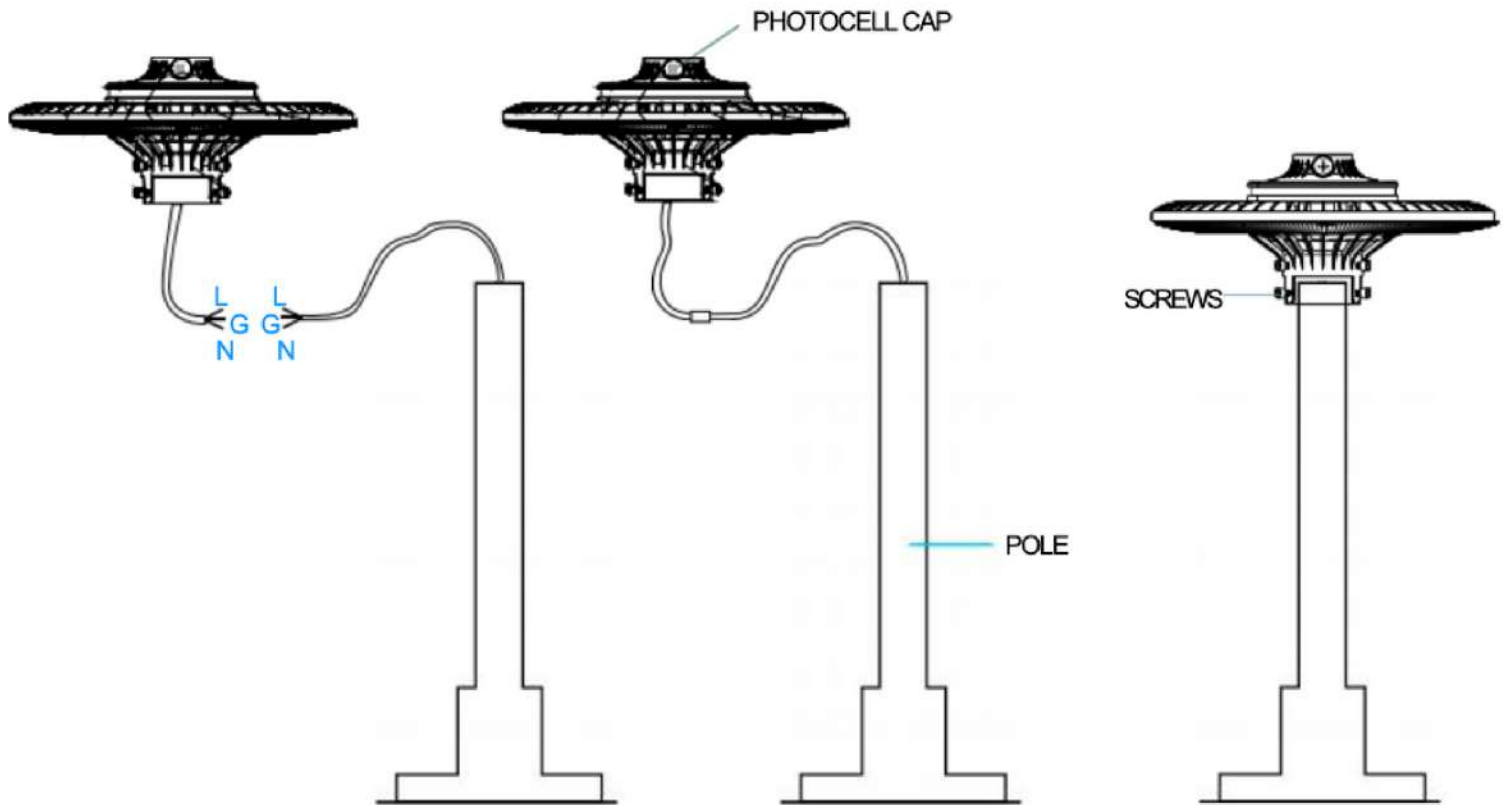
PH: 800-468-9925
Sales@AccessFixtures.com
AccessFixtures.com



AccessFixtures
High-Performance Lighting Solutions



INSTALLATION



1. Properly link AC wires with light wires correctly

Live: Black
Neutral: White
Ground: Green

2. Insulate and protect wires properly

3. Fit the tenon bracket into pole and tighten the 6 screws

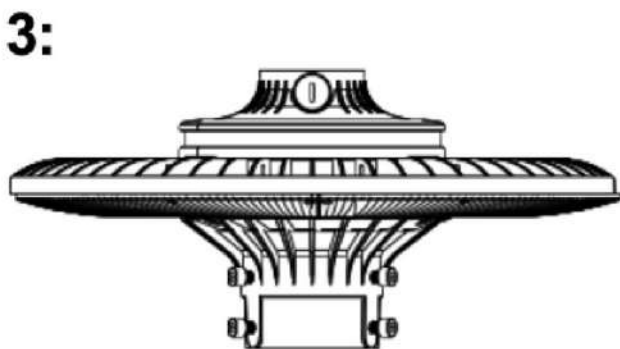
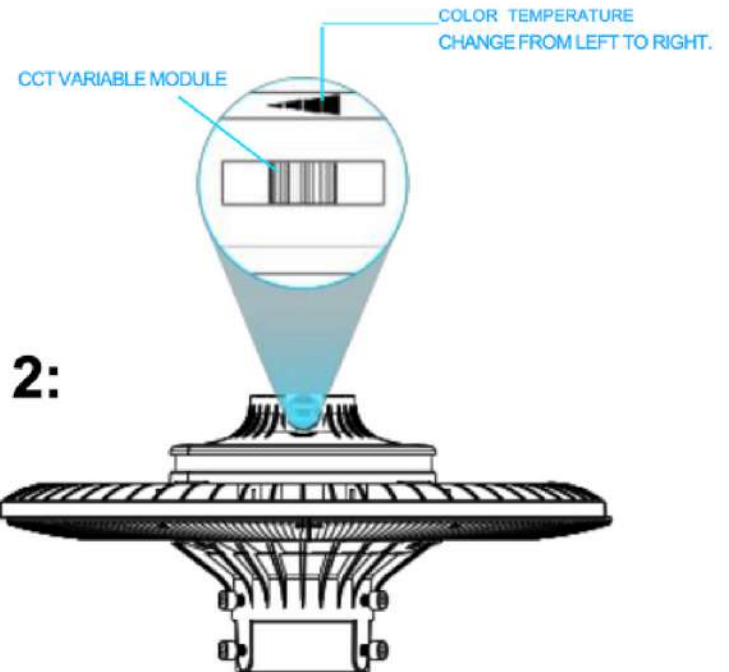
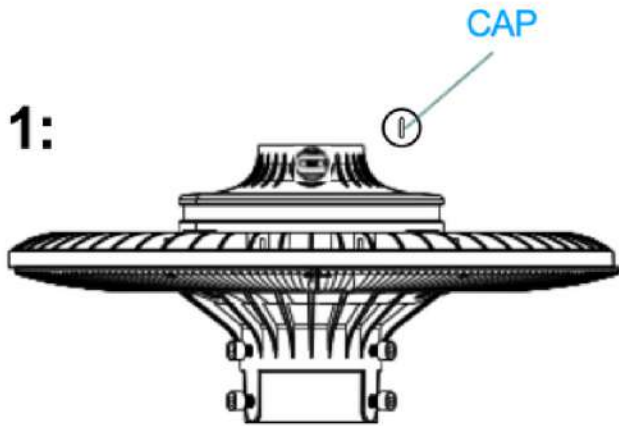




AccessFixtures

High-Performance Lighting Solutions

VARIABLE CCT



1. Unscrew the cap
2. Adjust the CCT
3. Screw the cap back on





AccessFixtures

High-Performance Lighting Solutions

BAHZ STRUCTURE

