

GUIDE



BULI

INSTALLATION MANUAL

AccessFixtures.com

BEFORE YOU BEGIN

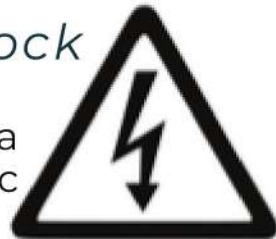
Read and follow all safety instructions



WARNING

Risk of Fire, Explosion and Electric Shock

- This product should be installed, inspected, and maintained by a qualified electrician only, in accordance with the NEC (National Electric Code) and all local codes.
- Turn off electrical power before inspection, installation or removal.
- Use only UL (or other NRTL) approved wire for input/output connections.
- Minimum size 18 AWG or 14 AWG for continuous runs.
- Make sure LEDs and drivers are cool to touch when performing maintenance.
- Make sure the supply voltage is the same as the rated voltage of the luminaire.
- Do not install in a hazardous atmosphere, except where the ambient temperature does
- not exceed the rated operating temperature of the fixture.
- Keep tightly closed when in operation



PH: 800-468-9925

Sales@AccessFixtures.com

AccessFixtures.com



AccessFixtures

High-Performance Lighting Solutions

Prepare Electrical Wiring

1 Electrical Requirements

- Electrical RequirementsThe LED driver must be supplied with the voltage specified on the product label and connected to an individual, properly grounded branch circuit protected by a 20 Ampere circuit breaker. Use min. 75°C supply.



2 Grounding Instructions

- The grounding and bonding of the overall system shall be done in accordance with NEC Article 600 and local codes



Before Starting

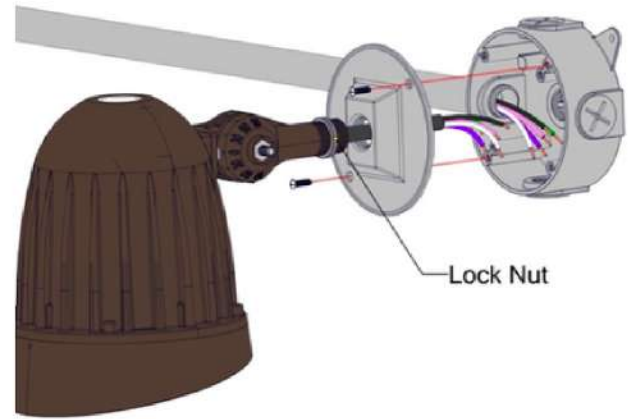
- Ensure that the supply power is shut off.
- Unpack the fixture and ensure that there are no damaged or missing parts.

Tools Required

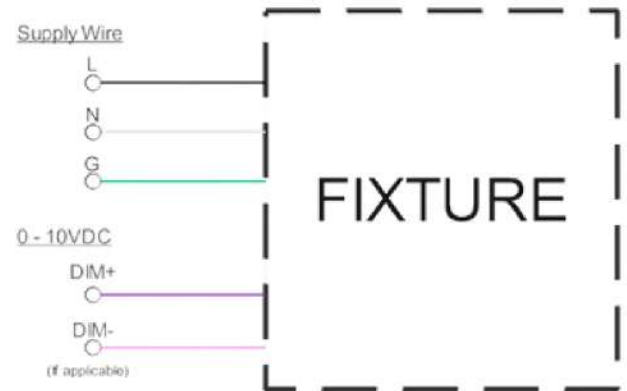
- Wire Strippers
- Wire CuttersPhillips screwdriver

Standard Installation

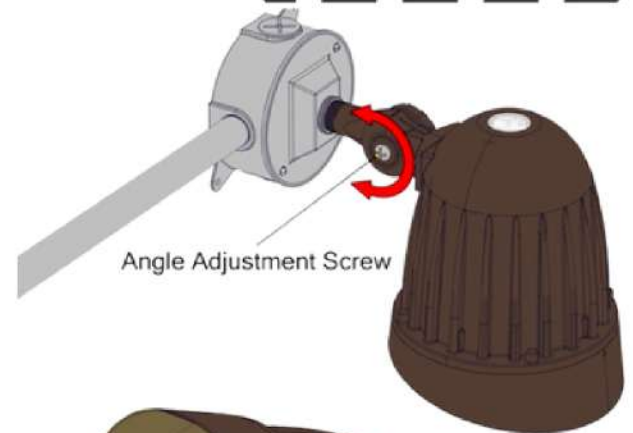
1 Step 1:
Feed the power cord into the junction box or conduit. If j-box mounted, insert the threaded portion of the knuckle into the threaded hole of the cover. Secure the fixture with the Lock Nut.



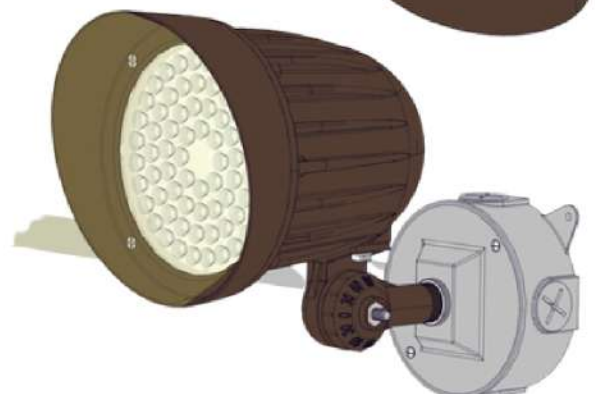
2 Step 2:
Make the wiring connections according to the diagram on Page 4. If dimming is not required, make sure the dimming leads are capped.



3 Step 3:
To aim the fixture, use a screwdriver to loosen the Angle Adjustment Screw. Move the fixture head to the appropriate position and tighten the screw to lock it in position.



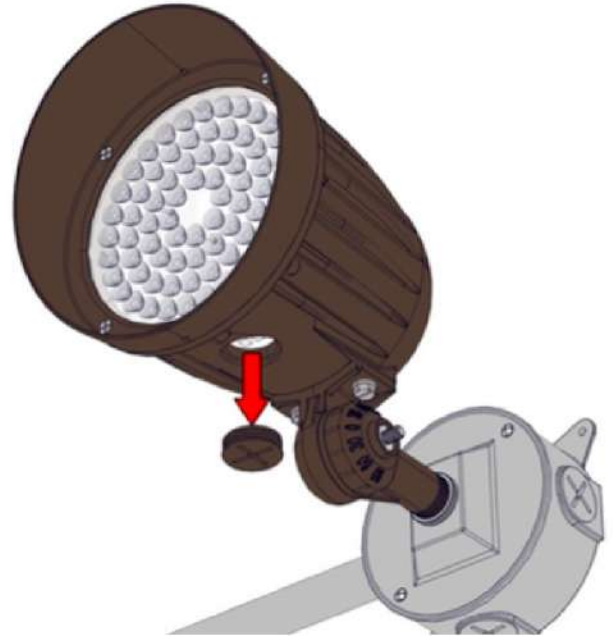
4 Step 4:
Restore power and check that the fixture is working properly.



Accessing the CCT/Wattage Selector

Remove the conduit plug as shown and set to the desired wattage/CCT.

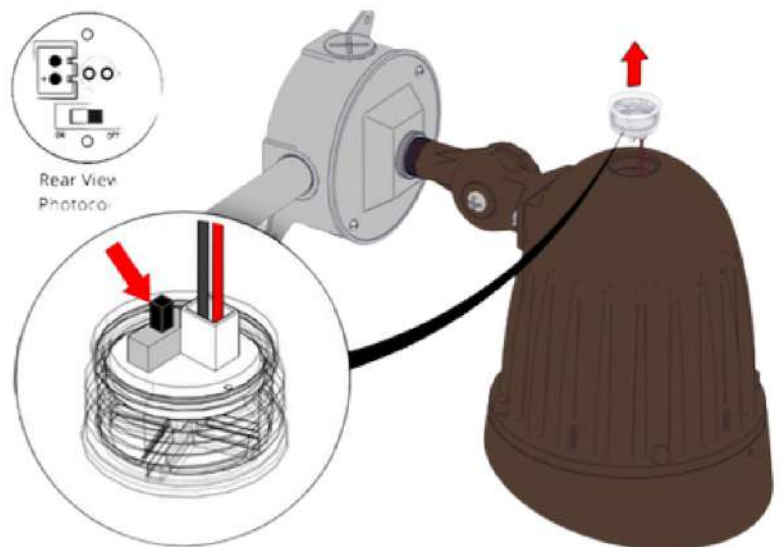
NOTE: Replace the conduit plug securely to avoid water entry into the fixture.



Accessing the Photocontrol

Unscrew the photocontrol and carefully adjust the switch on the back side to enable or disable the photocontrol. Take extreme care not to pull, pinch, or disconnect the photocontrol wires.

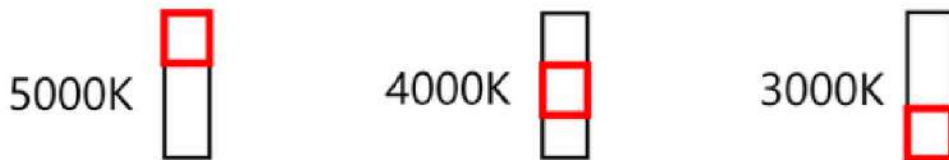
NOTE: Replace the conduit plug securely to avoid water entry into the fixture.





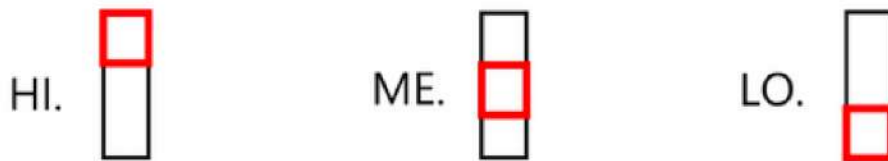
Tunable Settings

Switch Position



For Wattage tuning, adjust the three (3) position slide switch for desired wattage:

Switch Position



Electrical Wiring Diagram

