

SPEC SHEET



STAD

LED SPORTS LIGHT

AccessFixtures.com

1 Optics Options:

STAD has four different optical distribution options: 20, 30, 40, or 50-degree optics to get the light distributed evenly and where it is needed

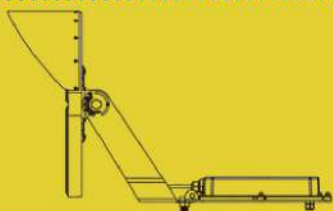
2 Maximum Wattage & LPW:

With up to 570 watts per light fixture and lumens per watt of up to 160, STAD can provide over 90,000 lumens from a single light fixture

3 Lasting Durability::

A heavy-duty die-cast housing and cooling fins maximize heat dissipation, so STADs can function with an ambient temperature of 122°F

highlights



PH: 800-468-9925
Sales@AccessFixtures.com
AccessFixtures.com



AccessFixtures
High-Performance Lighting Solutions



AccessFixtures

High-Performance Lighting Solutions

STAD FEATURES

Light Source	LED
Kelvin	5000K
Size	18" head, 22" head
Watts	570w, 850w
Available Finishes	Gray
Lumens	Up to 90,000
Lumens Per Watt	156 LPW
Lens	20/30/40/50-degree optics
Surge Protection	20kV surge protector
Finish	Heavy-duty die-cast aluminum
Mounting	U Bracket, Bolt Bracket
Listings	CUL, UL, DLC, ROHS, iP65
Voltage	200-528v
CRI	70+
Warranty	5-year limited warranty

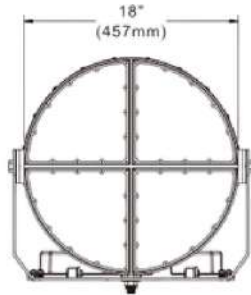
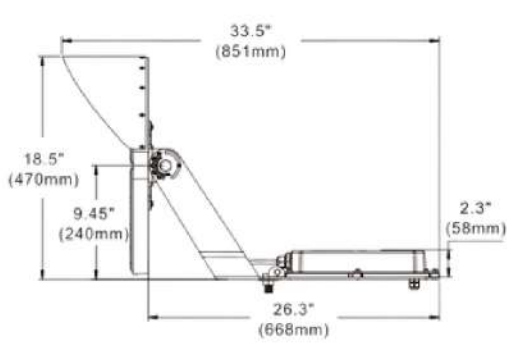
PH: 800-468-9925
Sales@AccessFixtures.com
AccessFixtures.com



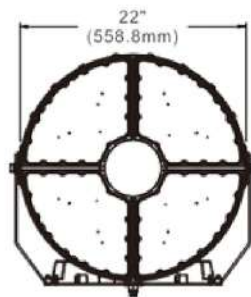
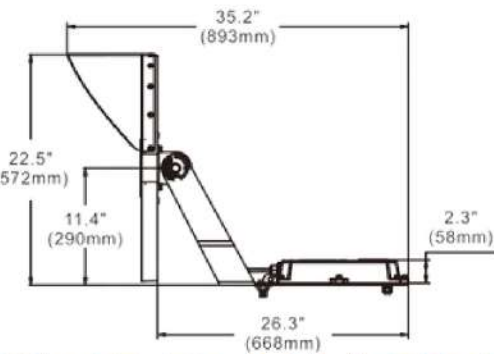
AccessFixtures
High-Performance Lighting Solutions



STAD DIMENSIONS

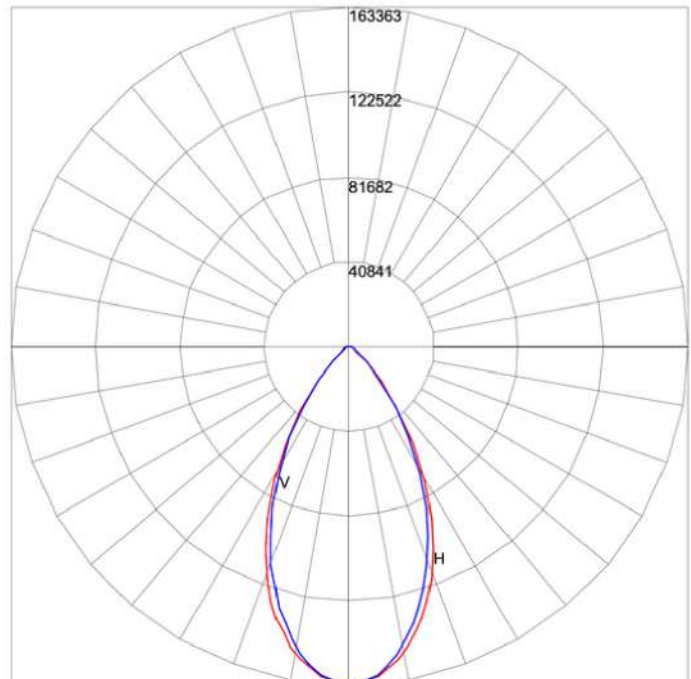
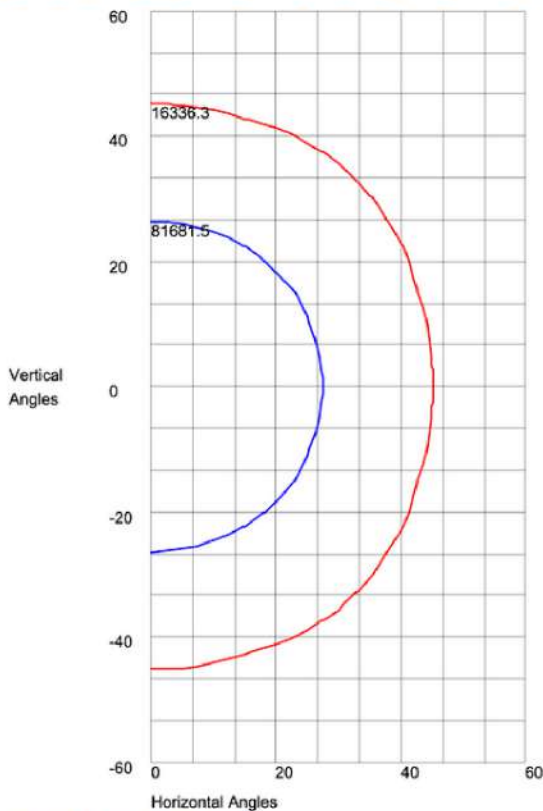


18" Head



22" Head

STAD PHOTOMETRICS



Maximum Candela = 163363 Located At Horizontal Angle = 0, Vertical Angle = 0
 H - Horizontal Axial Candela
 V - Vertical Axial Candela

*Based on 50-degree optics

