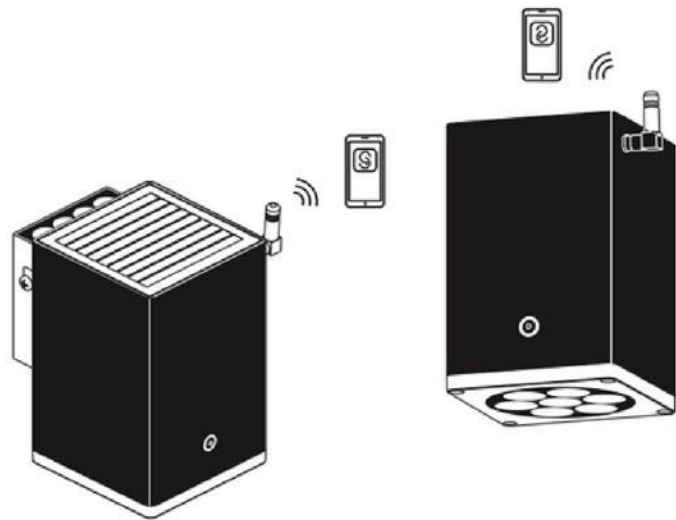


## FIXTURE INSTALLATION

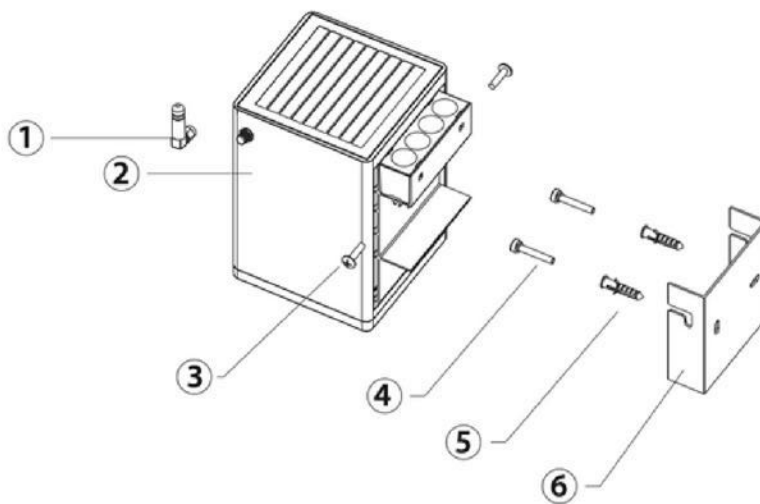
**\*\*The manufacturer takes no responsibility for the product not being installed under those guidelines contained in this document\*\***

- 20°C-60°C  
With Heating Version(H)  
 -20°C-60°C

- 0°C-60°C  
With Heating Version(H)  
 0°C-60°C



### KEY PARTS OF PRODUCT



① Antenna

② Lamp Body

③ M4 Screw

④ TA4\* 25 Screw

⑤ Plastic Expansion  
Screw Pillars

⑥ Wall Mounted  
Bracket



# AccessFixtures

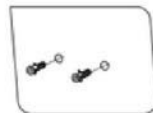
High-Performance Lighting Solutions

## HOW TO INSTALL

### Installation Diagram



1. Please install antenna.



2. Install the plastic expansion screw pillars.



3. Installation Bracket.

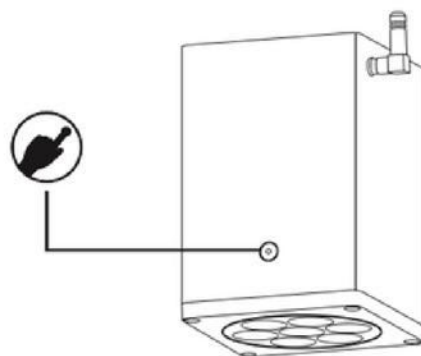


4. Please install the lamp and keep the antenna always pointing straight up, then press the button to turn on the lamp.

### THE PRODUCT OPERATION INSTRUCTIONS

#### SWITCH

Press the button for 1.5 seconds(on/off)



#### FEATURES

Solar panel: Mono-crystalline, Tempered glass laminated.

Charging battery: Lithium battery

Material: Aluminum Alloy +PC

PH: 800-468-9925

Sales@AccessFixtures.com

AccessFixtures.com



# AccessFixtures

High-Performance Lighting Solutions

## BLUETOOTH MESH INSTALLATION



**Please Scan and download App**

### **SPECIAL NOTE**

- Do not install the lamp against the sun, under the shadow or buildings which height above the lamp. Otherwise, it maybe need a longer charging time.
- Do not use the non-standard accessories to install the lamp.
- Setting a suitable lighting model according to local sunlight.
- Please charge the product every 3 months to ensure the activity of the lithium battery.
- If you storage the product over one year, please do fully charge and discharge inspection and make sure the battery is in good condition Otherwise, it is forbidden to use!

### **WARNING**

1. Keep the device away from fire and oil to avoid any fire or explosion.
2. No one except professional technicians should attempt to disassemble the light in order to avoid damaging the light.
3. It is strictly forbidden to disassemble the battery for personal use.
4. If the lamp doesn't get charge for one week, the battery maybe out of power, you have to charge it under bright sunlight.
5. In order to ensure that the lamp works in an ideal state for a long time, please clean the solar panel regularly according to the local dust conditions, our suggestion is one time at least half a year.
6. long-term static storage the product over one year will cause the inside battery damage or even leakage, If the battery is leaking, it will cause the battery to spontaneously ignite.