

L70
25°C **80,000 Hours**

BOLO

LED BOLLARD LIGHTS



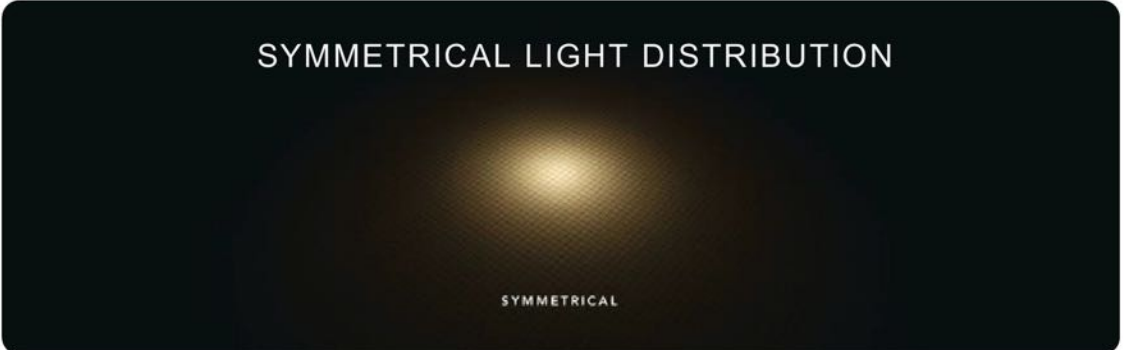
RUNS ON SUN:
This bollard light requires zero wiring and runs completely on all-in-one integrated solar panel.

MAXIMUM EFFICIENCY:
This fixture emits light at 140 lumens per watt, making it efficient for everyday use.

IP65 RATED:
This bollard light is IP65 rated and sealed against dust and water intrusion.

PRODUCT DESCRIPTION

BOLO Solar-powered bollard lights are modern outdoor lighting solutions utilizing solar energy for illumination in pathways, driveways, and outdoor areas. These sleek fixtures integrate solar panels to capture sunlight during the day, converting it into electricity to power LEDs during nighttime. By providing sustainable and energy-efficient lighting, they improve safety and visibility while reducing environmental impact. Easy to install and maintain, these lights offer an eco-friendly and economical means to enhance outdoor spaces aesthetically and functionally.



PERFROMACE DATA:

NOMINAL FLUX	250 LUMENS
NOMINAL POWER	1.8 WATTS
LIGHTING	
EFFICIENCY	140 Lumens/ Watt
LED CHIP SET	Luxeon 30-30 Philips
LED LIFETIME	L70 Rating at 80,000
OPTICS/CCT	TV Optics/ 4000K-5000K (Dual CCT optional)
BOLLARD HEIGHT TO CHOOSE FROM	31.49Inch
BATTERY	
TECHNOLOGY	Lithium Iron Phosphate LiFeP04
CAPACITY	28Wh
AUTONOMY	Over 24 hours at full charge - 4 Rainy Days back-up
CHARGING TIME	6 Hours
LIFESPAN	Over 3000 Cycles @ 80% DOD over 10 years Lifetime
WORKING TEMP.	14F to 158F
ENERGY	
SOLAR PANEL	4.5 Wc
CELLS TYPE	Monocrystalline Panel Grade A 25 years
CERTIFIICATIONS	IEC 61215 - IEC 61730 I and II - IEC 60904
ELECTRONICS	
SENSOR	PIR 180° Sensor (Optional)
DIMENSIONS	
PRODUCT	(D 9.84" x H 31.49")
CARTON SIZE	(33.46" x 12.59" x 13")
WEIGHT	12.34 LBS
MATERIALS	Die Cast Aluminum
INSTALLATION	Concrete base or insert on support
PRODUCT MODEL	AF42XAVS-BL-005

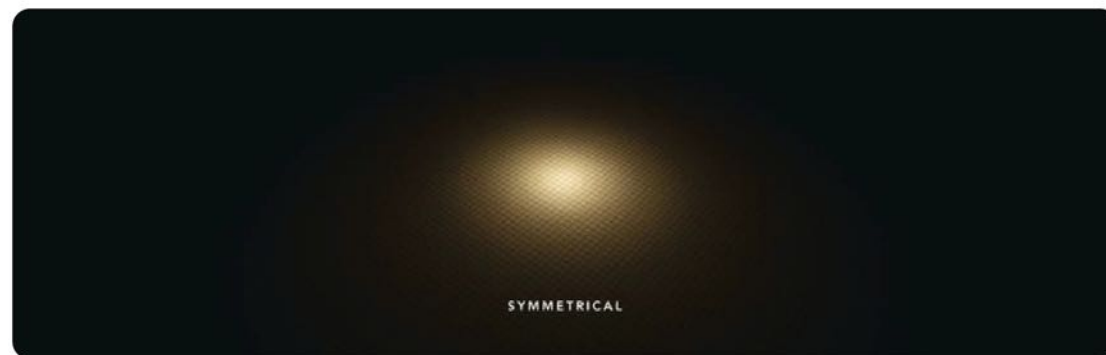
SPECIFICATIONS:

Model #	SKU #	Fixture Height	Power	PV Type	Solar Panel	Lithium Battery	Lumens	CCT	IP Rating	Material
AF42XAVS-BL-005	787904	31.49"	1.8W	MONO	4.5W	4.5AH / 6.4V	250LM	2700K/6000K	IP65	ALUMINUM

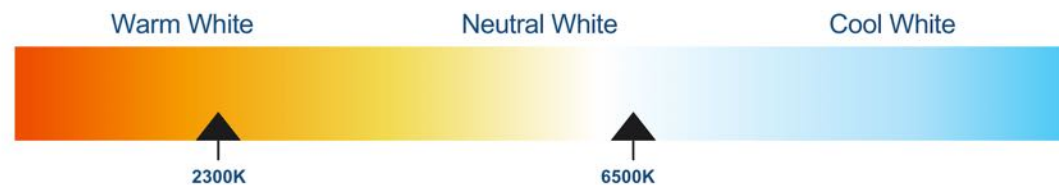
LUMINAIRE & LEDs

The BOLO Bollard incorporates the latest LED technologies, its elegance and ease of installation will meet your lighting needs. BOLO is equipped with LED chips, combining performance and robustness with 140 lumens per watt.

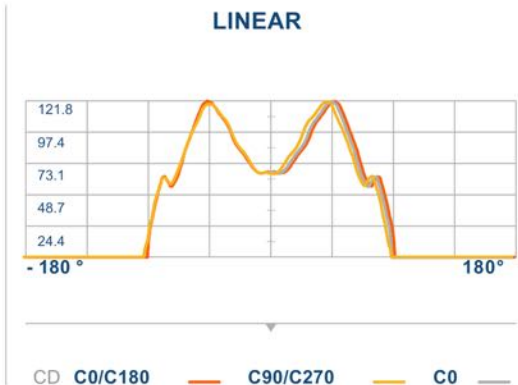
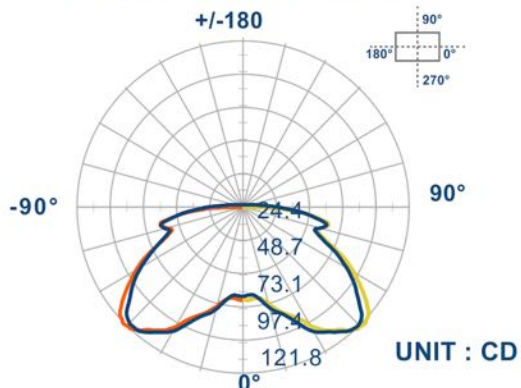
SYMMETRICAL DISTRIBUTION



CORRELATED COLOR TEMPERATURE



PHOTOMETRIC CURVE



BATTERY LIFEPO4

The BOLO bollard is equipped with Lithium Iron Phosphate LiFePO4 batteries, recognized as the best battery technology in terms of longevity, safety, and performance for solar applications. The batteries has a lifespan of over 3000 cycles, which is more than 10 years at 80% DOD.

EXTREME TEMPERATURE 14F TO 158F

While standard batteries benefit from an operating temperature of 14F to 158F, Access Fixtures offers as optional a new Special LiFePO4 battery with working range of -40F to 158F

BMS ELECTRONIC PROTECTION BATTERY MANAGEMENT SYSTEM

The batteries are equipped with electronic circuit boards for a high er protection, ensuring battery functioning optimization in any situation.

THE BMS PROTECTS AGAINST

OVER/UNDER CURRENT • OVERLOAD • OVER/UNDER VOLTAGE • OVER/UNDER CHARGE • TEMPERATURE MANAGEMENT

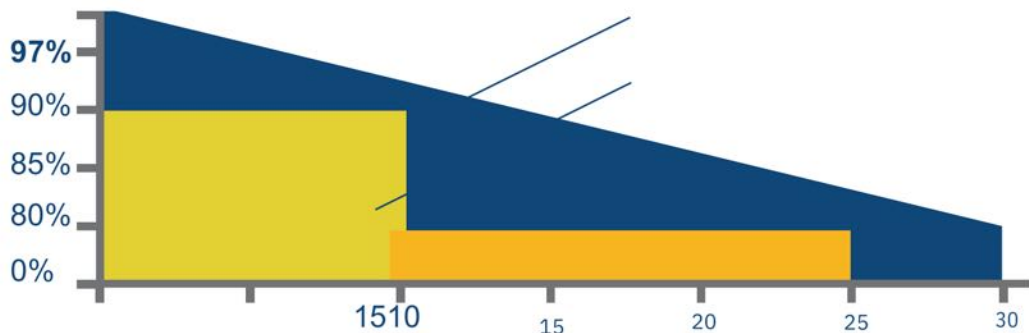


SOLAR PANEL - 4.5 WATT

Encapsulated Monocrystalline Solar Panel **Grade A** Solar Cell with Tempered Glass.

OUR PV PERFORMANCE GUARANTEE

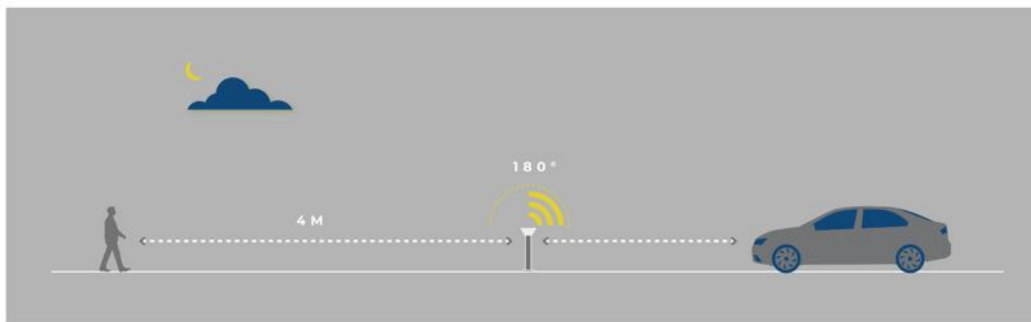
Guarantee module performance



PRESENCE DETECTOR INFRA-RED SENSOR

THE BOLO BOLLARD AUTOMATICALLY TURNS ON AT DUSK AND OFF AT DAWN.

BOLO offers optional PIR movement sensor. The infra red detector integrated into the light fixture will increase the light power as pedestrians or vehicles pass, thus providing a higher level of safety while respecting the environment.

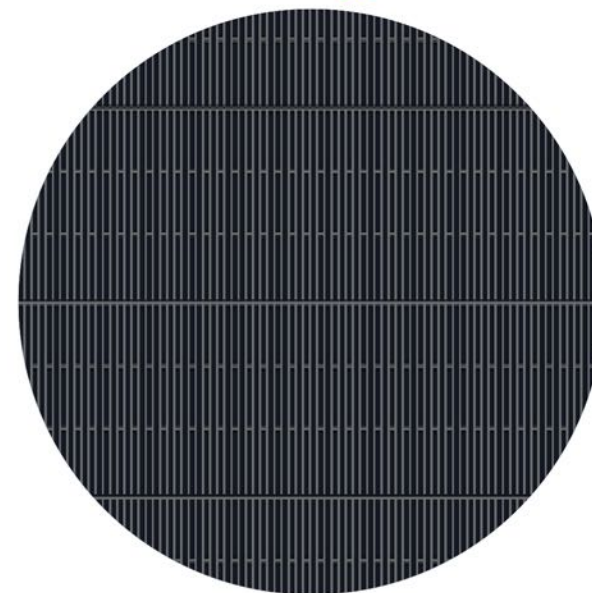


Depending on the geographical area, we will select the % of light reduction.

- Program 1 > 40% Dim + 100% ON during 20 sec
- Program 2 > 30% Dim + 100% ON during 20 sec
- Program 3 > 20% Dim + 100% ON during 20 sec

Solar Panel

GRADE **A**



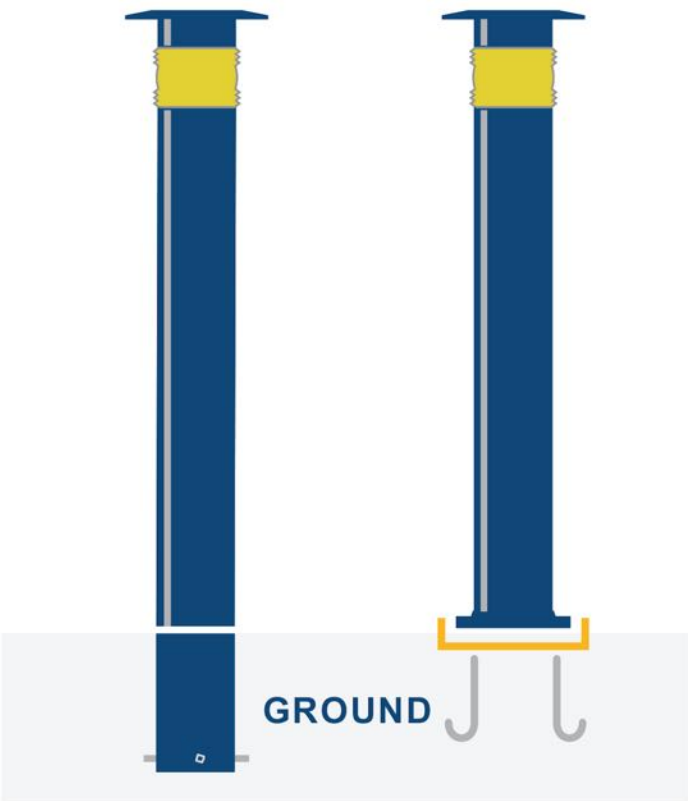
IP65



EASY INSTALLATION

NO CABLING • NO TRENCHING

No wiring or trenching is necessary, you just need to embed the BOLO in concrete or on anchor rods.



1

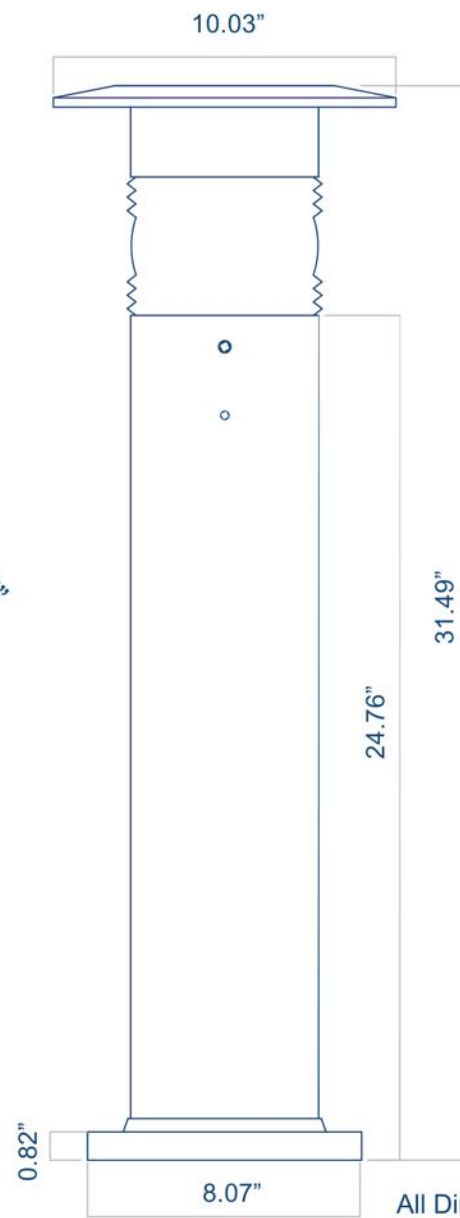
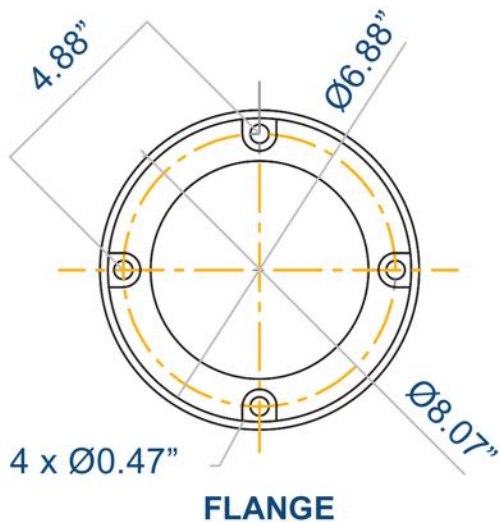
DIRECT BURIED

2

FLAT MOUNT

DIMENSIONS

BOLLARD AND BASE



All Dimensions Are In Inches

