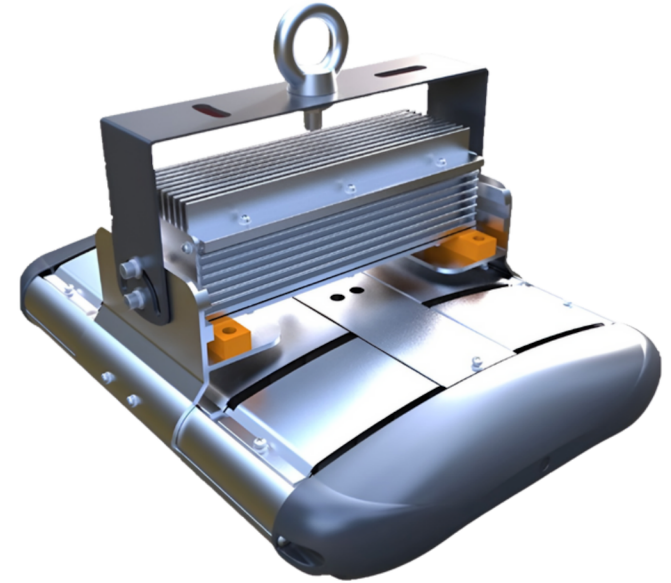
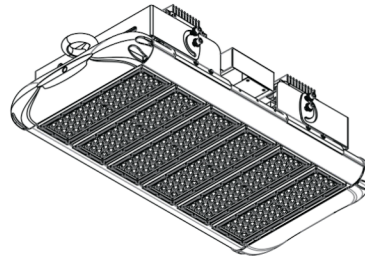


Access Fixtures LED Heat Resistant Lights Installation and Maintenance Manual



Introduction

Crafted with top-tier components, the HAWT LED Light Fixture sets a new standard for industrial lighting, prioritizing reliability and performance in environments where LED maintenance is challenging or costly. Meticulously engineered, every aspect of the HAWT ensures optimal functionality, delivering the advantages of solid-state lighting technology to industrial settings. With an IP66 rating, it is ideal for both indoor and outdoor applications, promising enduring performance in any condition.

Product Features:

- Multiple choice of optical lenses
- Patented thermal management allows -30°C to 80°C ambient working temperature
- System light efficacy 120/130 lm/W
- 5 years warranty, up to 100,000 hours long life
- Easy installation and maintenance

Warning

To avoid the risk of fire, explosion, or electric shock, this product should be installed, inspected, and maintained by a qualified electrician only, in accordance with all applicable electrical codes.

To avoid electric shock:

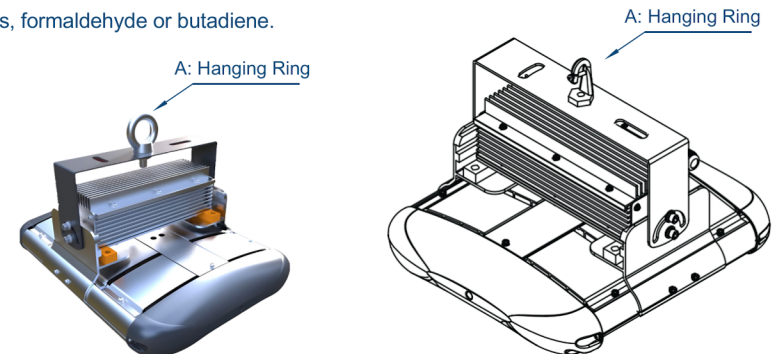
- Be certain electrical power is OFF before and during installation and maintenance.
- Luminaire must be connected to a wiring system with an equipment-grounding conductor.
- Make sure the supply voltage is the same as the rated luminaire voltage.
- Do not operate in ambient temperatures above those indicated on the luminaire nameplate.
- Avoid to use in environments containing sulfur, chlorine, or other halides, methyl acetate or ethyl acetate, cyanoacrylates, glycol ethers, formaldehyde or butadiene.

Installation

For high performance and long term reliability, the light should be installed in free air.

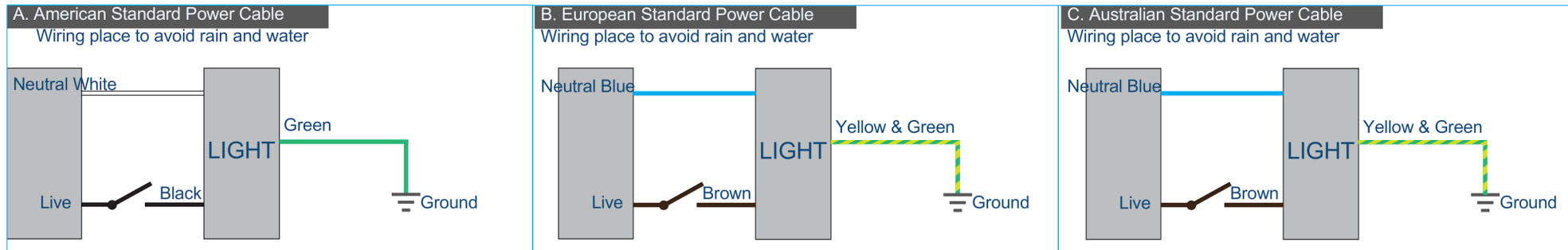
A. Hanging Ring Mount 50~450W

1. Tighten the NUT attached to the hanging ring to ensure the hanging ring is securely connected to the light fixture.
2. Hang the ring to the field supplied by the mounting hook or chain.
3. Wiring.(Connect supply wires to luminaire wire leads per the wiring diagram using methods that comply with all applicable codes.)



Wiring

1. Connect supply wires to luminaire wire leads per the wiring diagram using methods that comply with all applicable codes.
2. Turn power on.



Specification

AC Voltage	100~277V/200~480V	Power Frequency	50/60Hz
Working Temp.	-30~+80°C	Working Humidity IP	15%~90%RH
Storing Temp.	-40~+80°C	Rating	IP66

All statements, technical information and recommendations contained herein are based on information and tests we believe to be reliable. The accuracy or completeness thereof is not guaranteed.



Introduction

The HAWT LED Light Fixture is tailored for industrial settings where reliability and performance are paramount, especially in scenarios where LED maintenance is arduous or expensive. The HAWT Fixture has undergone meticulous engineering to ensure optimal functionality, offering the advantages of solid-state lighting technology in industrial environments. With an IP66 rating, it is suitable for both indoor and outdoor use, guaranteeing enduring performance regardless of the conditions.

Product Features:

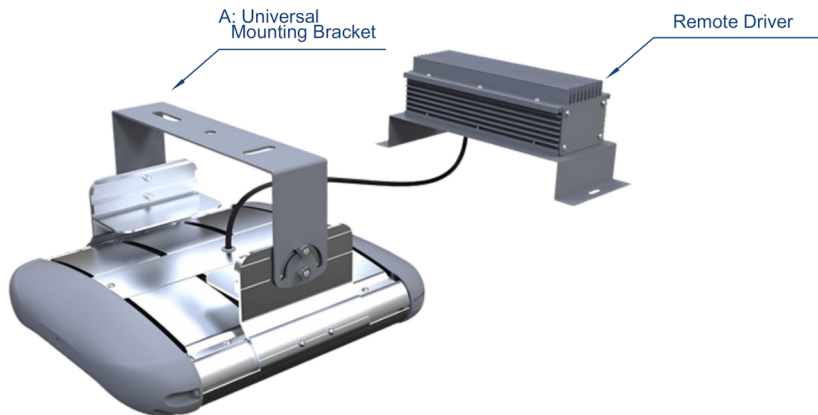
- Multiple choice of optical lenses
- Patented thermal management allows -30°C to 80°C ambient working temperature
- System light efficacy 120/130 lm/W
- 5 years warranty, up to 100,000 hours long life
- Easy installation and maintenance

Warning

To avoid the risk of fire, explosion, or electric shock, this product should be installed, inspected, and maintained by a qualified electrician only, in accordance with all applicable electrical codes.

To avoid electric shock:

- Be certain electrical power is OFF before and during installation and maintenance.
- Luminaire must be connected to a wiring system with an equipment-grounding conductor.
- Make sure the supply voltage is the same as the rated luminaire voltage.
- Do not operate in ambient temperatures above those indicated on the luminaire nameplate.
- Avoid to use in environments containing sulfur, chlorine, or other halides, methyl acetate or ethyl acetate, cyanoacrylates, glycol ethers, formaldehyde or butadiene.



Installation

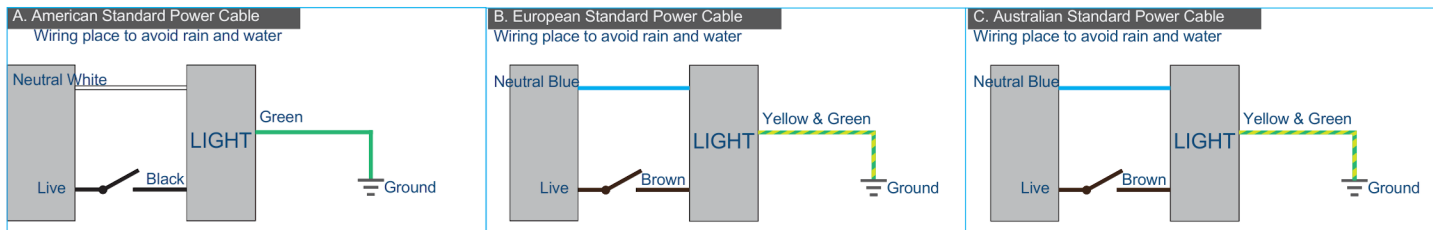
For high performance and long term reliability, the light should be installed in free air.

A. Universal Hanging Bracket 50~450W

1. Rotate the bracket to the desired angle and tighten screw to lock it.
2. Bolt the universal mounting bracket to the field mounting point. Bolt the center point before the two side points. Tighten the bolts to wrench tight.
3. Wiring. (Connect supply wires to luminaire wire leads per the wiring diagram using methods that comply with all applicable codes.)

Wiring

1. Connect supply wires to luminaire wire leads per the wiring diagram using methods that comply with all applicable codes.
2. Turn power on.

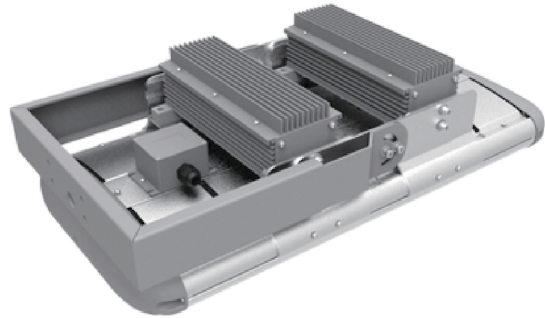


Specification

AC Voltage	100~277V/200~480V	Power Frequency	50/60Hz
Working Temp.	-30~+80°C	Working Humidity	15%~90%RH
Storing Temp.	-40~+80°C	IP Rating	IP66

All statements, technical information and recommendations contained herein are based on information and tests we believe to be reliable. The accuracy or completeness thereof is not guaranteed.





Introduction

The HAWT LED Light Fixture is tailored for industrial settings where reliability and performance are paramount, especially in scenarios where LED maintenance is arduous or expensive. The HAWT Fixture has undergone meticulous engineering to ensure optimal functionality, offering the advantages of solid-state lighting technology in industrial environments. With an IP66 rating, it is suitable for both indoor and outdoor use, guaranteeing enduring performance regardless of the conditions.

Product Features:

- Multiple choice of optical lenses
- Patented thermal management allows -30°C to 80°C ambient working temperature
- System light efficacy 120/130 lm/W
- 5 years warranty, up to 100,000 hours long life
- Easy installation and maintenance

Warning

To avoid the risk of fire, explosion, or electric shock, this product should be installed, inspected, and maintained by a qualified electrician only, in accordance with all applicable electrical codes.

To avoid electric shock:

- Be certain electrical power is OFF before and during installation and maintenance.
- Luminaire must be connected to a wiring system with an equipment-grounding conductor.
- Make sure the supply voltage is the same as the rated luminaire voltage.
- Do not operate in ambient temperatures above those indicated on the luminaire nameplate.
- Avoid to use in environments containing sulfur, chlorine, or other halides, methyl acetate or ethyl acetate, cyanoacrylates, glycol ethers, formaldehyde or butadiene.

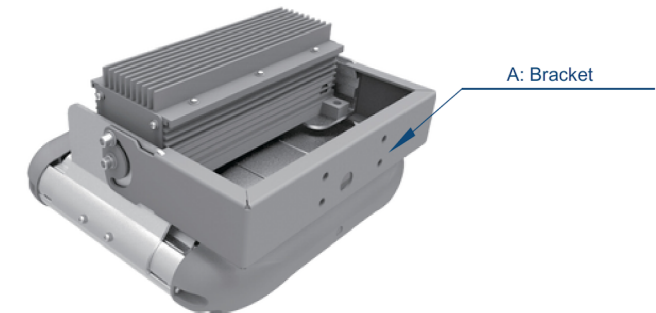
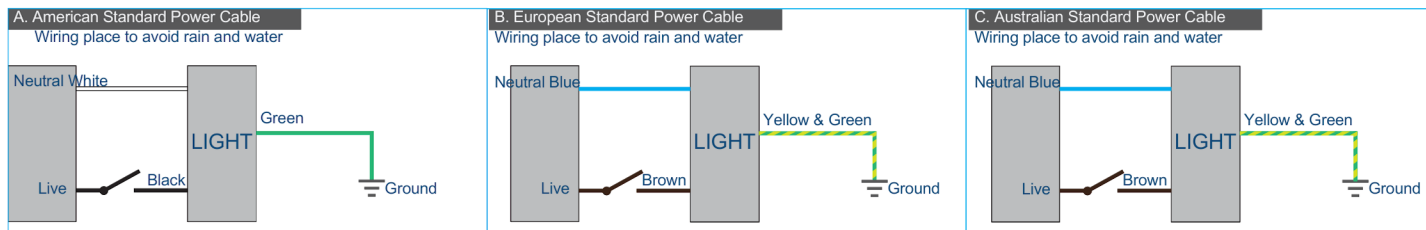
Installation

For high performance and long term reliability, the light should be installed in free air.

A. 180° Universal Bracket 50~450W

Wiring

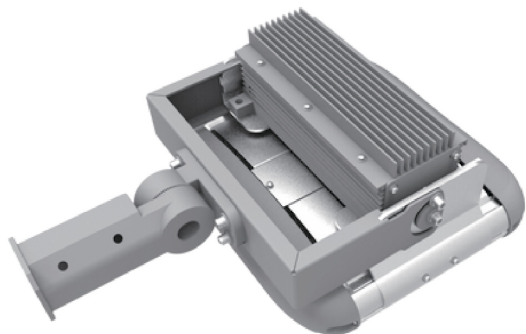
1. Connect supply wires to luminaire wire leads per the wiring diagram using methods that comply with all applicable codes.
2. Turn power on.



Specification

AC Voltage	100~277V/200~480V	Power Frequency	50/60Hz
Working Temp.	-30~+80°C	Working Humidity	15%~90%RH
Storing Temp.	-40~+80°C	IP Rating	IP66

All statements, technical information and recommendations contained herein are based on information and tests we believe to be reliable. The accuracy or completeness thereof is not guaranteed.



Introduction

The HAWT LED Light Fixture is tailored for industrial settings where reliability and performance are paramount, especially in scenarios where LED maintenance is arduous or expensive. The HAWT Fixture has undergone meticulous engineering to ensure optimal functionality, offering the advantages of solid-state lighting technology in industrial environments. With an IP66 rating, it is suitable for both indoor and outdoor use, guaranteeing enduring performance regardless of the conditions.

Product Features:

- Multiple choice of optical lenses
- Patented thermal management allows -30°C to 80°C ambient working temperature
- System light efficacy 120/130 lm/W
- 5 years warranty, up to 100,000 hours long life
- Easy installation and maintenance

Warning

To avoid the risk of fire, explosion, or electric shock, this product should be installed, inspected, and maintained by a qualified electrician only, in accordance with all applicable electrical codes.

To avoid electric shock:

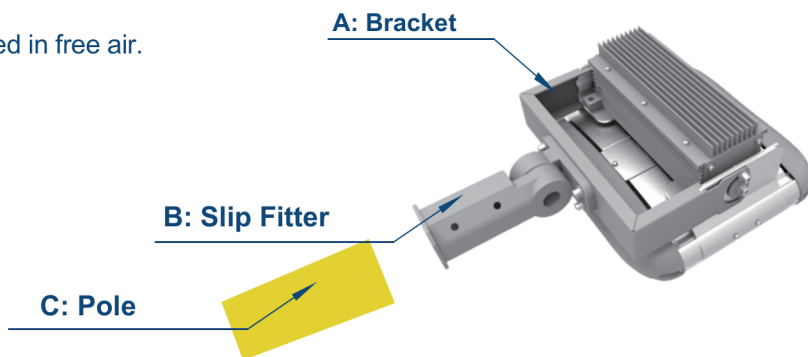
- Be certain electrical power is OFF before and during installation and maintenance.
- Luminaire must be connected to a wiring system with an equipment-grounding conductor.
- Make sure the supply voltage is the same as the rated luminaire voltage.
- Do not operate in ambient temperatures above those indicated on the luminaire nameplate.
- Avoid to use in environments containing sulfur, chlorine, or other halides, methyl acetate or ethyl acetate, cyanoacrylates, glycol ethers, formaldehyde or butadiene.

Installation

For high performance and long term reliability, the light should be installed in free air.

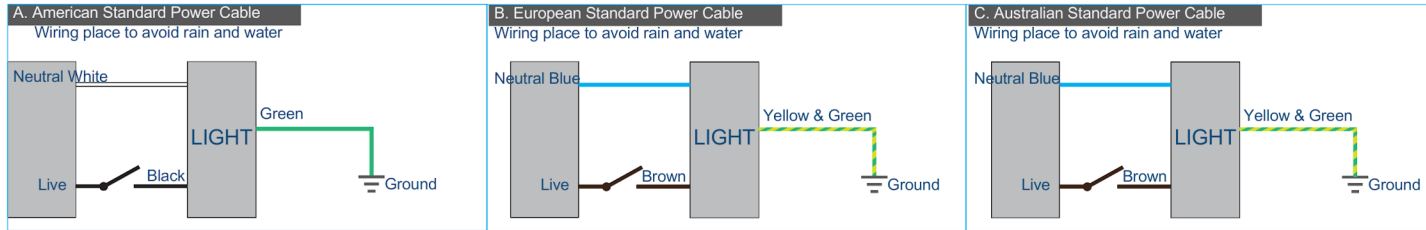
A. Slip Fitter Mount 50~450W

1. Fix the Slip Fitter to Bracket with Bolts.
2. Mount The lighting fixture to Lighting Pole with Bolts.
3. Wiring.(Connect supply wires to luminaire wire leads per the wiring diagram using methods that comply with all applicable codes.)



Wiring

1. Connect supply wires to luminaire wire leads per the wiring diagram using methods that comply with all applicable codes.
2. Turn power on.



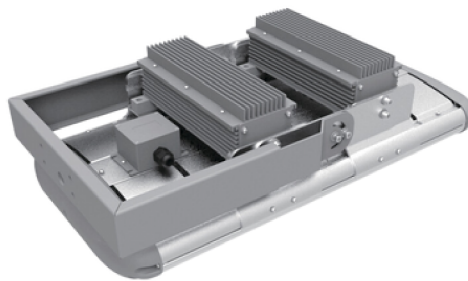
Specification

AC Voltage	100~277V/200~480V	Power Frequency	50/60Hz
Working Temp.	-30~+80°C	Working Humidity	15%~90%RH
Storing Temp.	-40~+80°C	IP Rating	IP66

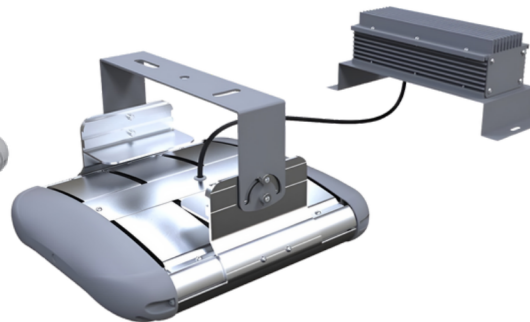
All statements, technical information and recommendations contained herein are based on information and tests we believe to be reliable. The accuracy or completeness thereof is not guaranteed.



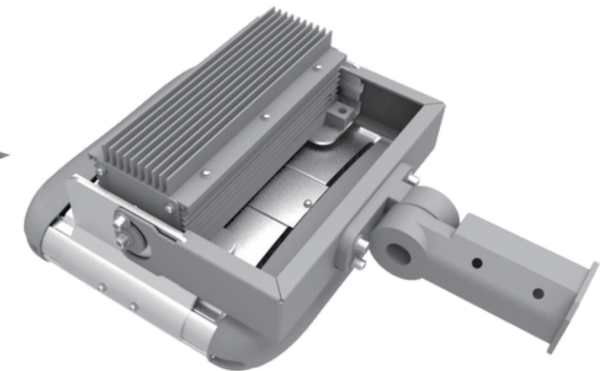
Hang Ring Mount



180° Universal U-Bracket Mount



Universal U-Bracket Mount



Slip Fitter Mount