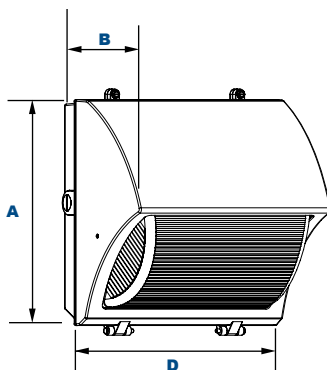


AF33XWPA15Q

ACCO 44w LED Wall Pack

L70
25°C

129,000 Hours



Dimensions

Width (D)	11 1/8" (283mm)
Length (B)	7 1/8" (200mm)
Height (A)	12" (305mm)

Order Information Example:

AF33XWPA15QF1X37U5KZSP

Model	F	1X37	Driver	5K	Color	Options
AF33XWPA15Q= EasyLED Small Accord Semi-Cutoff Wall Pack	F=Type IV	1X37=37w	U=120-277V H=347-480V	5K=5000K	Z=Bronze C=Custom (Consult Factory)	SF=Single Fuse DF=Double Fuse SP=Surge Protection P10=Pencil Photocell, 120VAC P12=Pencil Photocell, 208-277VAC P14=Pencil Photocell, 120-277VAC P20=Swivel Photocell, 120VAC P22=Swivel Photocell, 208-277VAC BU=Battery Backup, 90 Minutes

Project Information:

Project Name: _____ Fixture Type: _____

Complete Catalog #: _____ Date: _____

Comments: _____

Certification & Listings:



High Performance Lighting

The Access Fixtures ACCO 44w wall pack luminaire provides lower direct glare while increasing efficiency over full cutoff optics, and is designed to replace HID lighting systems up to 175 MH or HPS. Typical wall mounted lighting applications include retail centers, industrial parks, schools and universities, public transit and airports, office buildings and medical facilities. Mounting heights of 12 to 18 feet can be used based on light level and uniformity requirements.

Specifications and Features:

Housing:

Die Cast Hinged and Gasketed Aluminum Front Frame and Housing with 1/2" Coin Plugs, Stainless Steel Hinge Pins, Safety Cable to Prevent Glass Impact During Installation, Nickel-Plated Stainless Steel Hardware.

Listing & Ratings:

CSA: Listed for Wet Locations, ANSI/UL 1598, 8750; IP65 Sealed LED Compartment.

Finish:

Textured Architectural Bronze Powdercoat Finish Over a Chromate Conversion Coating. Custom Colors Available Upon Request.

Lens:

Prismatic Borosilicate Glass Lens.

Mounting Options:

Cast-in Template for Mounting Directly Over a 4" Recessed Outlet Box, or Use 1/2" Surface Conduit.

LED:

Aluminum Boards

Wattage:

Array: 37.2w, System: 44w; (175w HID Equivalent)

Driver:

Electronic Driver, 120-277V, 50/60Hz or 347-480V, 50/60Hz; Less Than 20% THD and PF>0.90. Standard Internal Surge Protection 6kV. 0-10V Dimming Standard for a Dimming Range of 100% to 10%; Dimming Source Current is 150 Microamps.

Controls:

Fixtures Ordered with Factory-Installed Photocell or Motion Sensor Controls are Internally Wired for Switching and/or 1-10V Dimming Within the Housing. Remote Direct Wired Interface of 1-10V Dimming is Not Implied and May Not Be Available, Please Consult Factory. Fixtures are Tested with AF Controls and May Not Function Properly With Controls Supplied By Others. Fixtures are NOT Designed for Use with Line Voltage Dimmers.

Warranty:

5-Year Warranty for -40°C to +40°C Environment.

See Page 2 for Projected Lumen Maintenance Table.

Accessories & Replacement Parts:



Accessories (Order Separately, Field Installed)

AF33XWPA15WG Wire Guard, Stainless Steel Construction, Includes Hardware.

Replacement Parts (Order Separately, Field Installed)

AF33XP18110 110-130V, 120VAC Pencil Photocell

AF33XP18112 208-277V, 240VAC Pencil Photocell

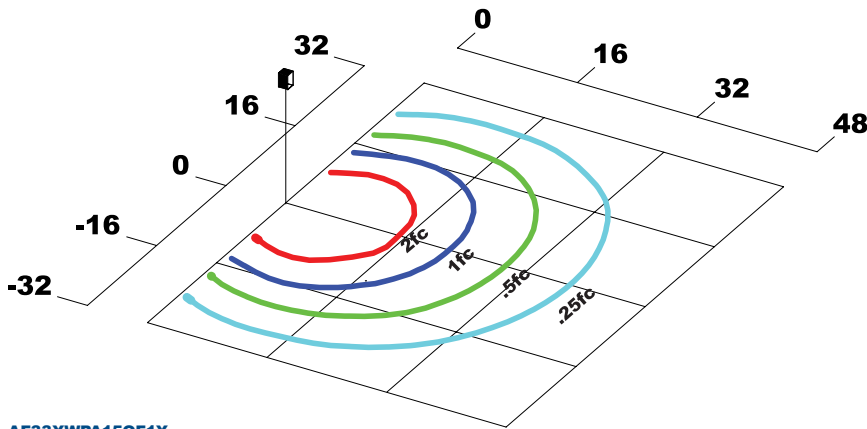
AF33XP18114 120-277V, 50/60Hz Pencil Photocell

AF33XP18120 110-130V, 120VAC Swivel Photocell

AF33XP18122 208-277V, 240VAC Swivel Photocell

For Replacement Battery Backup, see the LED Battery Backup Specification Sheet.

Photometric Data



AF33XWPA15QF1X
37U5K Type IV
Grid in MH
MH=16 Feet

Photometric Performance

5000 CCT 80 CRI

LED Board Watts	Drive Current (mA)	Input Watts	Optics	Lumens	LPW	B	U	G
37w	116.5	44	Type IV	3,433	78	1	3	3

Projected Lumen Maintenance

Data shown for 5000 CCT			Compare to MH			
TM-21-11	Input Watts	Initial	25,000 Hrs	50,000 Hrs	100,000 Hrs	Calculated L70@ 25°C
L70 Lumen Maintenance @ 25°C / 77°F	44	1.00	0.94	0.88	0.77	129,000
TM-21-11	Input Watts	Initial	25,000 Hrs	50,000 Hrs	100,000 Hrs	Calculated L70@ 50°C
L70 Lumen Maintenance @ 50°C / 122°F	44	1.00	0.89	0.78	0.57	69,000
TM-21-11	Input Watts	Initial	25,000 Hrs	50,000 Hrs	100,000 Hrs	Calculated L80@ 40°C
L80 Lumen Maintenance @ 40°C / 104°F	44	1.00	0.91	0.82	0.65	57,000

NOTES:

- Projected per IESNA TM-21-11. Data references the extrapolated performance projections for the 116.5mA base model in a 25°C ambient, based on 10,000 hours of LED testing per IESNA LM-80-08.
- Compare to MH box indicates suggested Light Loss Factor (LLF) to be used when comparing to Metal Halide (MH) systems.