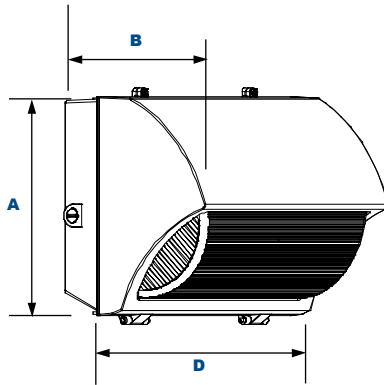


AF33XWPA25Q

L70
25°C

144,000 Hours

ACCO 69w LED Wall Pack



Dimensions

Width (D)	16½" (419mm)
Length (B)	10½" (267mm)
Height (A)	13" (330mm)

High Performance Lighting

The Access Fixtures ACCO wall pack luminaire provides lower direct glare while increasing efficiency over full cutoff optics, and is designed to replace HID lighting systems from 250w to 400 MH or HPS. Typical wall mounted lighting applications include retail centers, industrial parks, schools and universities, public transit and airports, office buildings and medical facilities. Mounting heights of 18 to 30 feet can be used based on light level and uniformity requirements.

Specifications and Features:

Housing:

Die Cast Hinged and Gasketed Aluminum Front Frame and Housing with ½" Coin Plugs, Stainless Steel Hinge Pins, Safety Cable to Prevent Glass Impact During Installation, Nickel-Plated Stainless Steel Hardware.

Listing & Ratings:

CSA: Listed for Wet Locations, ANSI/UL 1598, 8750; IP65 Sealed LED Compartment.

Finish:

Textured Architectural Bronze Powdercoat Finish Over a Chromate Conversion Coating. Custom Colors Available Upon Request.

Lens:

Prismatic Borosilicate Glass Lens.

Mounting Options:

Cast-in Template for Mounting Directly Over a 4" Recessed Outlet Box, or Use ½" Surface Conduit. Includes Easy-Hang "Two Hands Free" Wall-Mounting Plate with Leveling Device on Back.

LED:

Aluminum Boards

Wattage:

Array: 57.8w, System: 68.6w; (400w HID Equivalent)

Driver:

Electronic Driver, 120-277V, 50/60Hz or 347-480V, 50/60Hz; Less Than 20% THD and PF>0.90. Standard Internal Surge Protection 6kV. 0-10V Dimming Standard for a Dimming Range of 100% to 10%; Dimming Source Current is 150 Microamps.

Controls:

Fixtures Ordered with Factory-Installed Photocell or Motion Sensor Controls are Internally Wired for Switching and/or 1-10V Dimming Within the Housing. Remote Direct Wired Interface of 1-10V Dimming is Not Implied and May Not Be Available, Please Consult Factory. Fixtures are Tested with AF Controls and May Not Function Properly With Controls Supplied by Others. Fixtures are NOT Designed for Use with Line Voltage Dimmers.

Warranty:

5-Year Warranty for -40°C to +40°C Environment.

See Page 2 for Projected Lumen Maintenance Table.

Order Information Example:

AF33XWPA25QF1X58U5KZSP

Model	Optics	Wattage	Driver	CCT	Color	Options
AF33XWPA25Q=E asyLED Large Accord Semi-Cutoff Wall Pack	F=Type IV	1X58=58w	U=120-277V H=347-480V	5K=5000K	Z=Bronze C=Custom (Consult Factory)	SF=Single Fuse DF=Double Fuse SP=Surge Protection PC1=Photocell, 120VAC PC3=Photocell, 120-277VAC BU=Battery Backup, 90 Minutes

Project Information:

Project Name: _____ Fixture Type: _____

Complete Catalog #: _____ Date: _____

Comments: _____

Certification & Listings:



