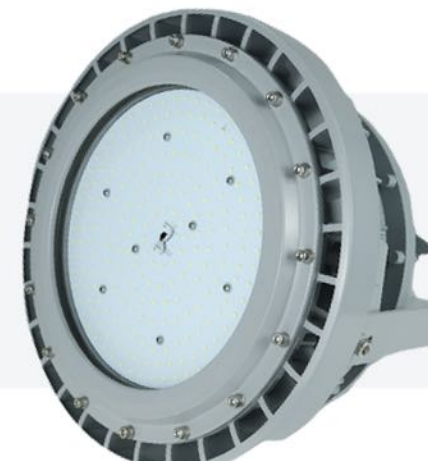


CAHL

LED HIGH BAY/ AREA/ HAZARDOUS LOCATION LIGHTS



Explosion and hazardous location resistant:

The CAHL fixture provides robust protection against explosions and hazardous environments. Explore the features for comprehensive details.

Weight Advantage:

Crafted from lightweight die-cast aluminum, this fixture offers an exceptional weight-to-size ratio.

Cost Effective and Efficient:

Despite being budget-friendly, this explosion-proof fixture boasts an impressive output of 140 lumens per watt, demonstrating outstanding efficiency.

FEATURES

- Working Temperature: -40°C ~ +60°C.
- IECEX: -40°C ~ +80°C.
- High quality SMT LED and Meanwell Driver.
- Light-weight design by aircraft aluminum.
- Heavy-duty and high impact resistance.
- Three connection cable entry points.
- Replaceable LED board and drivers.
- Integrated junction box for driver with emergency back up.
- Dimmable and battery back up function available.
- Marine rating powder coated appearance treatment.
- Up to 5 years limited warranty option.
- Emergency Battery back up to three hours.
- Various installation ways for different applications.
- Glass lens or Glass with polycarbonate lens to make bigger beam angle.

CERTIFICATION FEATURES

- Marking Atex
- I/2 G Ex db op is IIB T5/T6 Gb
- I/2 D Ex op is tb IIIC T80/90C Db Ip66
- Marking IECEX
- Ex db op is IIB T5/T6 Gb
- Ex op is tb IIIC T80/ 90C Db IP66
- Marking UL844 (North American)
- Class I, Division 1, Groups C, D
- Class I, Division 2, Groups A, B, C, D
- Class II, Division 1, Groups E, F, G
- Class II, Division 2, Groups F, G
- Class III
- Marine Marking
- UL 1598A
- ABS
- Other Rating
- IP 66
- IK 10



Materials

- Housing: Aluminum
- Hardware: stainless steel
- Lens: Tempered glass
- Mounting Bracket: stainless steel



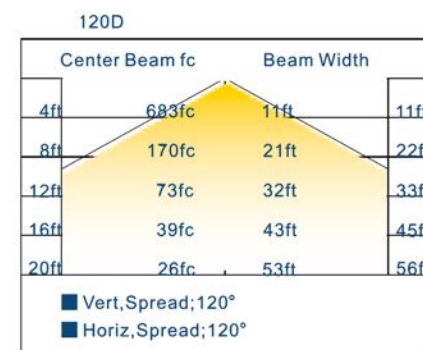
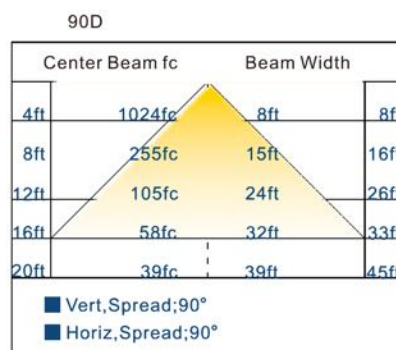
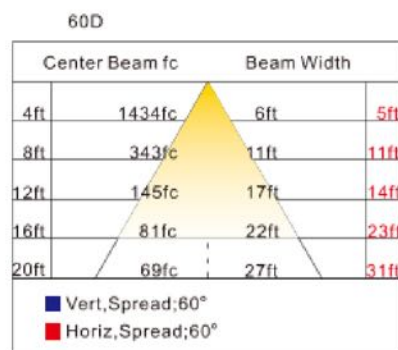
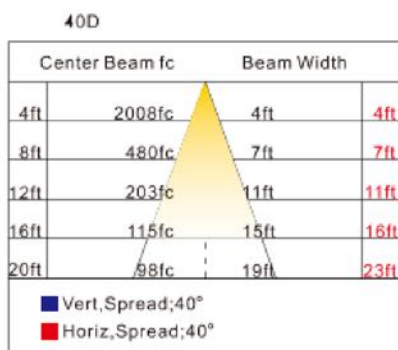
SPECIFICATION

Model	Wattage	Color Temperature	Voltage	Lumens	Warranty	CRI
AF87XE X-20W C2YZDA	20W	5000K	AC100-277V	2800	5 years 10 years [optional]	80
AF87XE X-60W C2YZDA	60W			8400		
AF87XE X-80W C2YZDA	80W			11200		
AF87XEX -100W CYZDA	100W			14000		
AF87XEX -150W CYZDA	150W			21000		
AF87XEX -200W C3YZDA	200W			28000		
AF87XEX -250W C3YZDA	250W			35000		
AF87XEX -280W C3YZDA	280W			39200		

PACKING INFORMATION

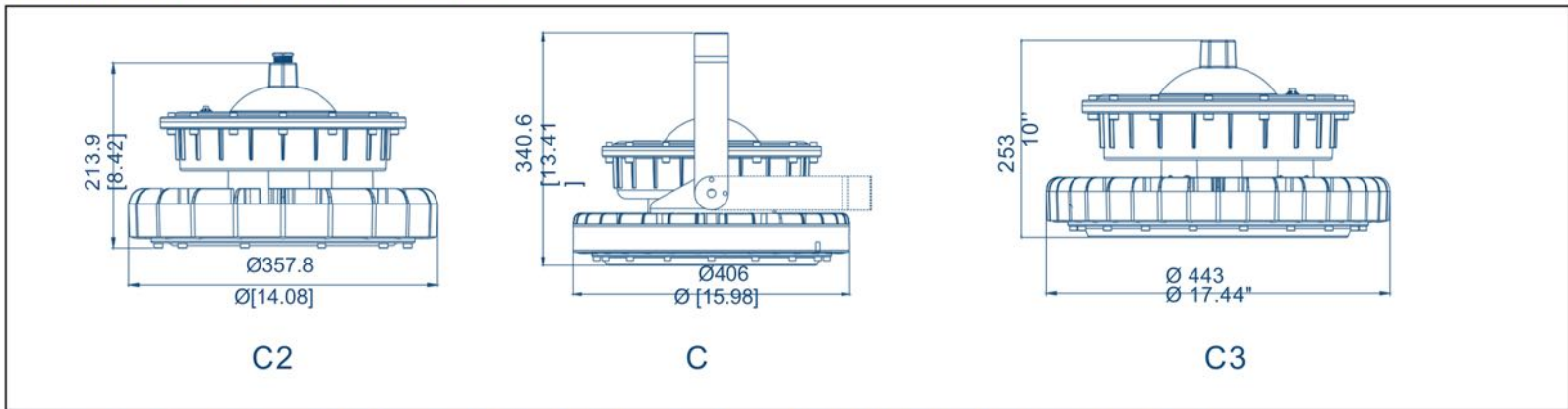
Model	Quantity/Carton	Length(cm)	Width (cm)	Height(cm)	Net weight(kg)	Gross weight(kg)
C	1	55	52	36	17.4	19
C2	1	47	47	34.5	14	16
C3	1	55.5	55.5	34.5	21	25

LIGHT DISTRIBUTION

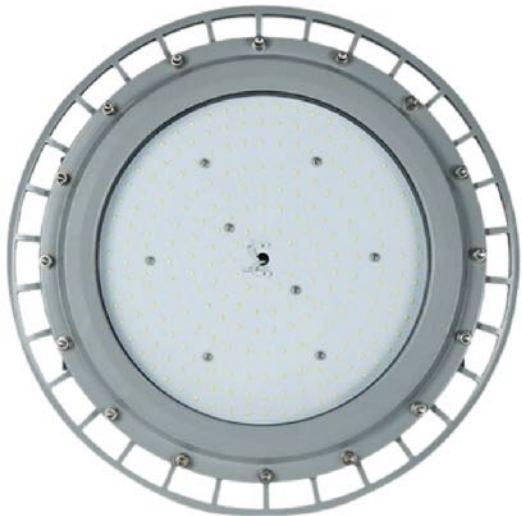


DIMENSIONS Unit: mm or inch

Housing Option A: Bracket and Flat Glass Lens



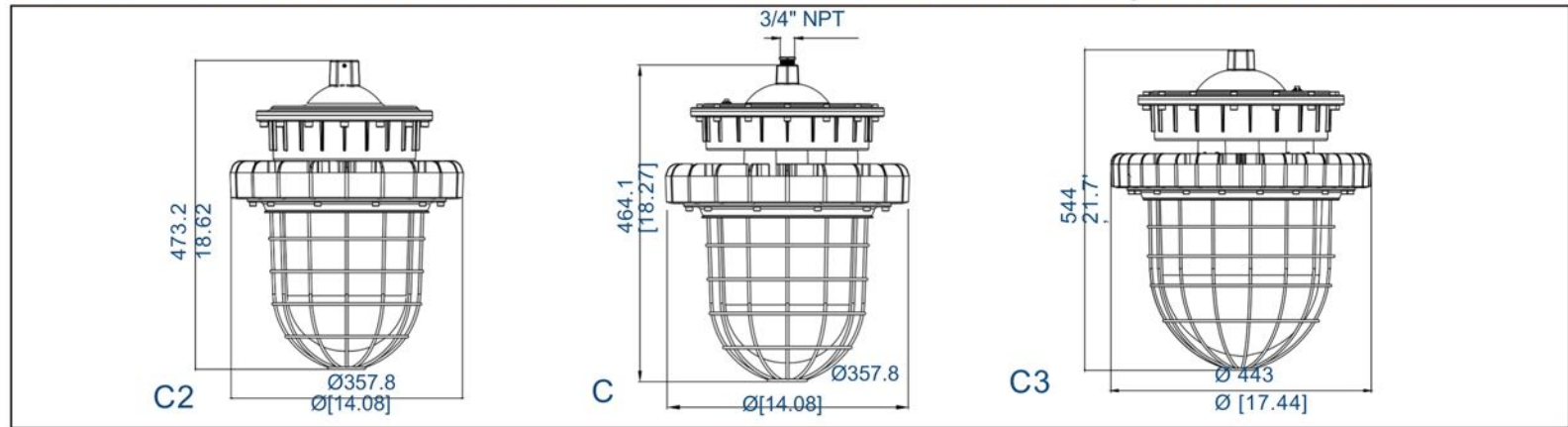
This structure type with bracket, flat glass and optics lens generates 40°, 60°, 90° and 120° light distribution options.



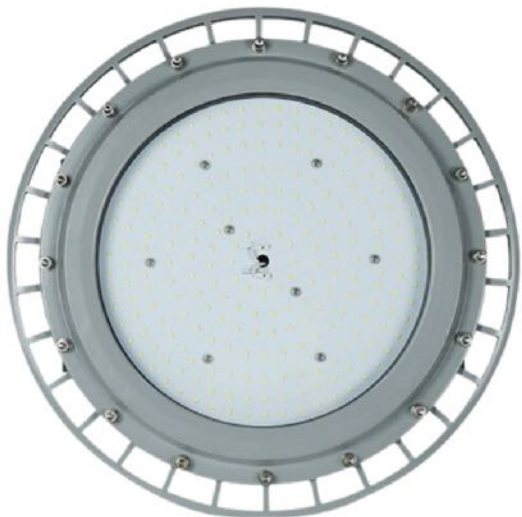
Housing Option B:

1, Bracket, Global Glass Lens, Wireguard and flat LED module.

2, Bracket, Global Glass Lens, Wireguard and LED corn bulb.

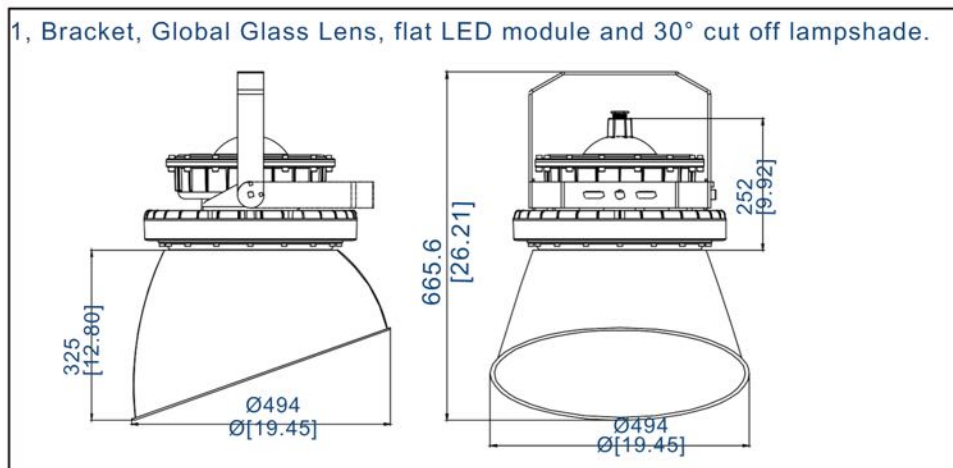


This structure type with bracket, global glass lens and wireguard generates 180° light distribution.



Housing Option C

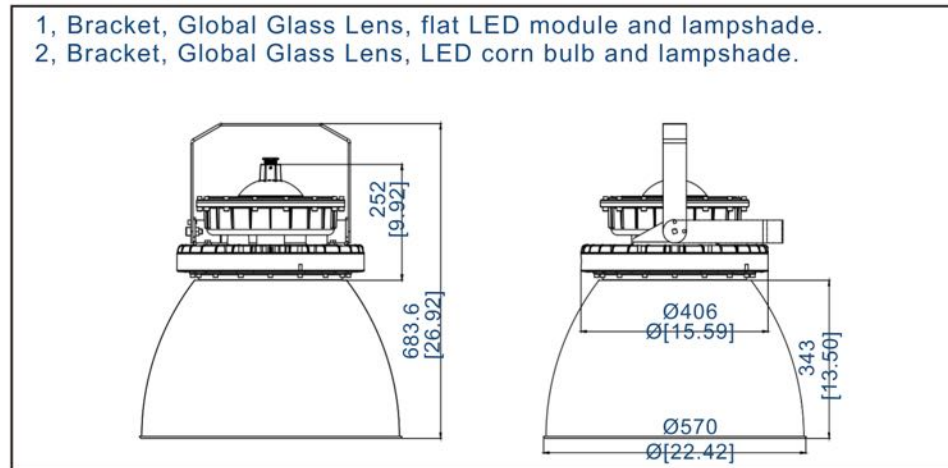
1, Bracket, Global Glass Lens, flat LED module and 30° cut off lampshade.



This structure can make the lighting distribution more concentrated for special beam angle.

Housing Option D

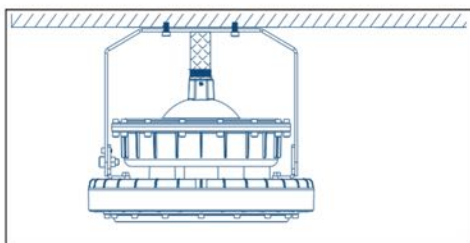
1, Bracket, Global Glass Lens, flat LED module and lampshade.
2, Bracket, Global Glass Lens, LED corn bulb and lampshade.



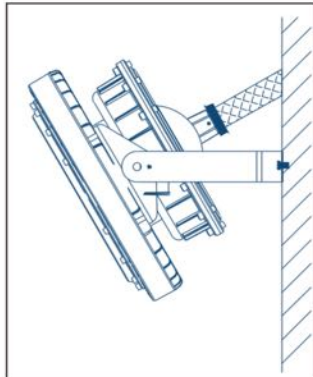
This structure can make the lighting distribution more concentrated.

MOUNTING

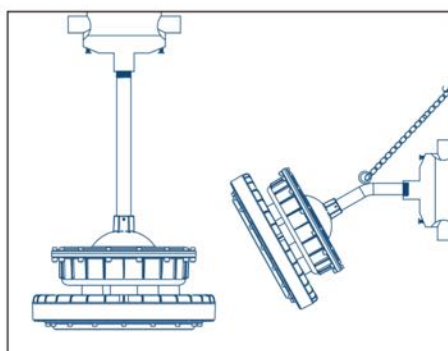
No.1: Ceiling Mounting



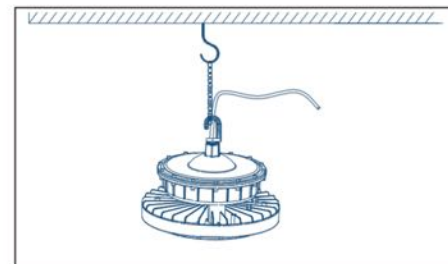
No.2: Wall Mounting



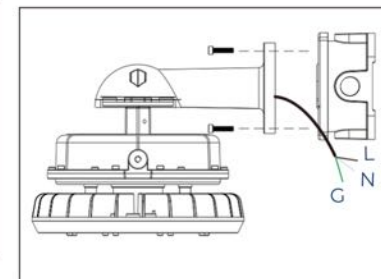
No.3: Pole Mounting



No.4: Hook Pendant Mounting



No.5: Wall Mounting to Junction Box



ACCESSORIES



● Model: AF87XEXJunction01
Name: Junction Box
Material: Aircraft Aluminum A383



● Model: AF87XEXHook
Name: Installation Hook
Material: Aircraft Aluminum A383



● Model: AF87XEXConduit01
Name: Metal Conduit
Material: Stainless Steel and Aluminum



● Model: AF87XEXWPipe
Name: Winding Swing Pipe
Material: Iron with Power Coating



● Model: AF87XEXSPipe
Name: Winding Swing Pipe
Material: Iron with Power Coating



● Model: AF87XEXD01
Name: Pendant Direction Adapter
Material: Aircraft Aluminum A383



● Model: AF87XEXMArm
Name: Surface Mounting Arm
Material: Aircraft Aluminum A383



● Model: AF87XEX25PSupport
Name: 25 Degree Pole Support
Material: Aircraft Aluminum A383



● Model: AF87XEX90PSupport
Name: 90 Degree Pole Support
Material: Aircraft Aluminum A383



● Model: AF87XEX90JSupport
Name: 90° Arm to Junction box
Material: Aircraft Aluminum A383



● Model: AF87XEX25JSupport
Name: 25° Arm to Junction box
Material: Aircraft Aluminum A383



● Model: AF87XEXDArm
Name: Direct Mounting Arm
Material: Aircraft Aluminum A383



● Model: Ex-ShadeB/B2/B3
Name: Lamp Shade
Material: Aluminum A6061



● Model: Ex-CshadeB/B2/B3
Name: Cut off lamp shade
Material: Aluminum A6061



● Model: AF87XEXChain
Name: Pendant Chain
Material: Stainless Steel S30400

